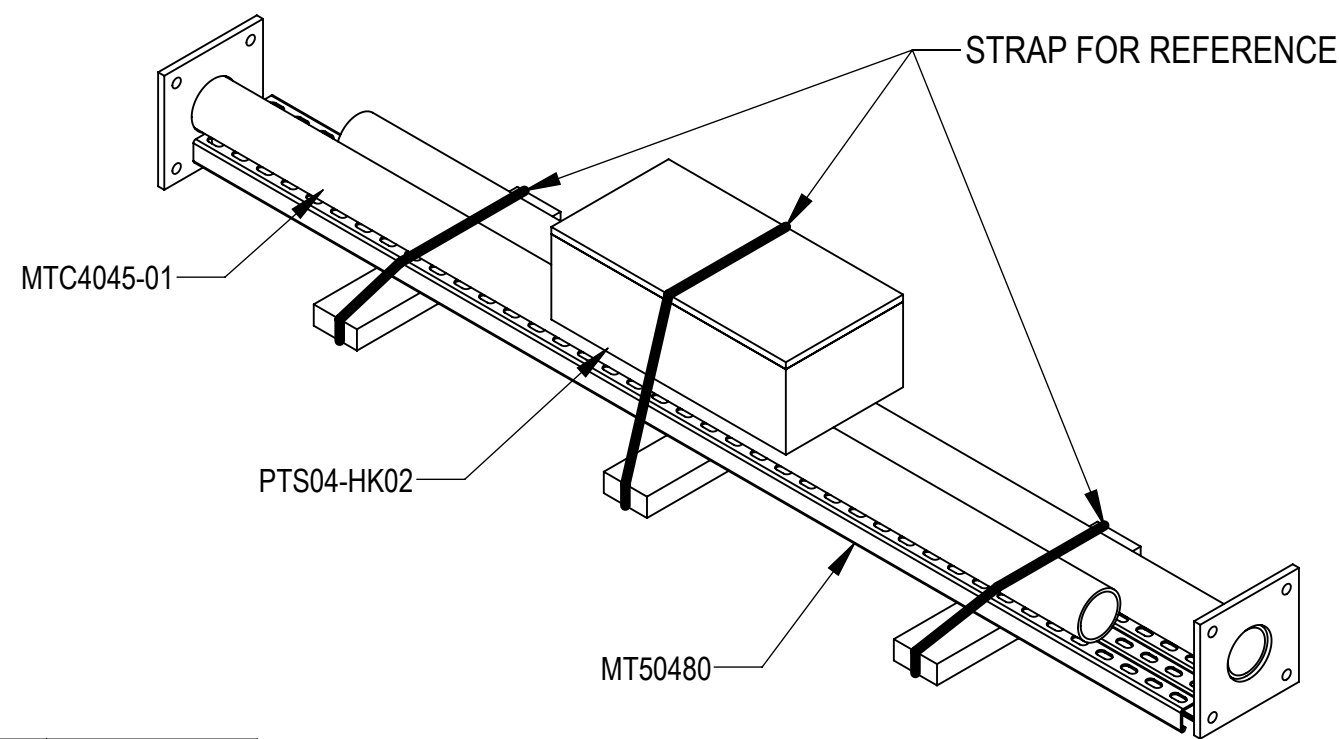
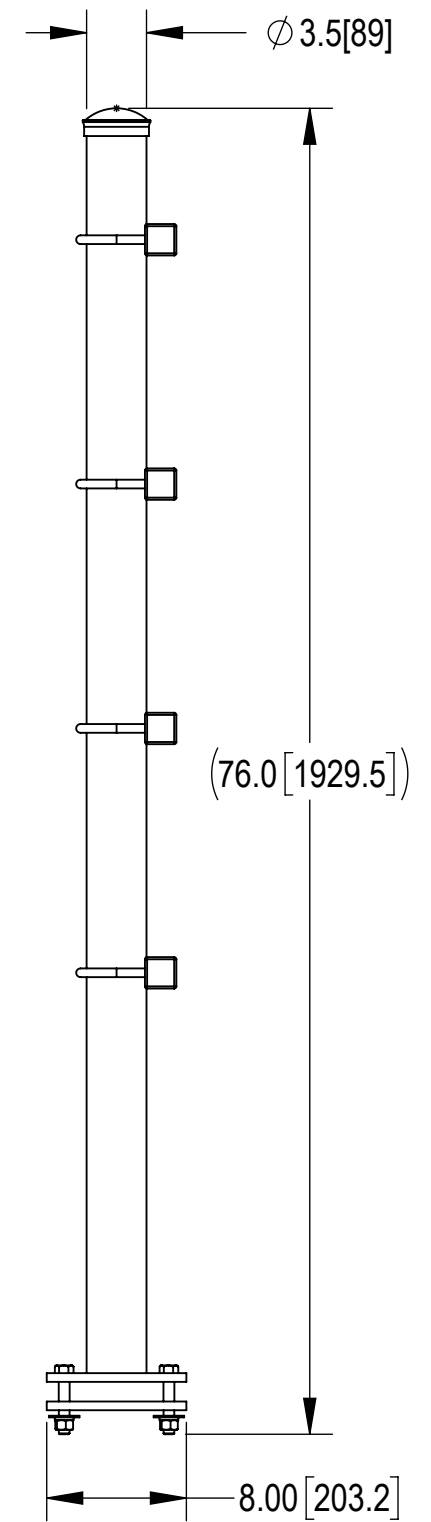
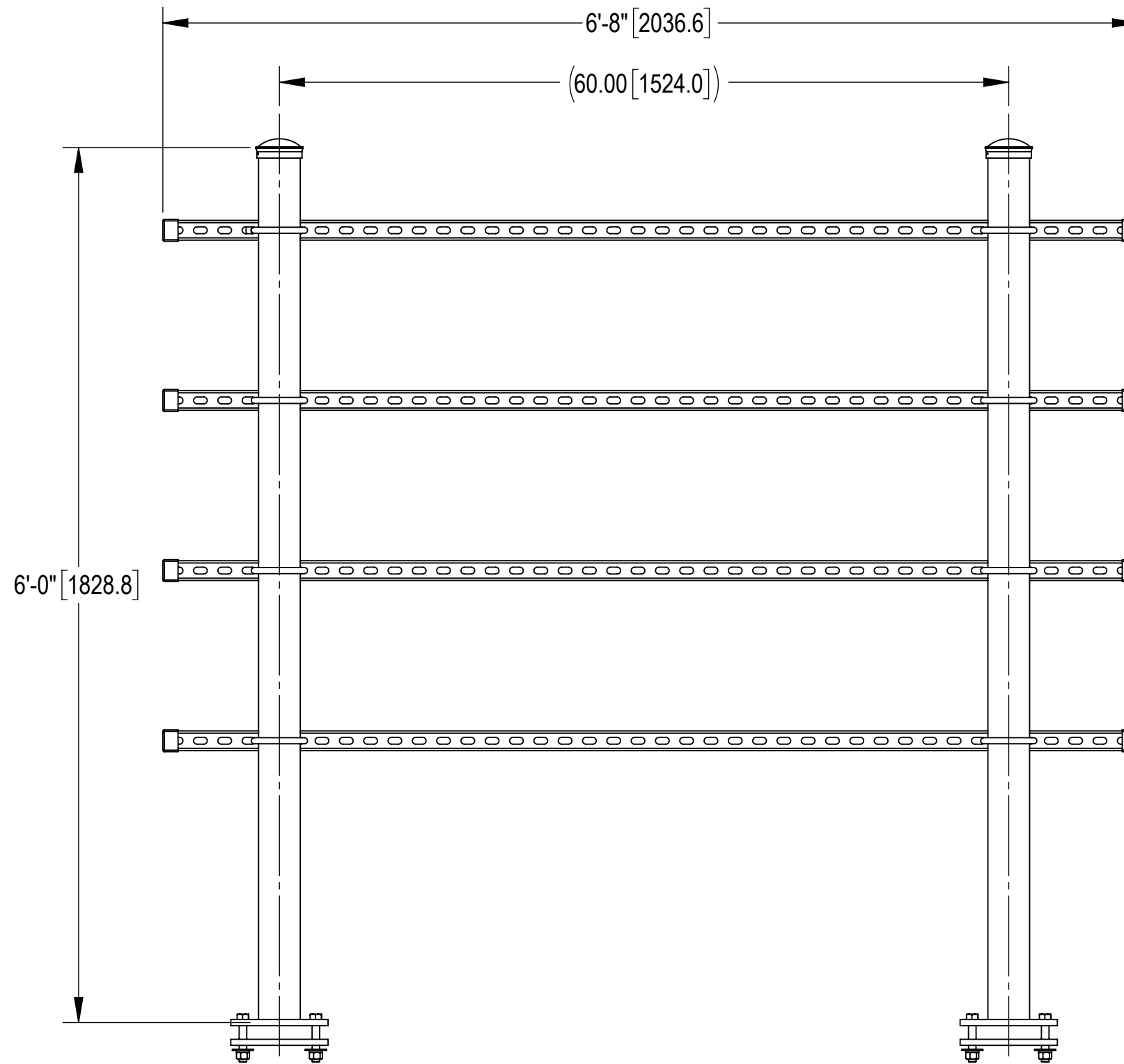
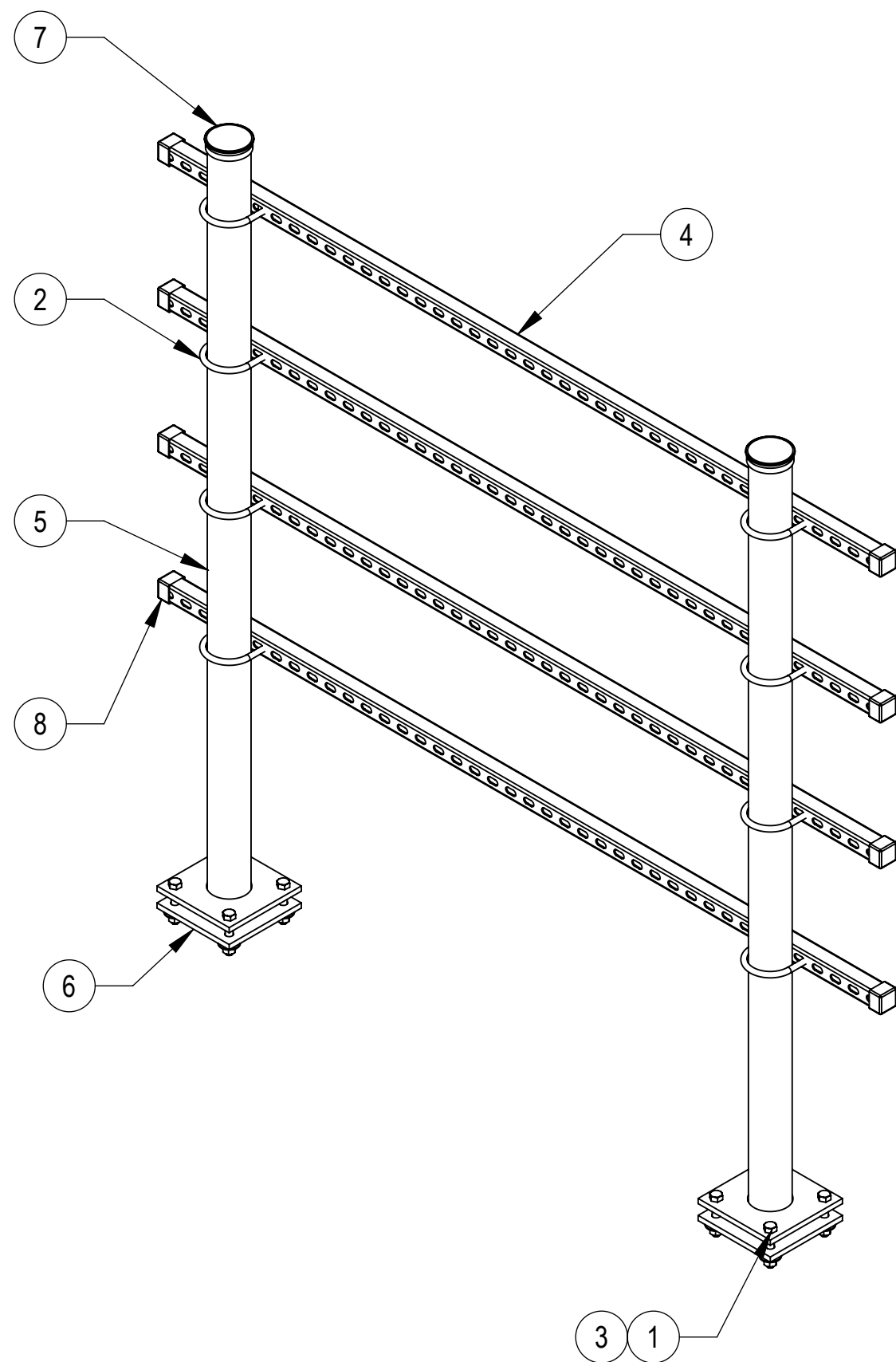


- 1.0 GENERAL NOTES
 1.1 ALL METRIC DIMENSIONS ARE IN BRACKETS [X.X]
 1.2 FOR PATENT INFO: <https://www.cs-pat.com>
 2.0 DESIGN NOTES
 3.0 MANUFACTURING/SPECIAL REQUIREMENTS
 3.1 TIGHTEN ALL BOLTS SECURING FLAT PLATES BY THE TURN-OF-NUT METHOD. TIGHTEN ALL U-BOLTS USING TURN-OF-NUT METHOD WITH ATTENTION TO LEAVE EQUAL DISTANCE AND EQUAL FORCE ON EACH LEG OF THE U-BOLT.
 4.0 TEST
 5.0 PACKAGING
 5.1 PACKAGING SHALL MEET COMMSCOPE REQUIREMENTS PER DOCUMENT IS-PL-3005
 5.2 PRINTED DOCUMENT TO BE PLACED INSIDE POLYBAG AND THEN IN SHIPPING CONTAINER
 5.3 EXTRA HARDWARE MAY BE SUPPLIED, BAGGED AND SHIPPED

REVISIONS			
REV.	DESCRIPTION	DATE	APPROVED
A	INITIAL RELEASE	LS1146 21MAY16	XK1001 40195933CMO



COMPONENT PART NUMBERS PROVIDED FOR ASSEMBLY PURPOSES;
 INDIVIDUAL COMPONENTS MAY BE SHIPPED AS PARTS WITHIN AN INCLUDED KIT.

ITEM	PART NO.	DESCRIPTION	QTY.	WEIGHT	NOTE NO.
1	GB-05345	5/8" X 3-1/2" GALV BOLT KIT	8	0.39 LBS	
2	GUB-4355	1/2" X 3-5/8" X 5" GALV U-BOLT	8	0.71 LBS	
3	GW-05	5/8" GALV FLAT WASHER, 1.70D	8	0.06 LBS	
4	MT50480	UNISTRUT, SLOTTED, GALV, 1-5/8 SQ X 80"	4	13.56 LBS	
5	MTC4045-01	WELDMENT, 6' PIPE	2	52.14 LBS	
6	MTC4045-12	BASE PLATE, 3" PIPE	2	7.47 LBS	
7	PC-034	PIPE CAP 3-1/2"	2	0.66 LBS	
8	PTCR01	END CAP	8	0.05 LBS	

PACKING VIEW

DENSITY	185.46	lbs/in ³
MASS	659.18	lbs
VOLUME	7246.25	in ³
SURFACE AREA	7246.25	in ²
HEIGHT	76.0"	
LENGTH	80.0"	
WIDTH	8.0"	

© 2024 CommScope, Inc. Confidential

COMMSCOPE, INC. OF NORTH CAROLINA									
TOLERANCES					SAP MATERIAL MASTER				
1 PLACE .X[X] ± 0.2[6.3]		3 PLACE .XXX[X] ± 0.060[1.5]			PT-S-0606-04				
2 PLACE .XX[X] ± 0.12[3.0]		ANGLES ± 2°							
FINISH					MATERIAL				
UNLESS OTHERWISE SPECIFIED DIMENSIONS ARE IN INCHES INTERPRET PER ANSI Y 14.5M-1994									
NAME	DATE	TITLE							
CE LS1146	21MAY24	H-FRAME BS 6'TALL 6'WIDE 4-RUNGS							
RW LS1146	05/29/2024								
AD XK1001	05/29/2024								
RE YMENG	05/29/2024								
ECN 40195933CMO		SCALE 1:11		DOCUMENT NO. PT-S-0606-04					
SIZE	Auth Group	INSL	MODEL			DRAWING			
C			VERSION	STATUS	REVISION	VERSION	STATUS	REVISION	SHEET
			00	IW	A	00	RE	A	1 OF 2

4

3

2

1

D

D

C

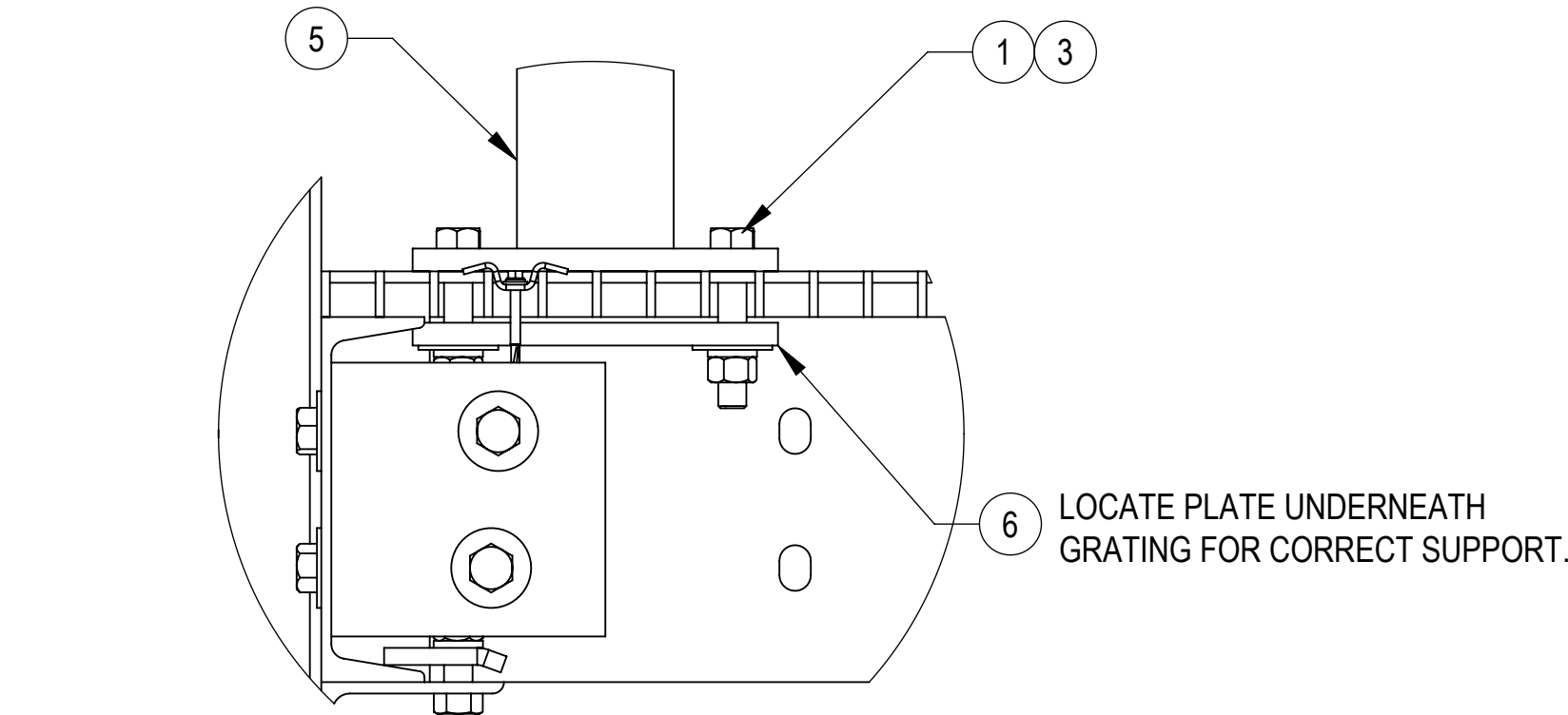
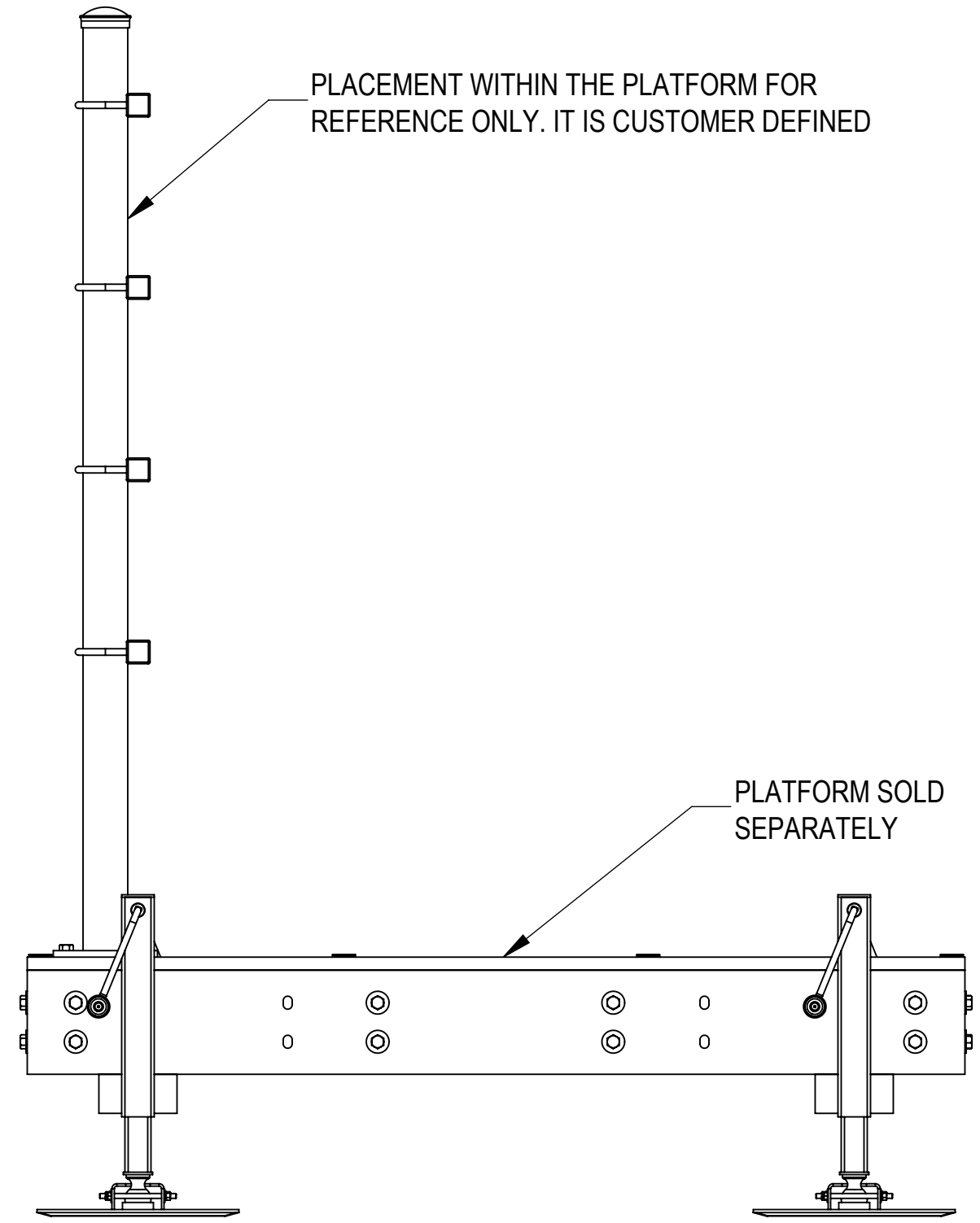
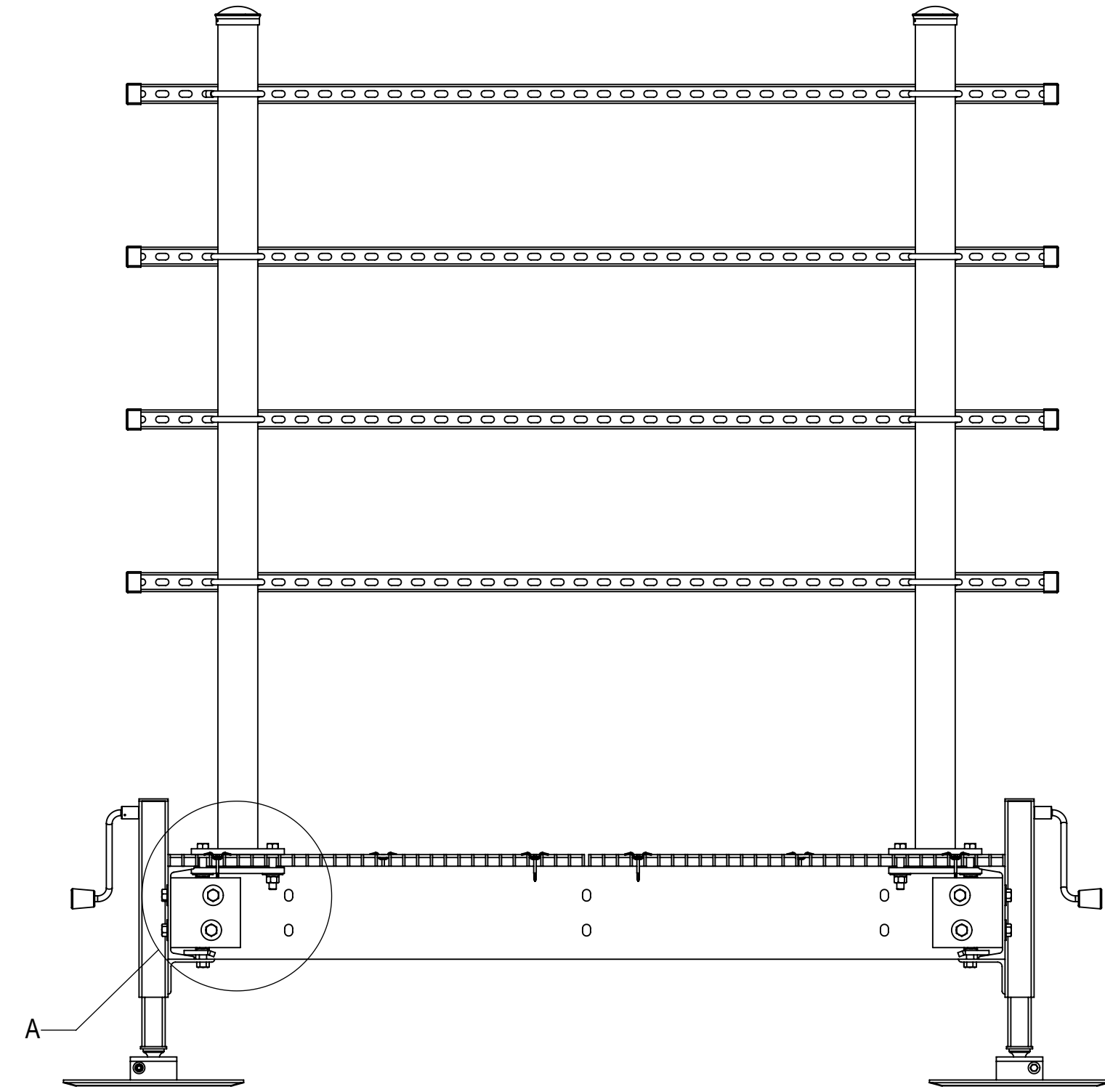
C

B

B

A

A



DETAIL A
SCALE 1 : 4

COMMSCOPE, INC. OF NORTH CAROLINA				
TITLE H-FRAME BS 6'TALL 6'WIDE 4-RUNGS				
SIZE C	SCALE 1:12	DOCUMENT NO. PT-S-0606-04		
		DRAWING		SHEET
		VERSION 00	STATUS RE	REVISION A

4

3

2

1