

4

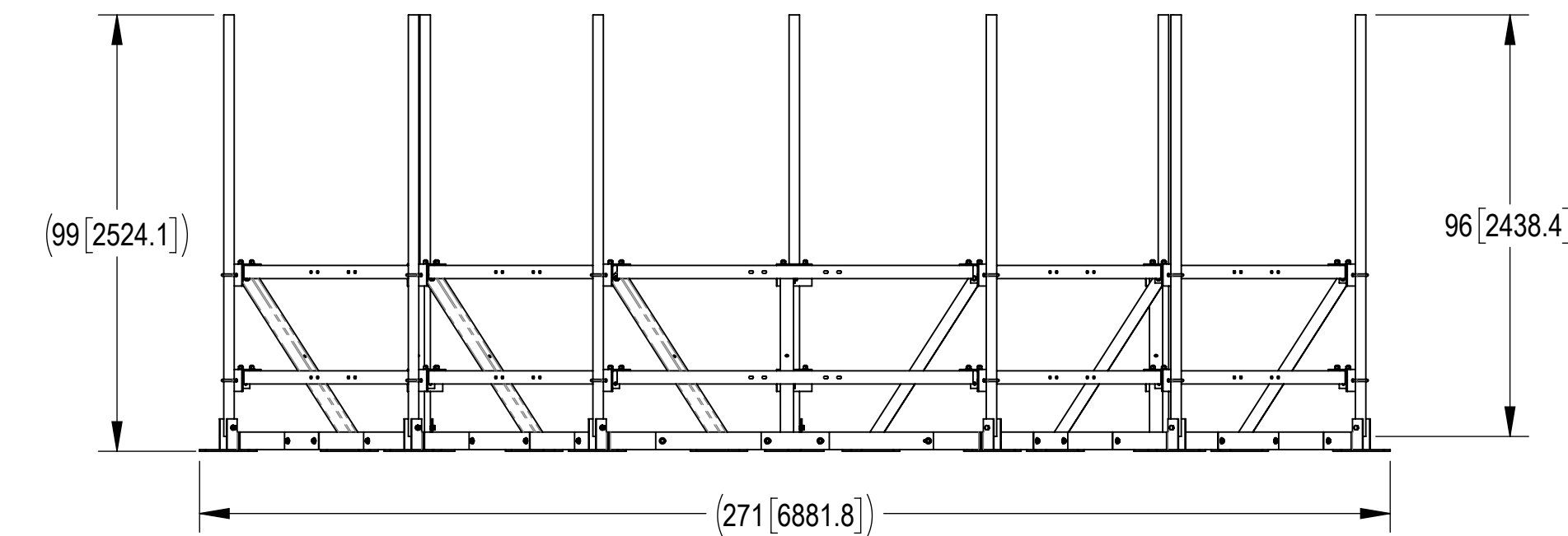
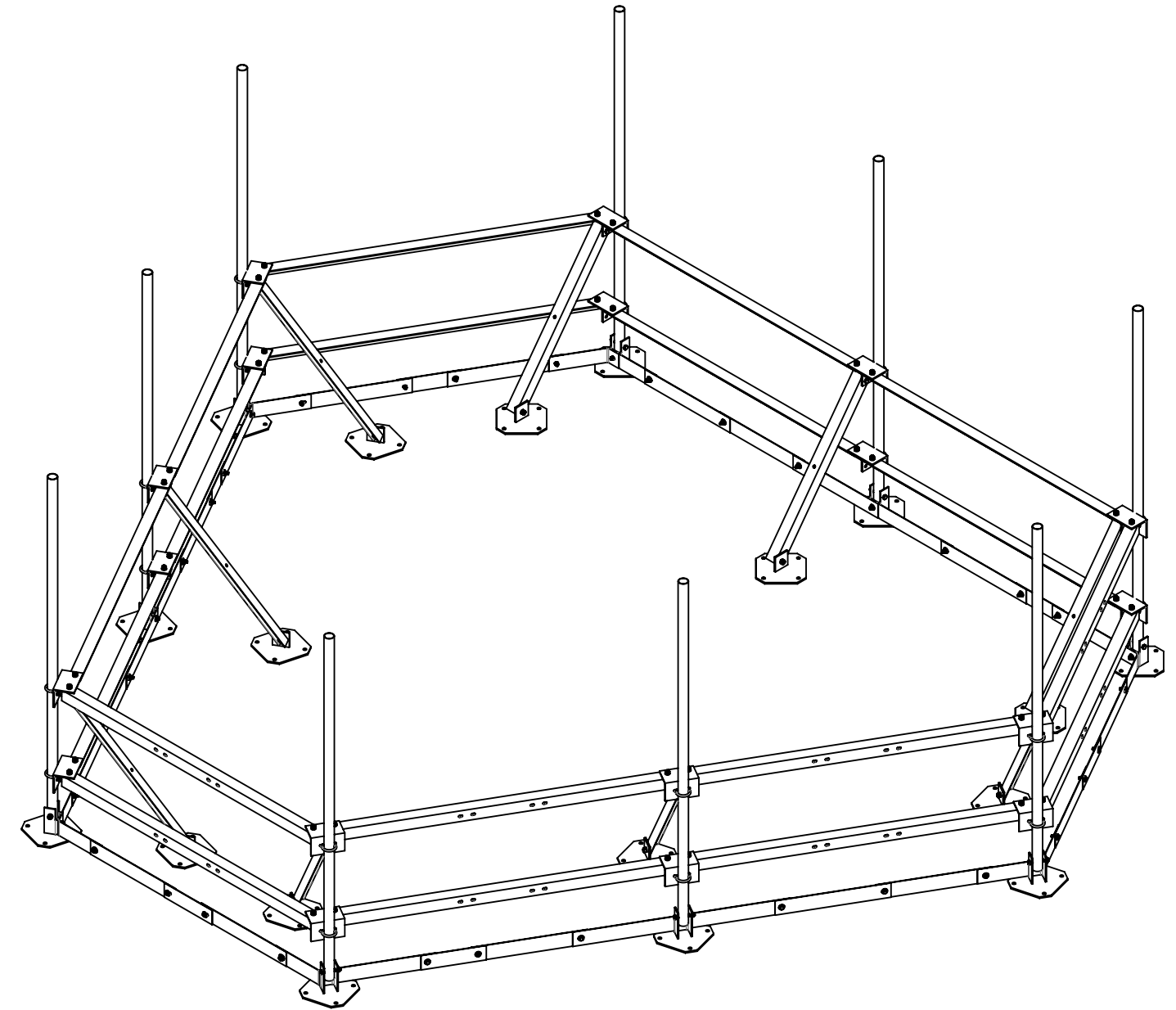
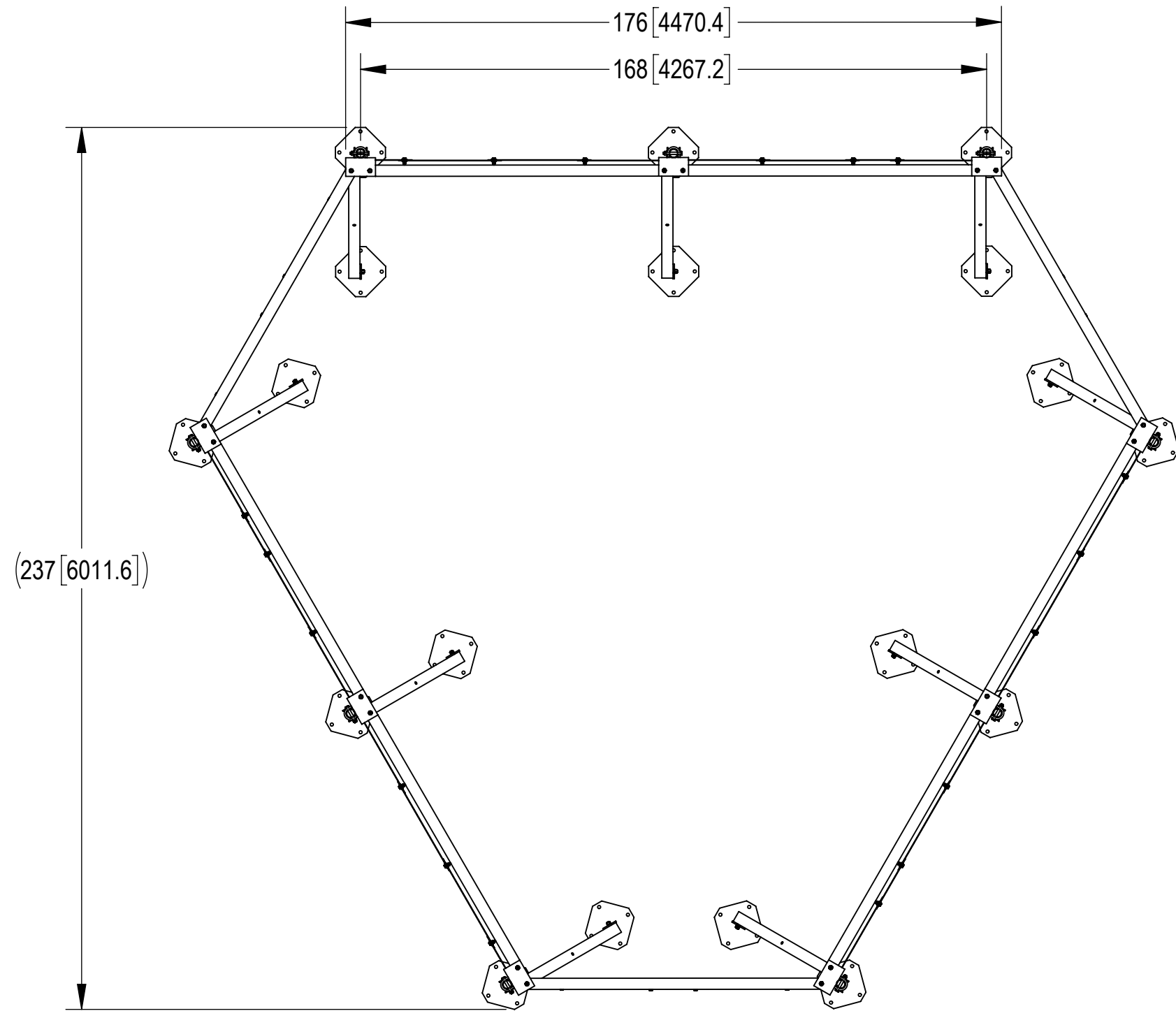
3

2

1

- 1.0 GENERAL NOTES
 - 1.1 ALL METRIC DIMENSIONS ARE IN BRACKETS [X. X]
 - 1.2 FOR PATENT INFO: <https://www.cs-pat.com>
- 2.0 DESIGN NOTES
- 3.0 MANUFACTURING/SPECIAL REQUIREMENTS
 - 3.1 TIGHTEN ALL BOLTS SECURING FLAT PLATES BY THE TURN-OF-NUT METHOD. TIGHTEN ALL U-BOLTS USING TURN-OF-NUT METHOD WITH ATTENTION TO LEAVE EQUAL DISTANCE AND EQUAL FORCE ON EACH LEG OF THE U-BOLT.
- 4.0 TEST
- 5.0 PACKAGING
 - 5.1 PACKAGING SHALL MEET COMMSCOPE REQUIREMENTS PER DOCUMENT IS-PL-3005
 - 5.2 PRINTED DOCUMENT TO BE PLACED INSIDE POLYBAG AND THEN IN SHIPPING CONTAINER
 - 5.3 EXTRA HARDWARE MAY BE SUPPLIED, BAGGED AND SHIPPED

REVISIONS			
REV.	DESCRIPTION	DATE	APPROVED
E	REDRAWN INDIVIDUAL DRAWING	RY1002 20JUN24	BA1025 40198581CMO



COMMSCOPE, INC. OF NORTH CAROLINA									
TOLERANCES			SAP MATERIAL MASTER						
1 PLACE .X[X] ± 0.2[6.3]		3 PLACE .XXX[X] ± 0.060[1.5]		WT-RTA14-9-96					
2 PLACE .XX[X] ± 0.12[3.0]		ANGLES ± 2°							
FINISH			MATERIAL						
UNLESS OTHERWISE SPECIFIED DIMENSIONS ARE IN INCHES INTERPRET PER ANSI Y 14.5M-1994	NAME	DATE	TITLE						
	CE RY1002	11JUN24	ROOF TOP ASMBLY, 14' FACE, 9 PIPE MT						
	RW RY1002	06/20/2024							
	AD YMENG	06/25/2024							
	RE RY1002	07/08/2024							
ECN 40198581CMO									
SCALE	DOCUMENT NO.								
1:36	WT-RTA14-9-96								
SIZE	Auth Group	INSL	MODEL		DRAWING				
C			VERSION	STATUS	REVISION	VERSION	STATUS	REVISION	SHEET
			01	RE	E	00	RE	E	1 OF 2

DENSITY		lbs/in ³
MASS	1570.37	lbs
VOLUME	5563.57	in ³
SURFACE AREA	53893.86	in ²
HEIGHT	99"	
LENGTH	271"	
WIDTH	237"	

4

3

2

1

4

3

2

1

D

D

C

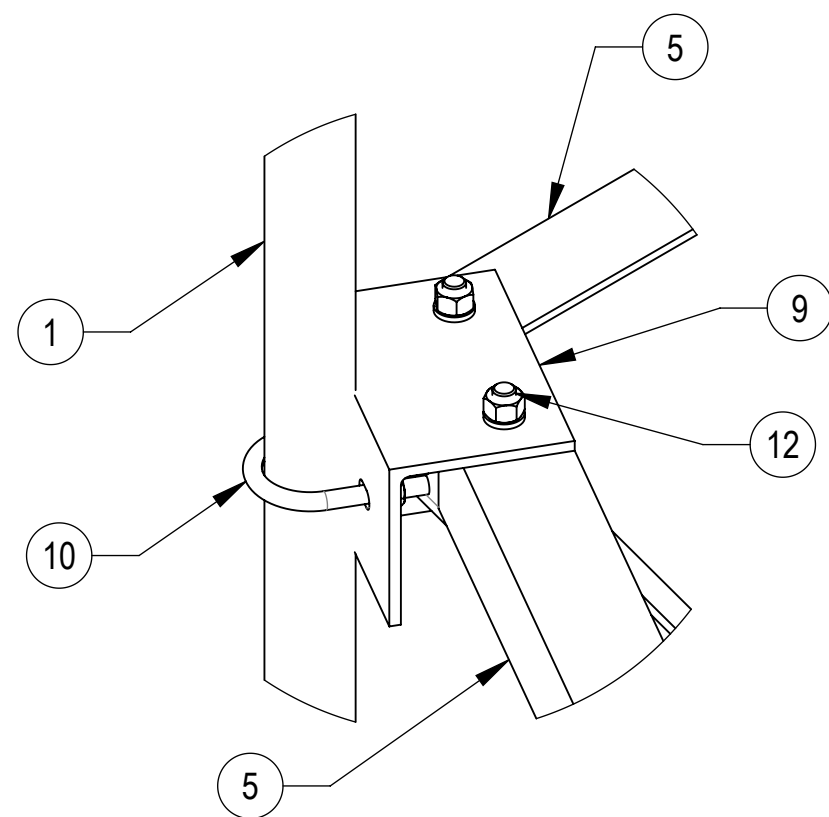
C

B

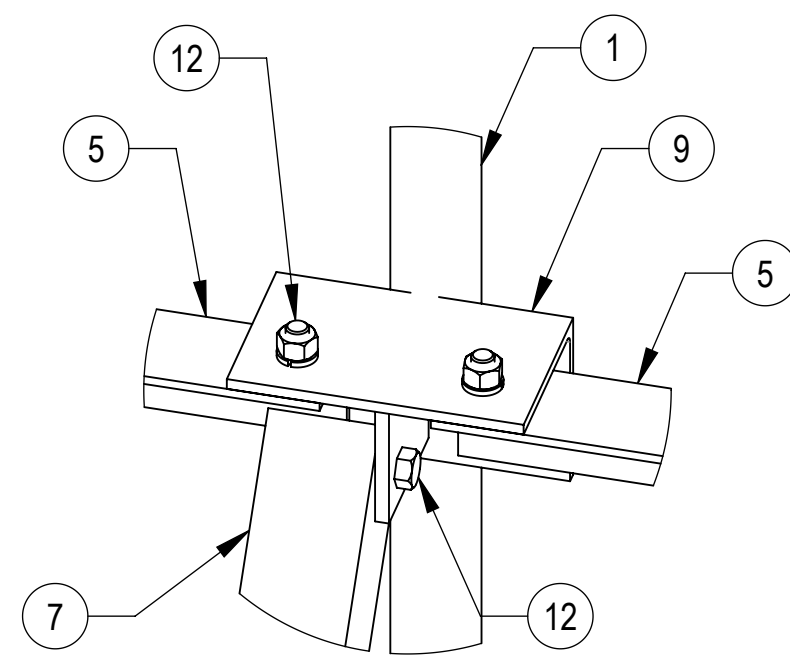
B

A

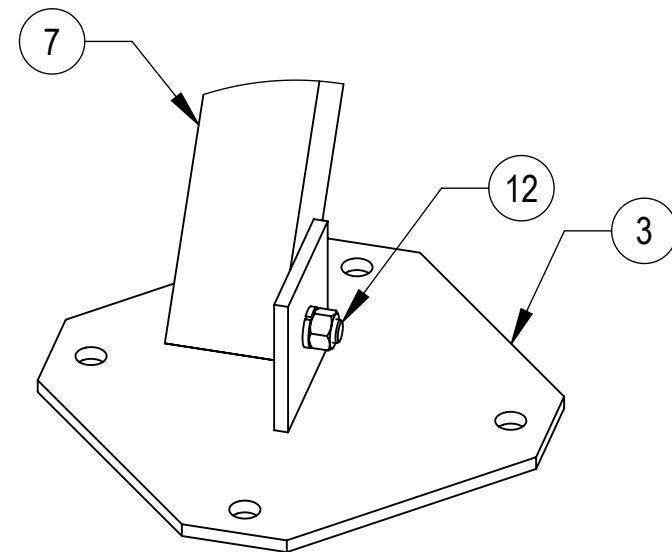
A



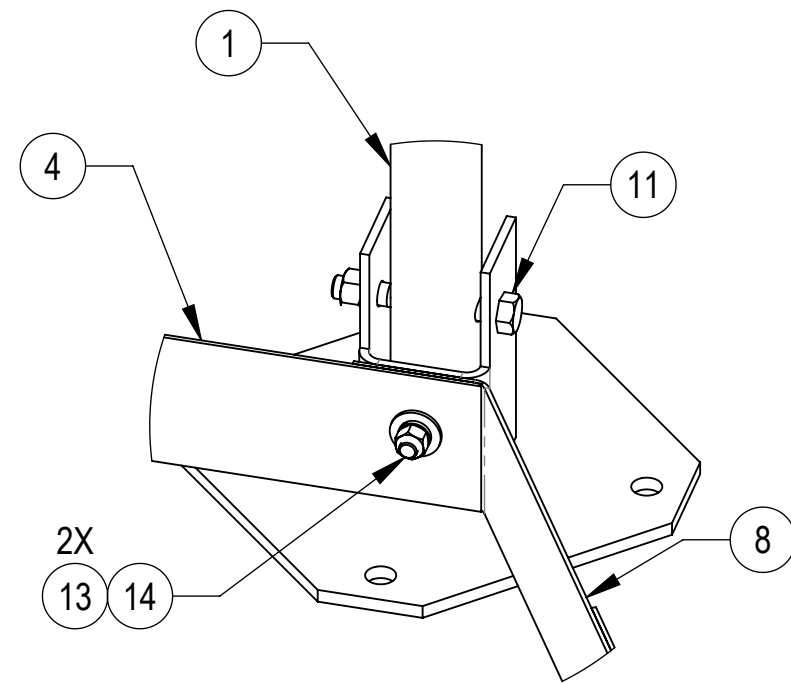
DETAIL A
SCALE 1 : 5



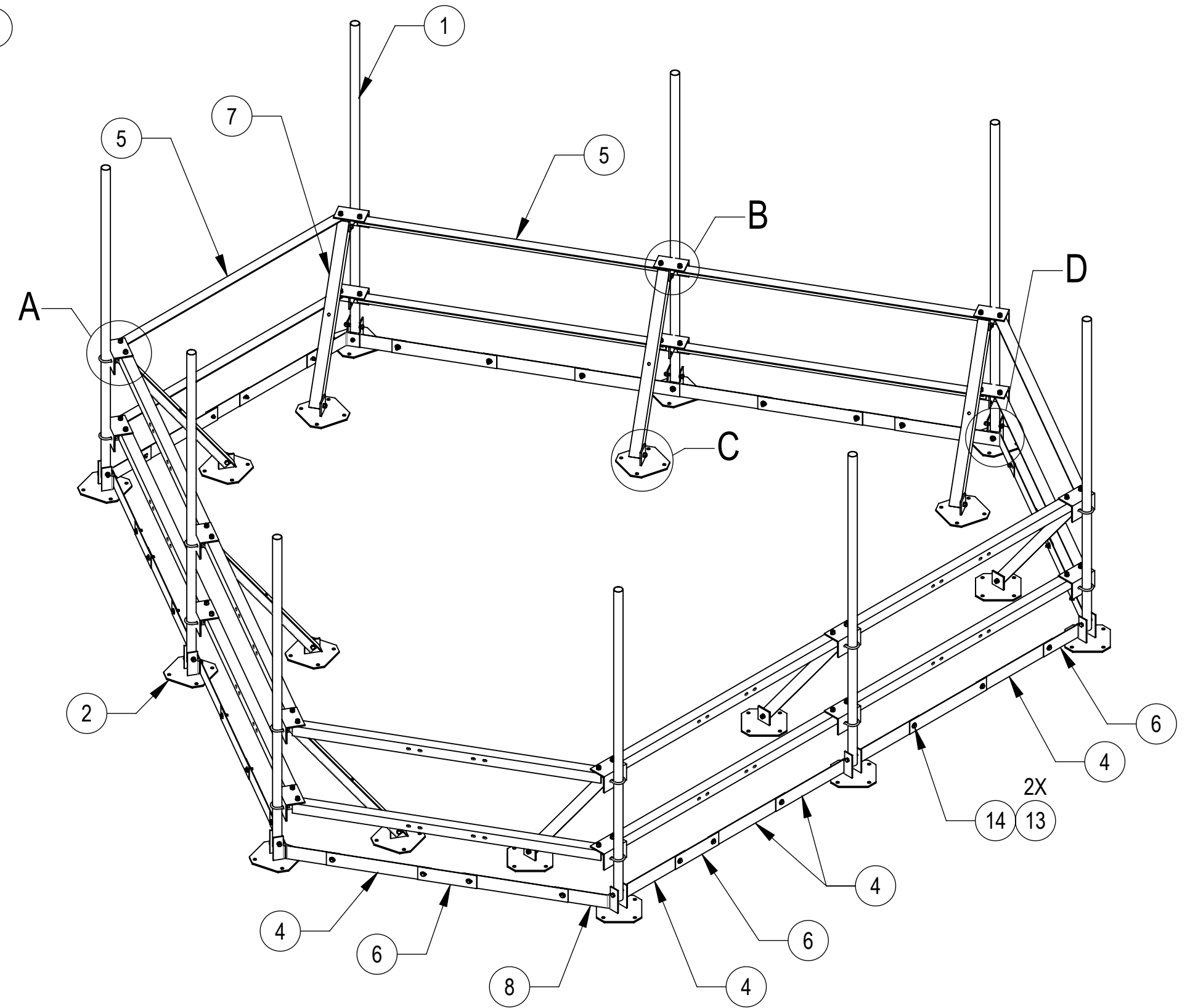
DETAIL B
SCALE 1 : 5



DETAIL C
SCALE 1 : 5


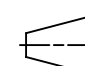


DETAIL D
SCALE 1 : 5



COMPONENT PART NUMBERS PROVIDED FOR ASSEMBLY PURPOSES;
INDIVIDUAL COMPONENTS MAY BE SHIPPED AS PARTS WITHIN AN INCLUDED KIT.

ITEM	PART NO.	DESCRIPTION	QTY.	WEIGHT	NOTE NO.
1	WTRTA32	PIPE FOR WTRTA SERIES	9	22.97 LBS	
2	WTRTA19	WELDED FOOT	9	16.49 LBS	
3	WTRTA20	REAR FOOT	9	14.56 LBS	
4	WTRTA27	LONG TOE BOARD SECTION	24	3.79 LBS	
5	WTRTA30	ANGLE, 7"	18	32.76 LBS	
6	WTRTA31	SHORT TOE BOARD SECTION	9	2.16 LBS	
7	WTRTA25	KICKER ANGLE	9	19.18 LBS	
8	WTRTA29	ANGLE TOE BOARD SECTION	6	2.43 LBS	
9	WTRTA21	WELDED BRACKET	18	8.34 LBS	
10	GUB-4240	1/2" X 2-1/2" X 4" GALV U-BOLT KIT	18	0.56 LBS	
11	GB-05445	5/8" X 4-1/2" GALV BOLT KIT	9	0.48 LBS	
12	GB-05145	5/8" X 1-1/2" GALV BOLT KIT	54	0.22 LBS	
13	GW-04	1/2" GALV FLAT WASHER	78	0.04 LBS	
14	GB-04145	1/2" X 1-1/2" GALV BOLT KIT	39	0.13 LBS	

COMMSCOPE, INC. OF NORTH CAROLINA				
TITLE ROOF TOP ASMBLY, 14' FACE, 9 PIPE MT				
SIZE C	SCALE 1:30	DOCUMENT NO. WT-RTA14-9-96		
DRAWING		VERSION	STATUS	REVISION
 		00	RE	E
				SHEET 2 OF 2

4

3

2

1

