

4

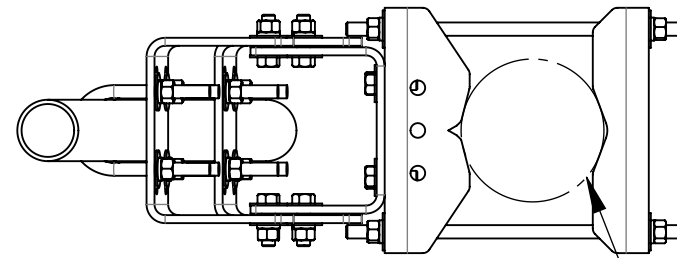
3

2

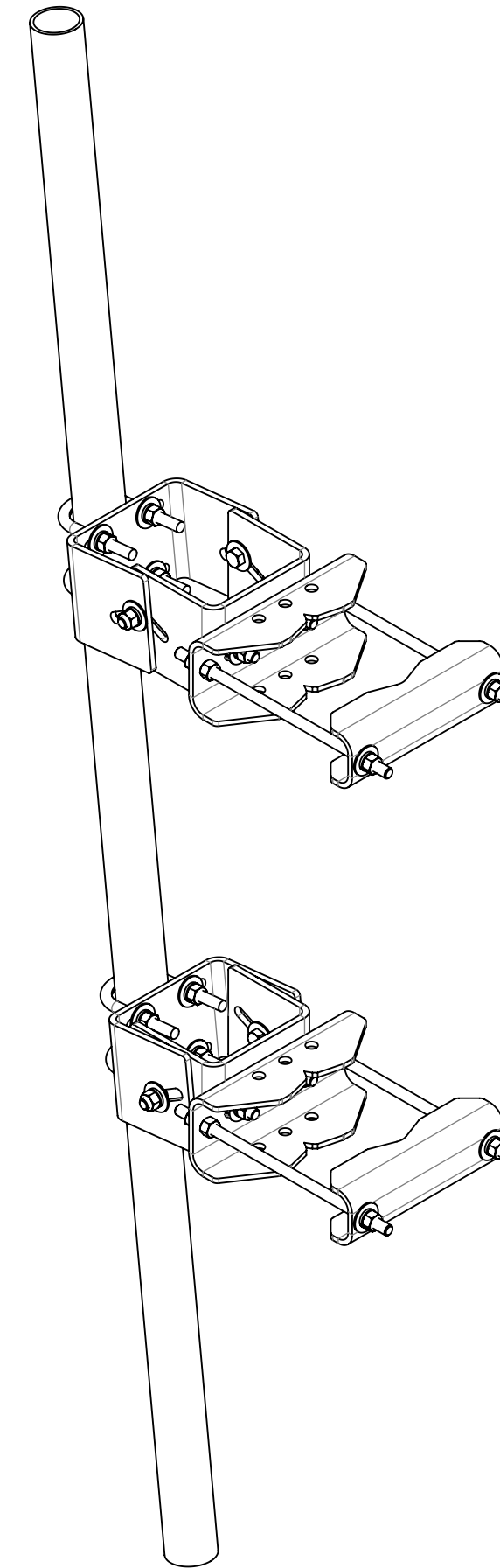
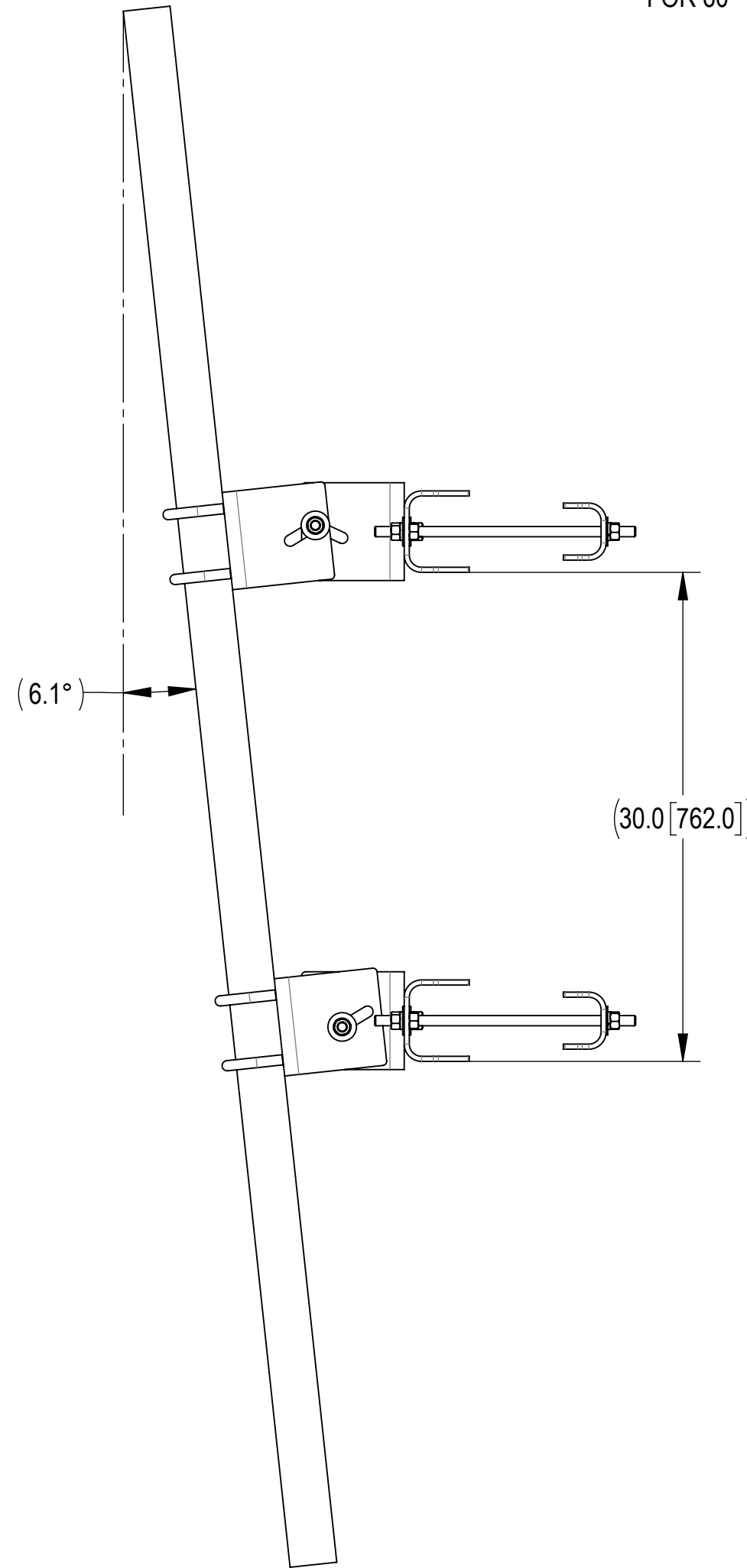
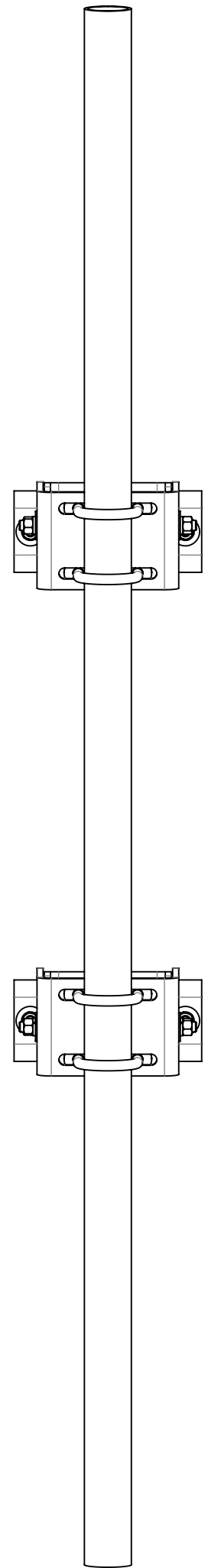
1

- 1.0 GENERAL NOTES
 - 1.1 ALL METRIC DIMENSIONS ARE IN BRACKETS [X.X]
 - 1.2 FOR PATENT INFO: <https://www.cs-pat.com>
- 2.0 DESIGN NOTES
- 3.0 MANUFACTURING/SPECIAL REQUIREMENTS
 - 3.1 TIGHTEN ALL BOLTS SECURING FLAT PLATES BY THE TURN-OF-NUT METHOD. TIGHTEN ALL U-BOLTS USING TURN-OF-NUT METHOD WITH ATTENTION TO LEAVE EQUAL DISTANCE AND EQUAL FORCE ON EACH LEG OF THE U-BOLT.
- 4.0 TEST
- 5.0 PACKAGING
 - 5.1 PACKAGING SHALL MEET COMMSCOPE REQUIREMENTS PER DOCUMENT IS-PL-3005
 - 5.2 PRINTED DOCUMENT TO BE PLACED INSIDE POLYBAG AND THEN IN SHIPPING CONTAINER
 - 5.3 EXTRA HARDWARE MAY BE SUPPLIED, BAGGED AND SHIPPED

REVISIONS			
REV.	DESCRIPTION	DATE	APPROVED
F	REDRAWN INDIVIDUAL DRAWING	RY1002 18JUL24	BCROSS 40200320CMO



FOR POLES UP TO 8" OD
FOR 90° ANGLES UP TO 6"
FOR 60° ANGLES UP TO 8"



COMMSCOPE, INC. OF NORTH CAROLINA

TOLERANCES		SAP MATERIAL MASTER	
1 PLACE .X[X] ± 0.2[6.3]	3 PLACE .XXX[X] ± 0.060[1.5]	PM-SC3-96	
2 PLACE .XX[X] ± 0.12[3.0]	ANGLES ± 2°		
FINISH		MATERIAL	

DENSITY		lbs/in ³
MASS	143.88	lbs
VOLUME	508.33	in ³
SURFACE AREA	4055.56	in ²
HEIGHT	96"	
LENGTH	31"	
WIDTH	12"	

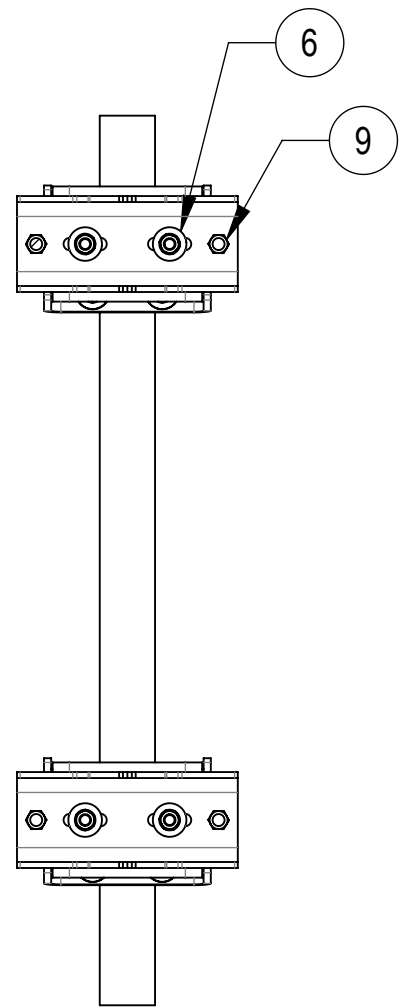
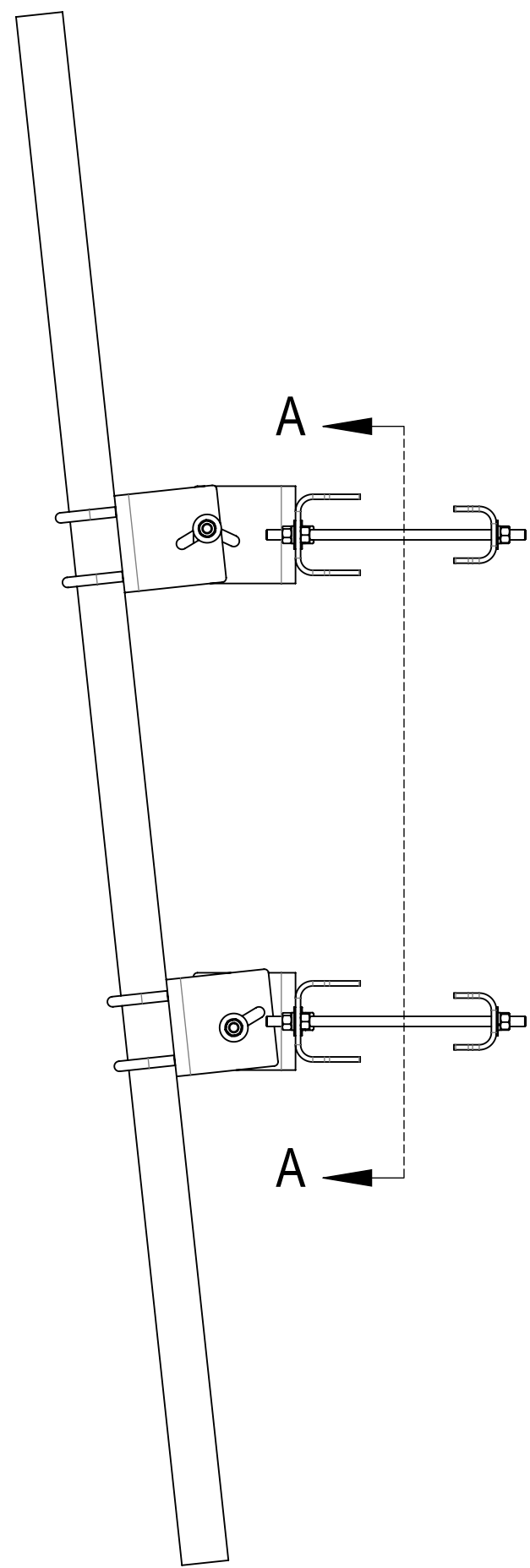
UNLESS OTHERWISE SPECIFIED DIMENSIONS ARE IN INCHES INTERPRET PER ANSI Y 14.5M-1994	NAME	DATE	TITLE					
	CE RY1002	18JUL24	UNIV. OPEN FACE PIPE MNT, 2-7/8" ODX96"					
	RW RY1002	07/18/2024	SCALE 1:9	DOCUMENT NO. PM-SC3-96				
	AD YMENG	07/23/2024						
	RE YMENG	07/23/2024	ECN 40200320CMO					
SIZE	Auth Group	INSL	MODEL					
C			VERSION	STATUS	REVISION	DRAWING		SHEET 1 OF 2
			01	RE	F	00	RE	

4

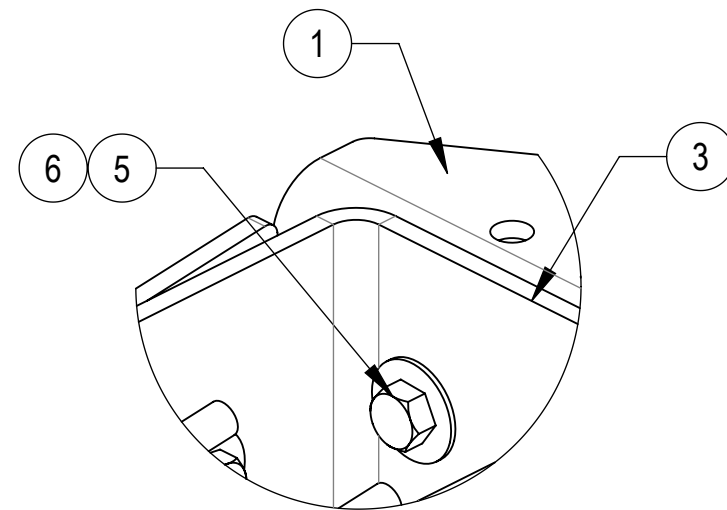
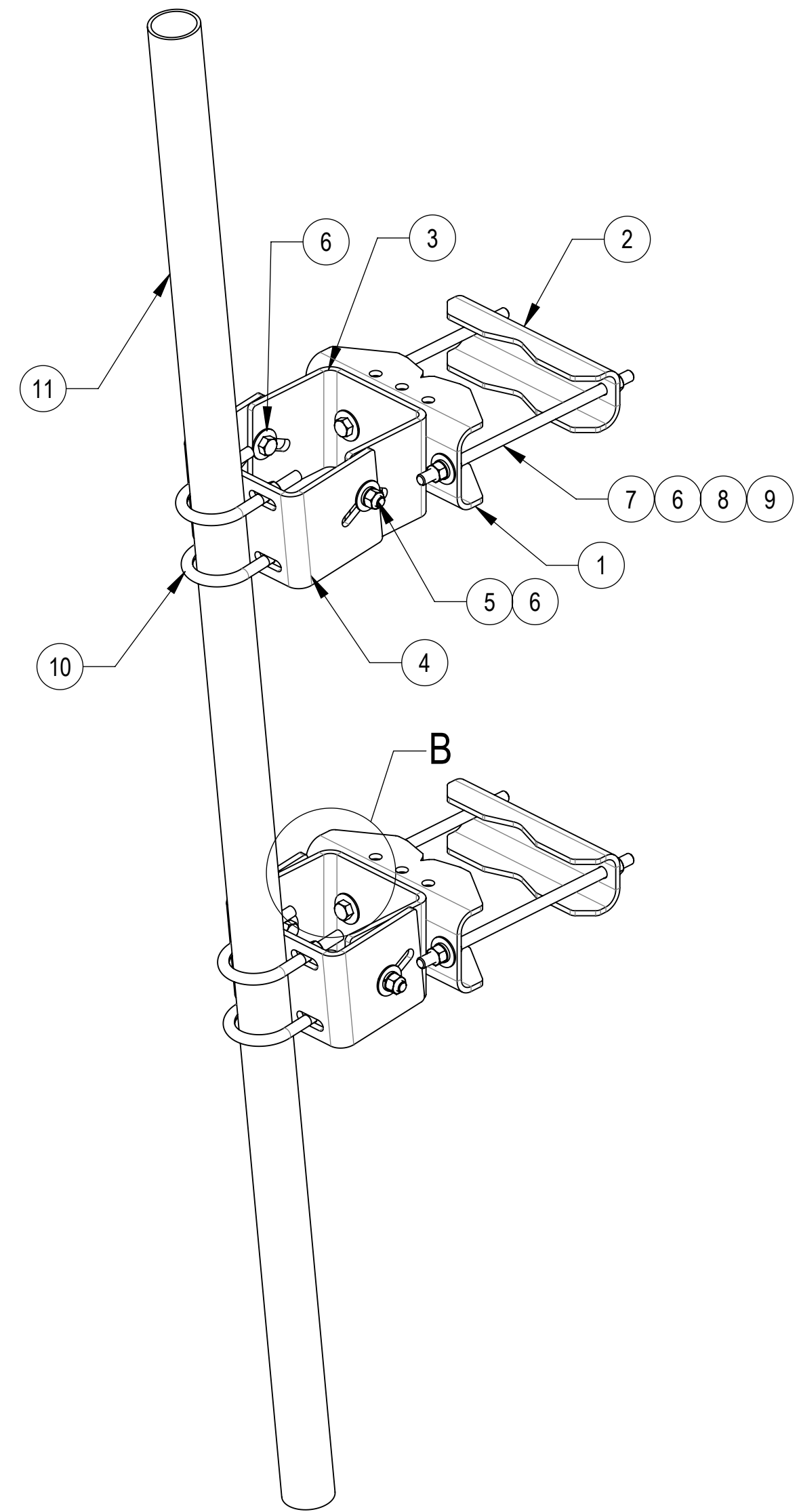
3

2

1



SECTION A-A
SCALE 1 : 10



DETAIL B
SCALE 1 : 3

COMPONENT PART NUMBERS PROVIDED FOR ASSEMBLY PURPOSES;
INDIVIDUAL COMPONENTS MAY BE SHIPPED AS PARTS WITHIN AN INCLUDED KIT.

ITEM	PART NO.	DESCRIPTION	QTY.	WEIGHT	NOTE NO.
1	MTC397522	CLAMP, FRONT MOUNTING	2	10.02 LBS	
2	MTC397521	CLAMP, BACK	2	6.94 LBS	
3	MTC985101	INNER CHANNEL FOR MTC9851 MOUNT	2	11.52 LBS	
4	MTC985102	OUTER CHANNEL	2	11.78 LBS	
5	GB-05205	5/8" X 2" GALV BOLT KIT	8	0.26 LBS	
6	GWF-05	5/8" GALV FLAT WASHER, 1.70D	24	0.06 LBS	
7	MT-382-16	5/8" X 16" GALV THREADED ROD	4	1.38 LBS	
8	GWL-05	5/8" GALV LOCK WASHER	8	0.03 LBS	
9	GN-05	5/8" GALV HEX NUT	12	0.08 LBS	
10	GUB-53060	5/8" X 3" X 6" GALV U-BOLT	4	1.26 LBS	
11	MT54696	PIPE, 2.875"OD X 96"	1	45.96 LBS	

COMMSCOPE, INC. OF NORTH CAROLINA				
TITLE UNIV. OPEN FACE PIPE MNT,2-7/8" ODX96"				
SIZE C	SCALE 1:10	DOCUMENT NO. PM-SC3-96		
		DRAWING		SHEET 2 OF 2
		VERSION 00	STATUS RE	

© 2024 CommScope, Inc. Confidential

4

3

2

1