

4

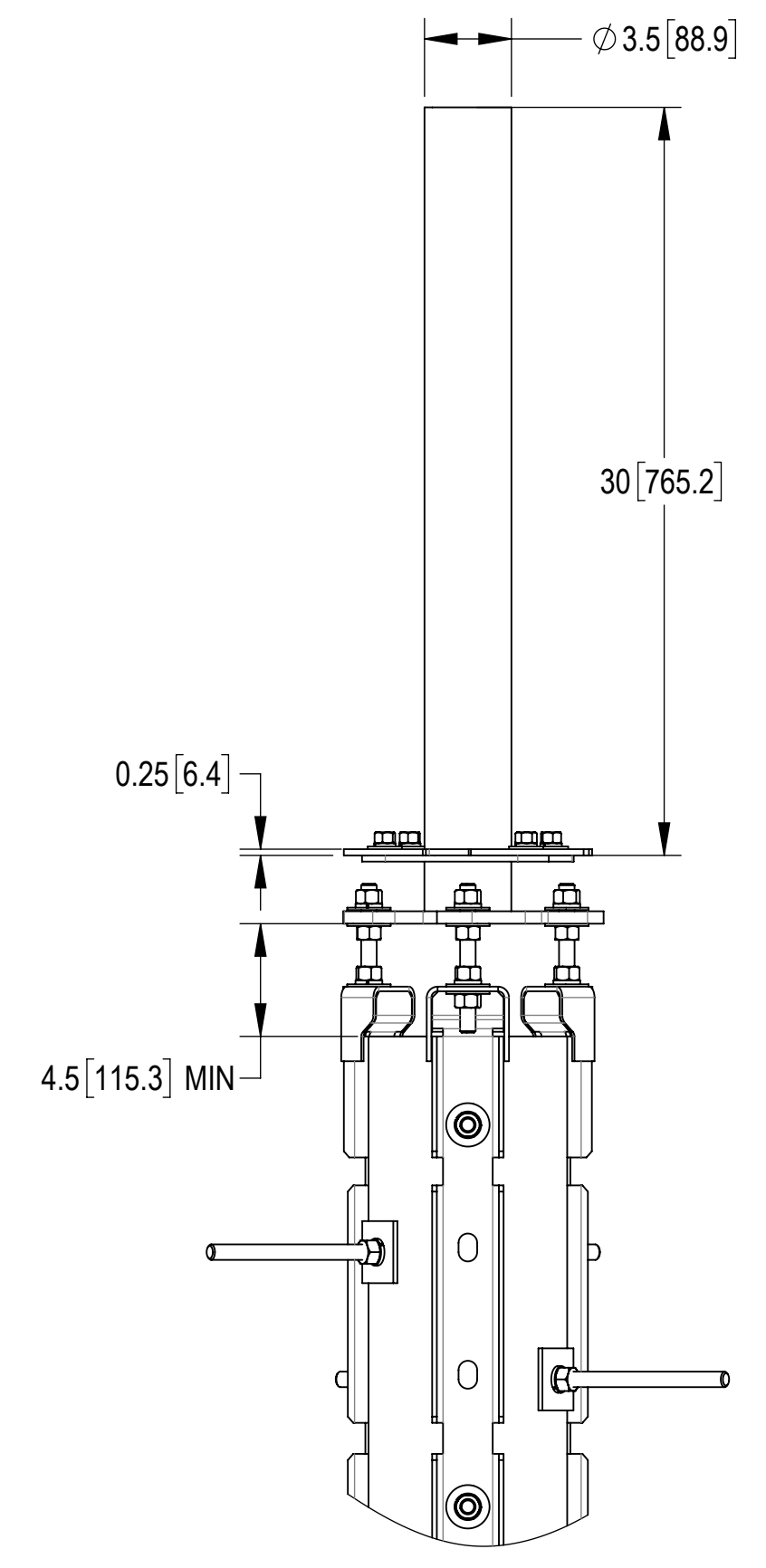
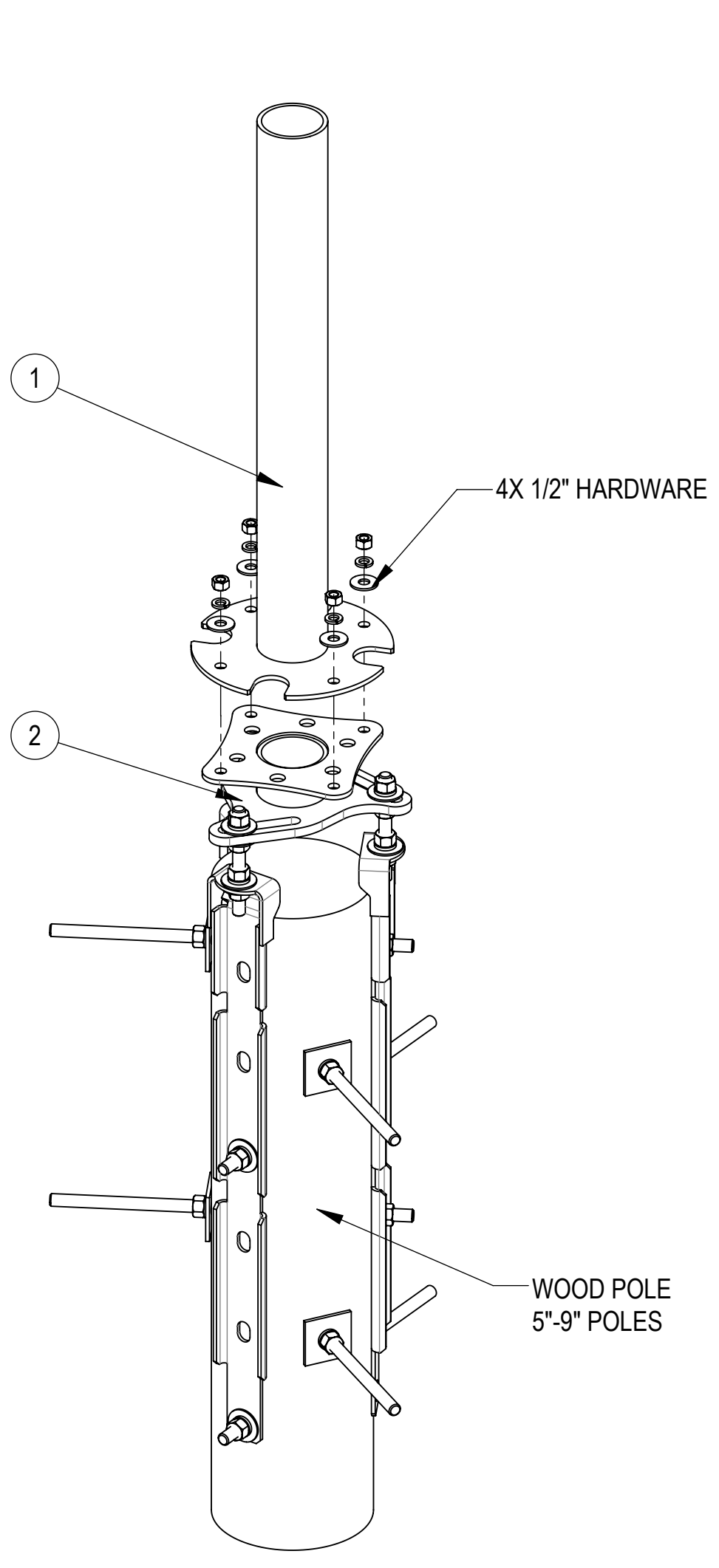
3

2

1

- 1.0 GENERAL NOTES
- 1.1 ALL METRIC DIMENSIONS ARE IN BRACKETS [X.X]
- 1.2 FEATURES CRITICAL TO QUALITY ARE INDICATED IN ROUNDED BOX (X.X)
- 1.3 3D DIGITAL FILES ARE FOR REFERENCE. IN CASE OF CONFLICT FOLLOW PDF DRAWING.
- 2.0 DESIGN NOTES
- 3.0 MANUFACTURING/SPECIAL REQUIREMENTS
- 4.0 TEST
- 5.0 PACKAGING
- 5.1 PACKAGING SHALL MEET COMMSCOPE REQUIREMENTS PER DOCUMENT IS-PL-3005

REVISIONS			
REV.	DESCRIPTION	DATE	APPROVED
A	INITIAL RELEASE	YC1059 07AUG24	JAHAINES 40201760CMO



COMPONENT PART NUMBERS PROVIDED FOR ASSEMBLY PURPOSES;
INDIVIDUAL COMPONENTS MAY BE SHIPPED AS PARTS WITHIN AN INCLUDED KIT.

ITEM NO.	PART NUMBER	DESCRIPTION	QTY.
1	860644677	POLE TOP PIPE MOUNT	1
2	860636779-WP2	KIT, WP MOUNT, 5G SPOOL, PT, 5-9IN	1

DENSITY		lbs/in ³
MASS	53.20	lbs
VOLUME	253.32	in ³
SURFACE AREA	4532.89	in ²
HEIGHT	67.86[1723.6]	
LENGTH	20.96[532.4]	
WIDTH	19.08[484.7]	

COMMSCOPE, INC. OF NORTH CAROLINA

TOLERANCES		SAP MATERIAL MASTER	
1 PLACE .X[X] ± 0.2[6.3]	3 PLACE .XXX[X] ± 0.060[1.5]	860644677-5GKIT-2	
2 PLACE .XX[X] ± 0.12[3.0]	ANGLES ± 2°		
FINISH		MATERIAL	
UNLESS OTHERWISE SPECIFIED DIMENSIONS ARE IN INCHES INTERPRET PER ANSI Y 14.5M-1994		NAME	DATE
		CE YC1059	07AUG24
		RW YC1059	08/07/2024
		AD HDAI	08/08/2024
		RE HDAI	08/08/2024
ECN 40201760CMO		TITLE	
		5G READY WOODPOLE KIT, 5-9" DIA POLE 30"	
		SCALE	DOCUMENT NO.
		1:12	860644677-5GKIT-2
SIZE	Auth Group	INSL	MODEL
C			
		VERSION	STATUS
		00	RE
		REVISION	VERSION
		A	00
		STATUS	REVISION
		RE	A
		DRAWING	
		1 OF 1	

4

3

2

1