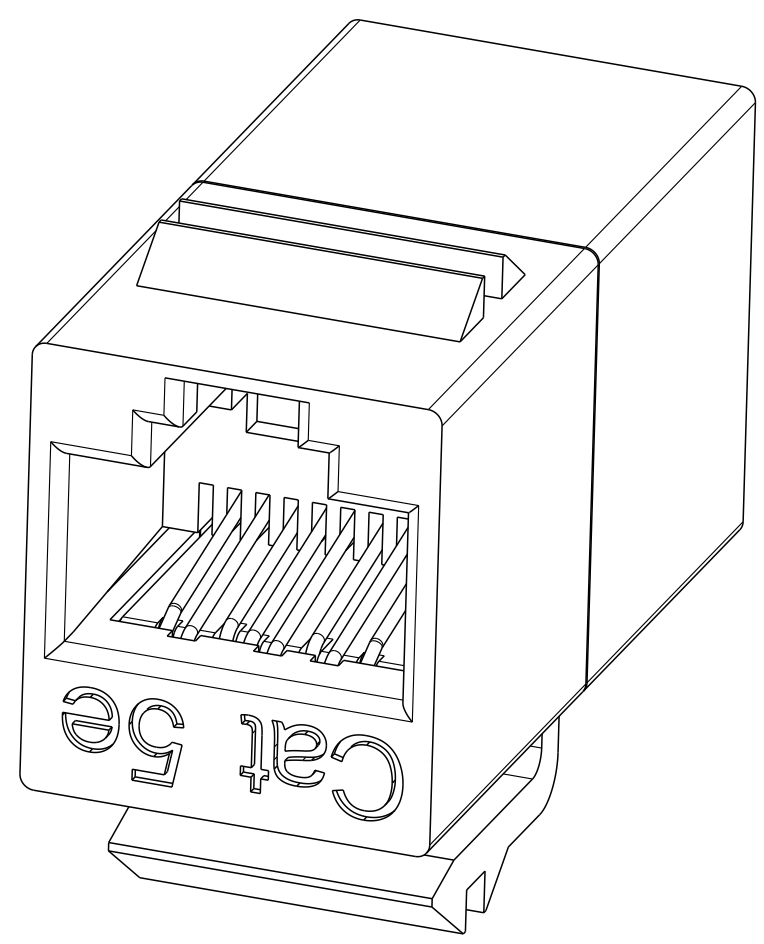
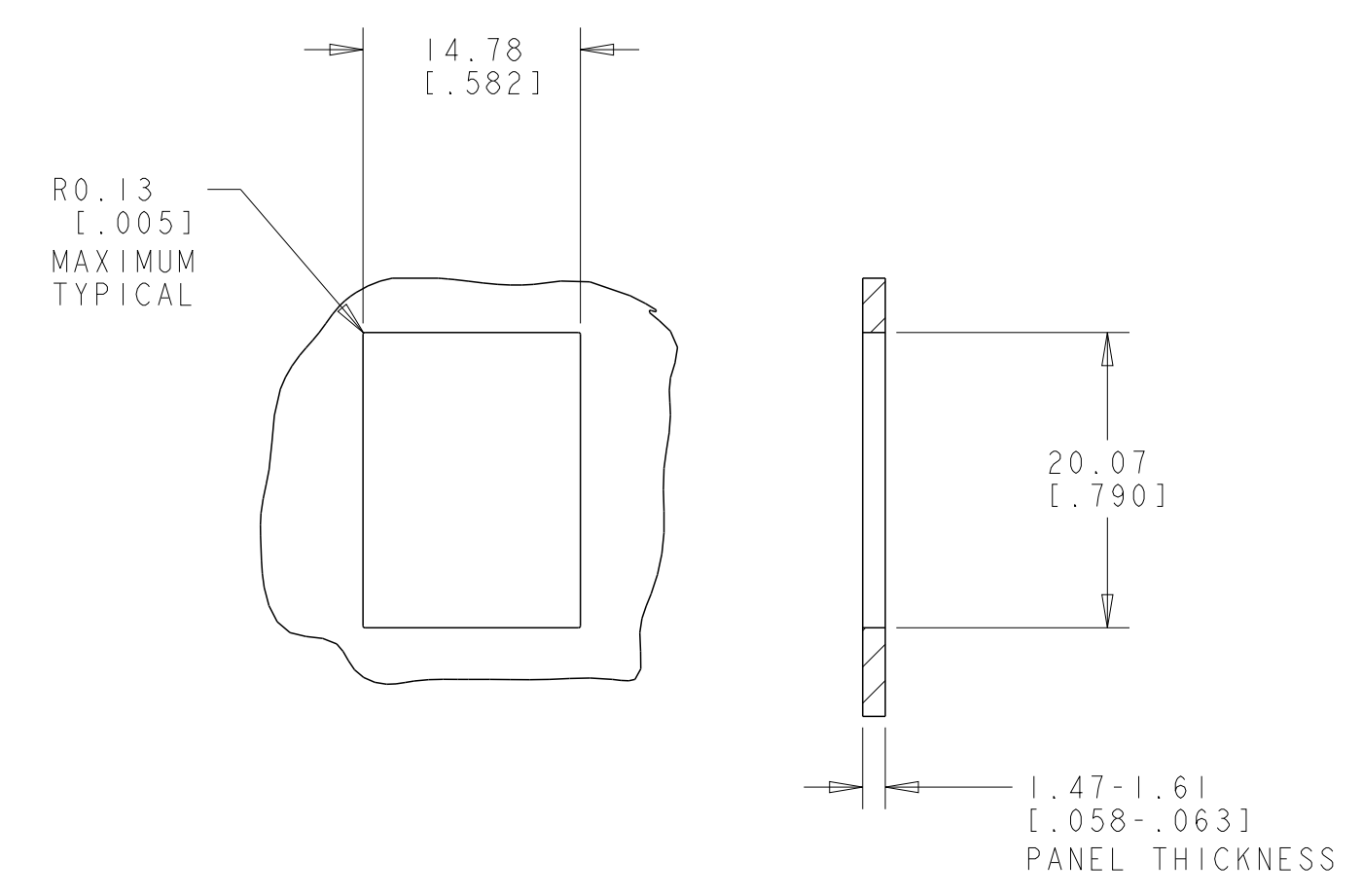
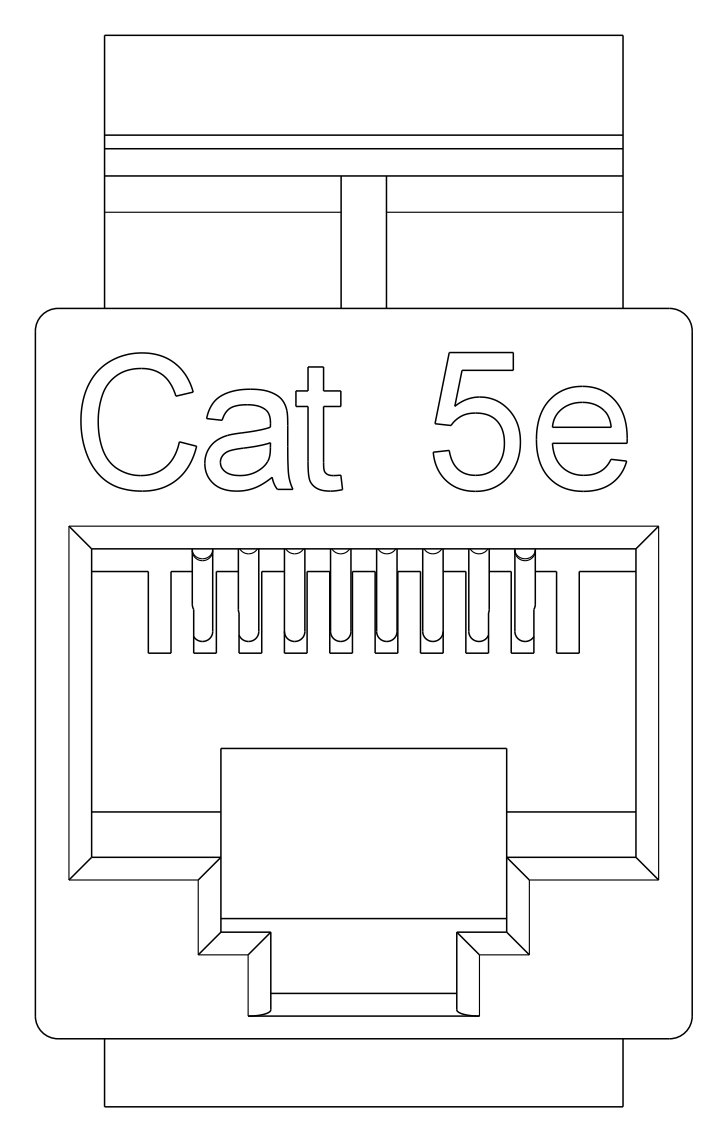
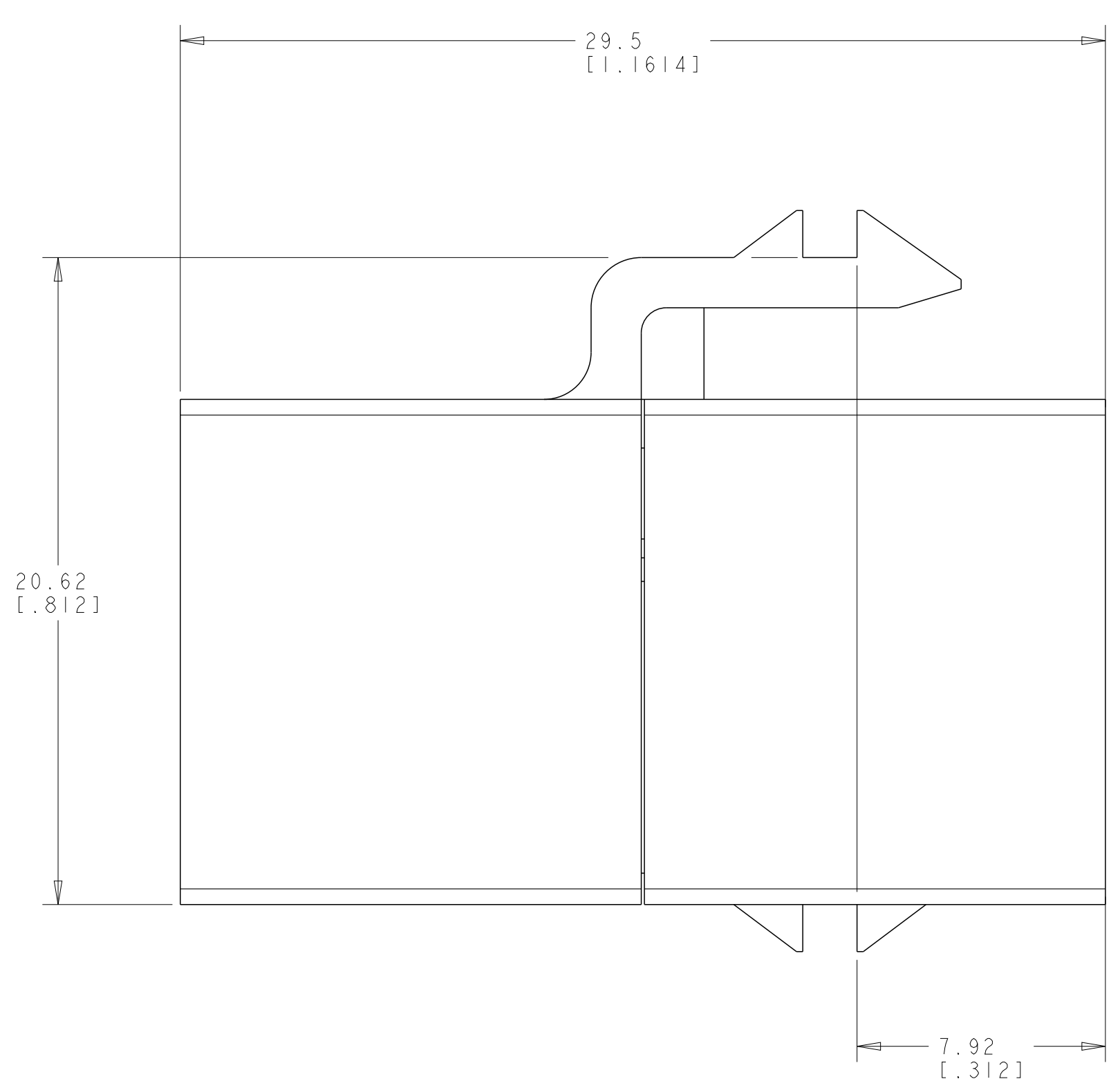
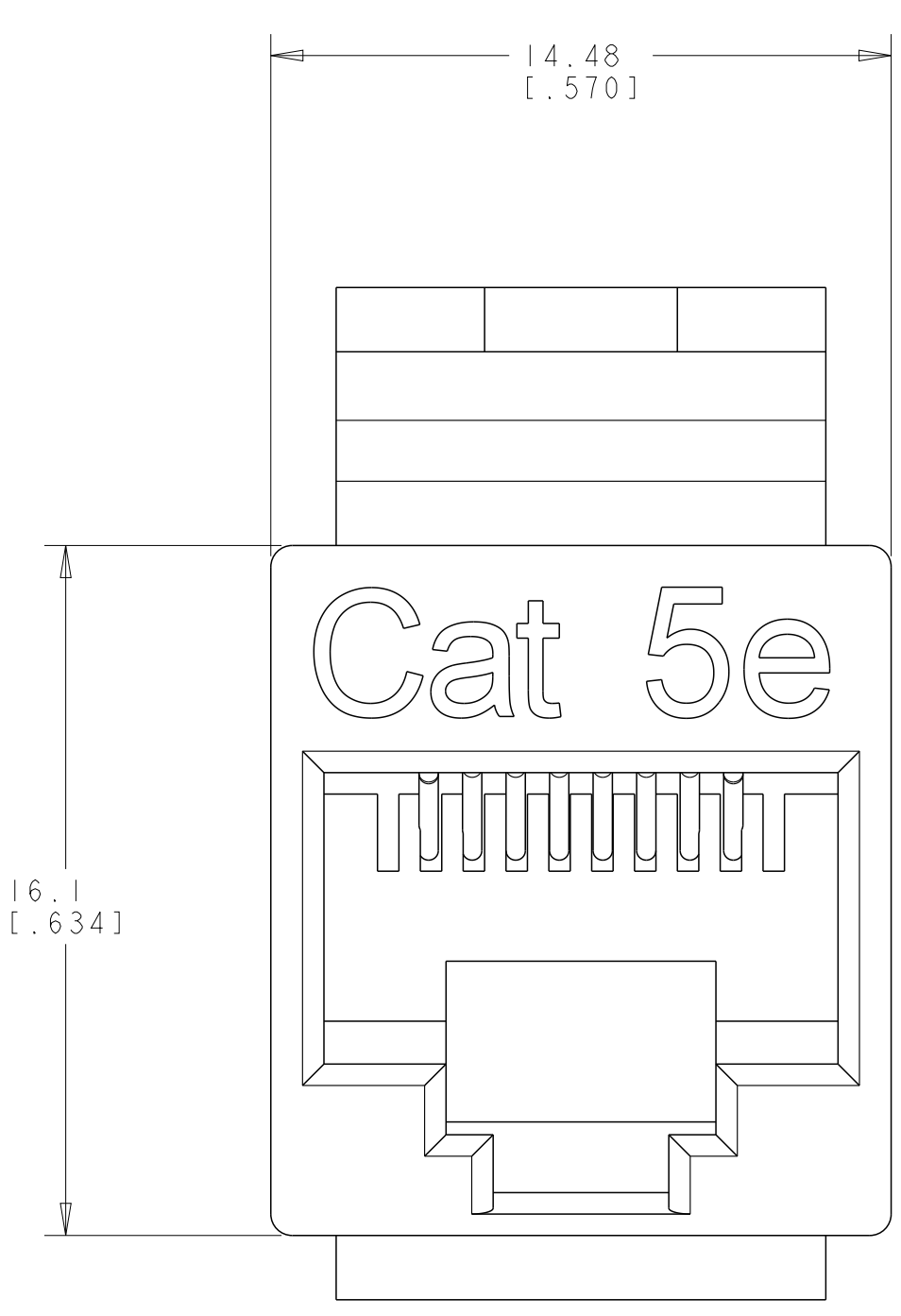


REVISIONS			
REV	DESCRIPTION	DATE	APPROVED
B	REV; 40024240MCO	19AUG2015	RA
C	40068060CMO	12JUN2018	MS

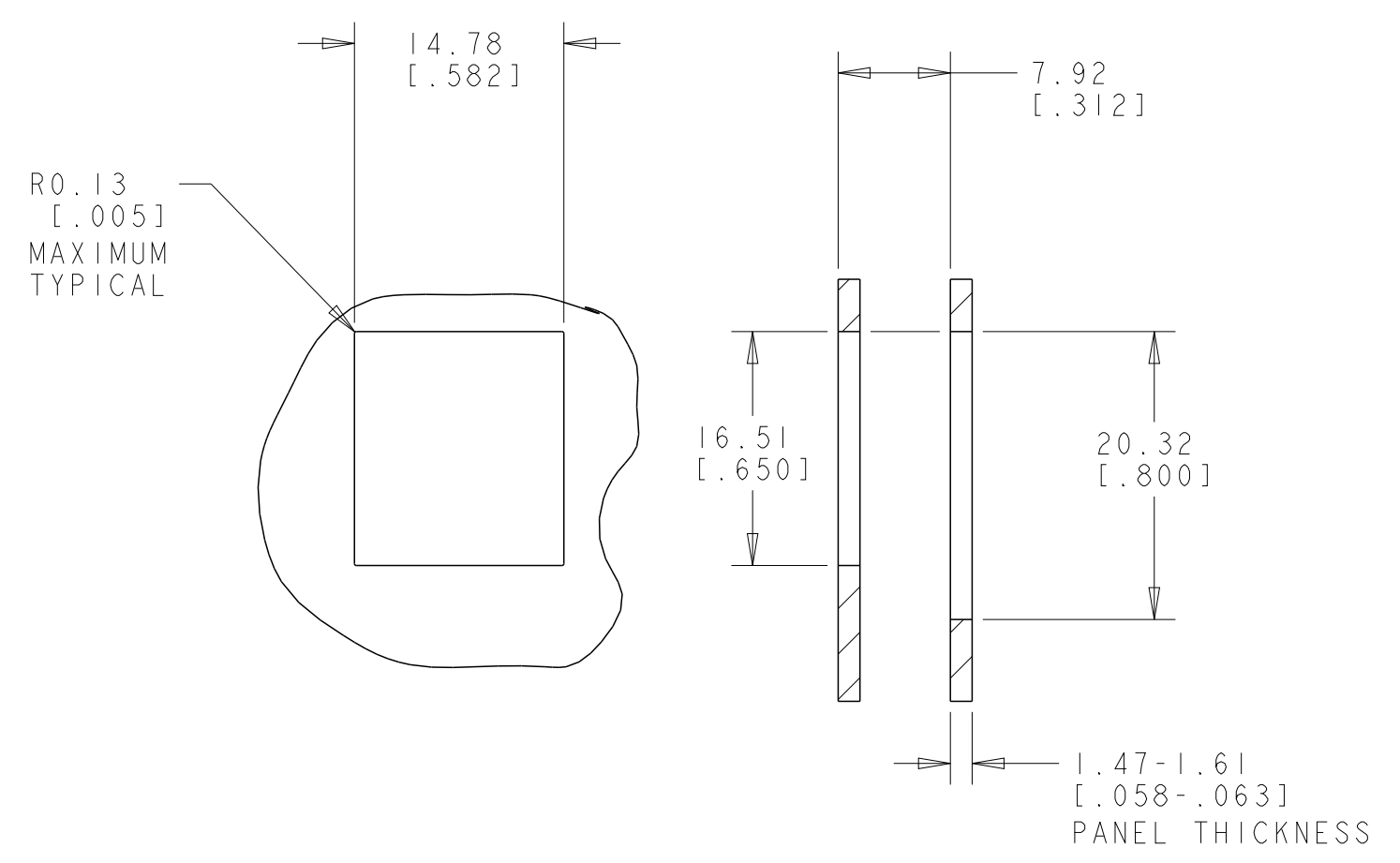


SCALE 4:1

- ⚠ ALL DIMENSIONS SHOWN ARE NOMINAL UNLESS OTHERWISE SPECIFIED.
- ⚠ MATERIAL:  
 COUPLER HOUSING - ABS HIGH-IMPACT UL94V-0 THERMOPLASTIC.  
 CONTACTS - PHOSPHOR BRONZE, 50u" GOLD OVER 50u" NICKEL UNDERCOAT.
- 3. MOUNTING PANEL THICKNESS .062 [1.57] NOMINAL.



SINGLE PANEL CUTOUT



SUGGESTED FLUSH MOUNT  
PANEL APPLICATION CUTOUT

211121-1  
PART NUMBER

<b>COMMSCOPE, INC.</b>			
DRAFTER G GARRETT	TITLE COUPLER, SL, INLINE, CAT5E, UNSHIELDED		
ENGINEER R ASHBY	SIZE A1	SCALE 6:1	DOCUMENT NO. <b>211121-C</b>
CUSTOMER DRAWING			REVISION SHEET C 1 OF 1