

4

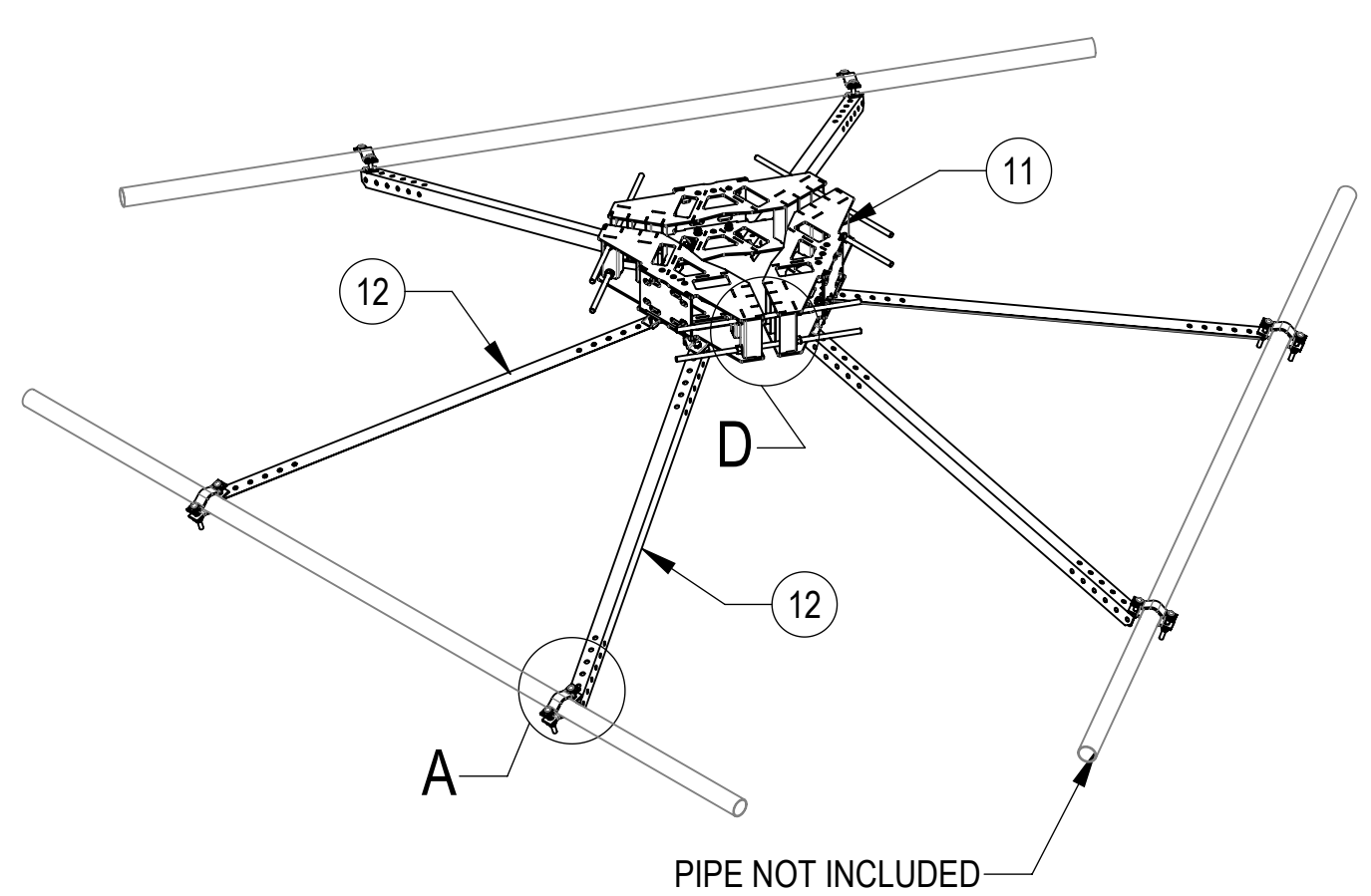
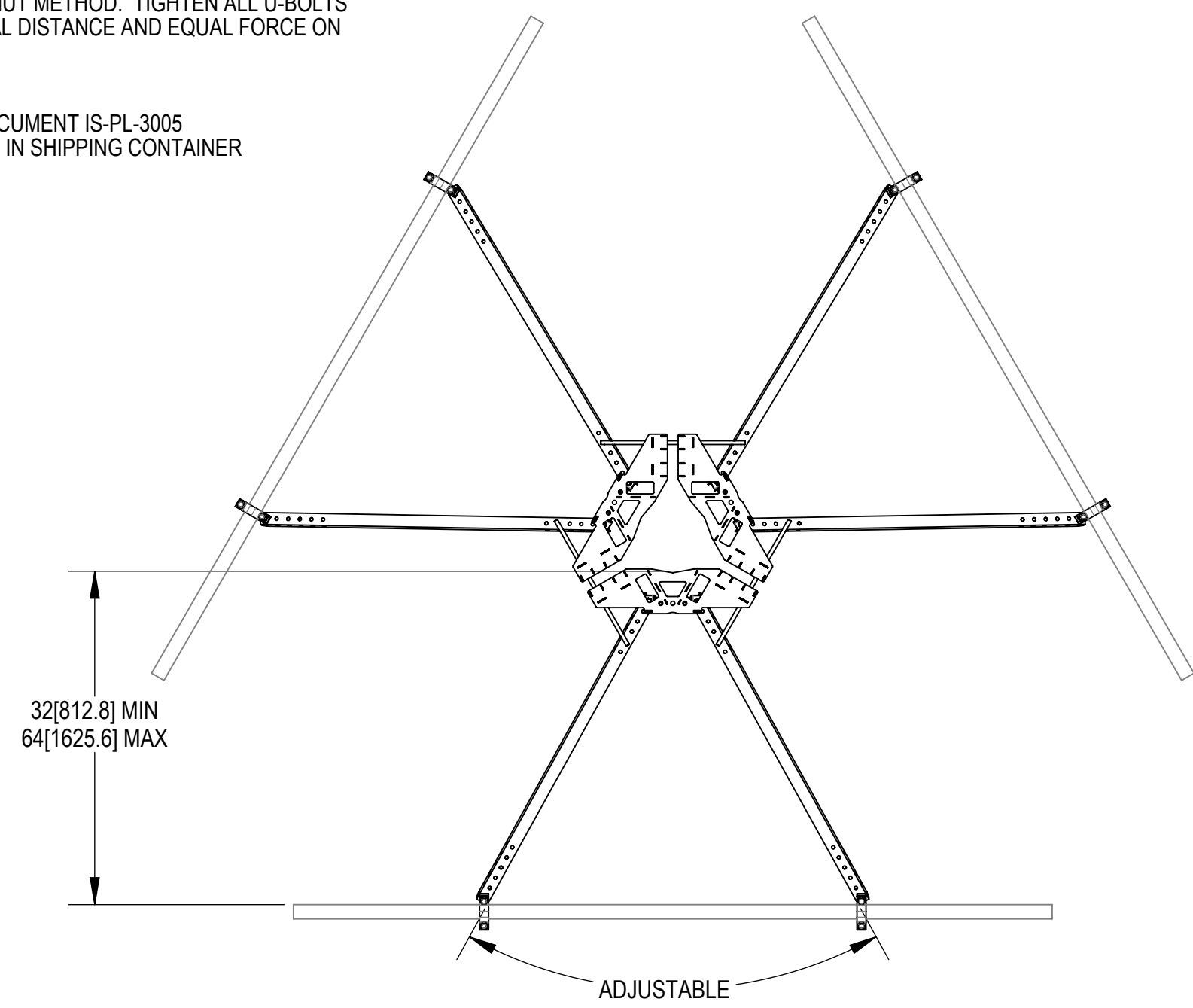
3

2

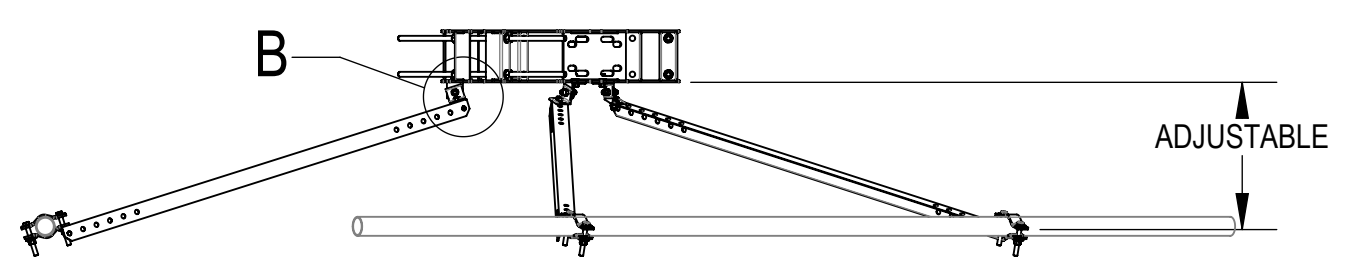
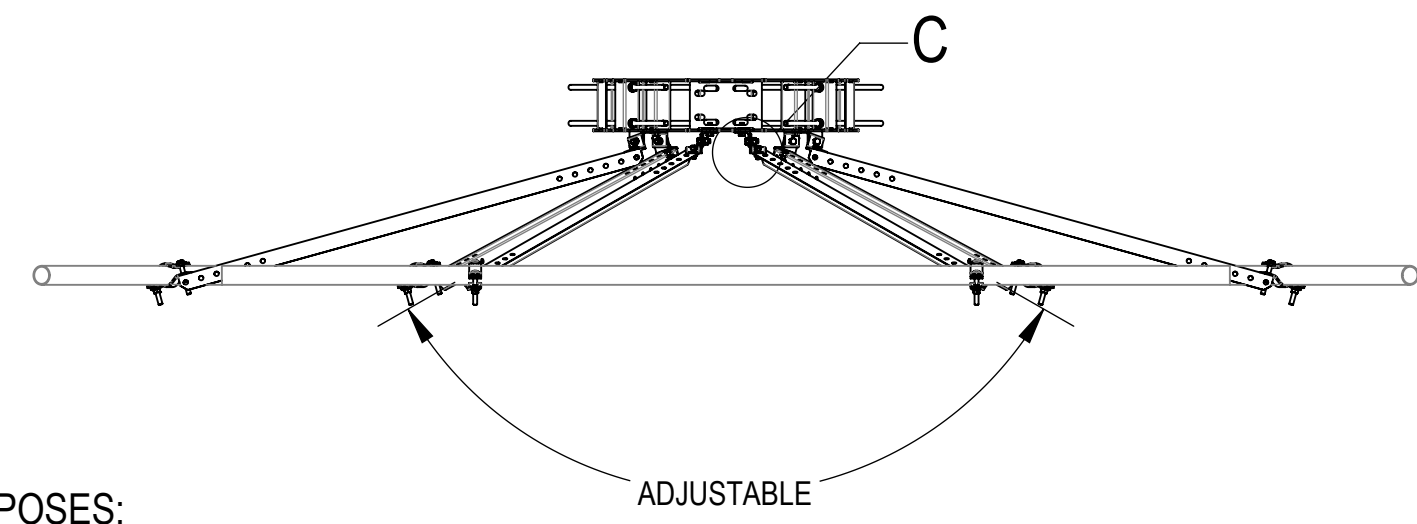
1

- 1.0 GENERAL NOTES
 1.1 ALL METRIC DIMENSIONS ARE IN BRACKETS [X. X]
 1.2 FOR PATENT INFO: <https://www.cs-pat.com>
 2.0 DESIGN NOTES
 2.1 ALL DIMENSIONS SHOWN ARE REFERENCE ONLY ALL CONNECTIONS ARE ADJUSTABLE. FINAL INSTALLED APPLICATION DICTATES FINISHED DIMENSIONS.
 3.0 MANUFACTURING/SPECIAL REQUIREMENTS
 3.1 TIGHTEN ALL BOLTS SECURING FLAT PLATES BY THE TURN-OF-NUT METHOD. TIGHTEN ALL U-BOLTS USING TURN-OF-NUT METHOD WITH ATTENTION TO LEAVE EQUAL DISTANCE AND EQUAL FORCE ON EACH LEG OF THE U-BOLT.
 4.0 TEST
 5.0 PACKAGING
 5.1 PACKAGING SHALL MEET COMMSCOPE REQUIREMENTS PER DOCUMENT IS-PL-3005
 5.2 PRINTED DOCUMENT TO BE PLACED INSIDE POLYBAG AND THEN IN SHIPPING CONTAINER
 5.3 EXTRA HARDWARE MAY BE SUPPLIED, BAGGED AND SHIPPED

REVISIONS			
REV.	DESCRIPTION	DATE	APPROVED
A	INITIAL RELEASE	MRC 09/19/18	8000031753
B	MT-382-24 WAS MT37924; MT38248 WAS MT37947; QTY GWF-04 WAS 12EA; ADDED GWL-05 AND GN-05	RY1002 12AUG24	BCROSS 40202158CMO



UP TO $\pm 30^\circ$ AZIMUTH ADJUSTMENT OFF APEX



COMPONENT PART NUMBERS PROVIDED FOR ASSEMBLY PURPOSES; INDIVIDUAL COMPONENTS MAY BE SHIPPED AS PARTS WITHIN AN INCLUDED KIT.

ITEM	PART NO.	DESCRIPTION	QTY.	WEIGHT	NOTE NO.
1	1204FTB	1/2" X 4" FULL THREAD GALV. BOLT	12	0.26 LBS	
2	ACP10	1.5" - 3.5" O.D. CLAMP HALF	12	0.61 LBS	
3	GB-04125	1/2" X 1-1/4" GALV BOLT KIT	18	0.12 LBS	
4	GN-04	1/2" GALV HEX NUT	12	0.04 LBS	
5	GWF-04	1/2" GALV FLAT WASHER	24	0.04 LBS	
6	GWL-04	1/2" GALV LOCK WASHER	12	0.01 LBS	
7	MT-382-24	5/8" X 24" GALV THREADED ROD	6	2.07 LBS	
8	GWL-05	5/8" GALV LOCK WASHER	12	0.03 LBS	
9	GN-05	5/8" GALV HEX NUT	12	0.08 LBS	
10	MTC393211	BRACKET, PIVOT	12	0.37 LBS	
11	MTC328602	WELDMENT, LIGHT DUTY 10-50 RINGMOUNT	3	26.39 LBS	
12	MTC393214	ANGLE, 2 X 2 X 1/8 X 60, VSRA	6	7.99 LBS	
13	MT38248	5/8" X 48" GALV THREADED ROD	6	4.15 LBS	USE FOR MONOPOLES LARGER THAN 24"

DENSITY	308.72	lbs/in ³
MASS	308.72	lbs
VOLUME	1090.20	in ³
SURFACE AREA	18749.41	in ²
HEIGHT		
LENGTH		
WIDTH		

© 2024 CommScope, Inc.

COMMSCOPE, INC. OF NORTH CAROLINA

TOLERANCES
 0 PLACE .X[X] ± 0.25[6.4] 2 PLACE .XX[X] ± 0.06[1.5]
 1 PLACE .X[X] ± 0.12[3.0] ANGLES ± 2°

SAP MATERIAL MASTER
VSRA-MM-B3

FINISH: _____ MATERIAL: _____

NAME	DATE	TITLE
CE MRC	9/24/18	V-STABILIZER, ADJUSTABLE, 12-50" MP
RW RY1002	08/13/2024	
AD BCROSS	08/21/2024	
RE RY1002	09/05/2024	

SCALE: **1:24** DOCUMENT NO.: **VSRA-MM-B3**

ECN 40202158CMO

SIZE	Auth Group	INSL	MODEL	DRAWING			SHEET		
C			VERSION	STATUS	REVISION	VERSION	STATUS	REVISION	1 OF 2
			03	RE	B	05	RE	B	

4

3

2

1

4

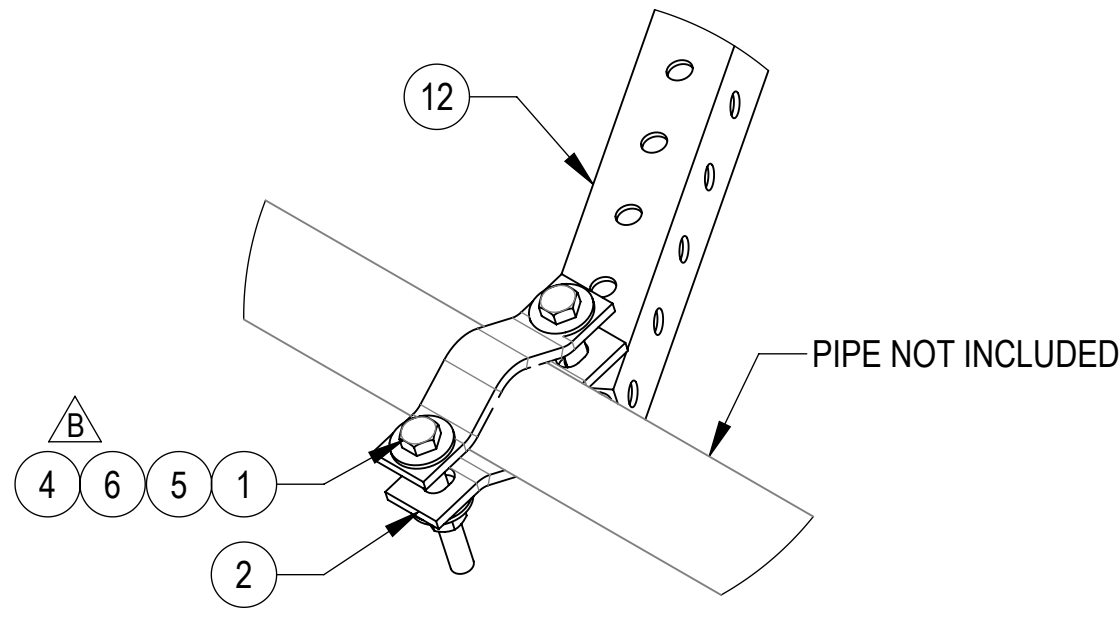
3

2

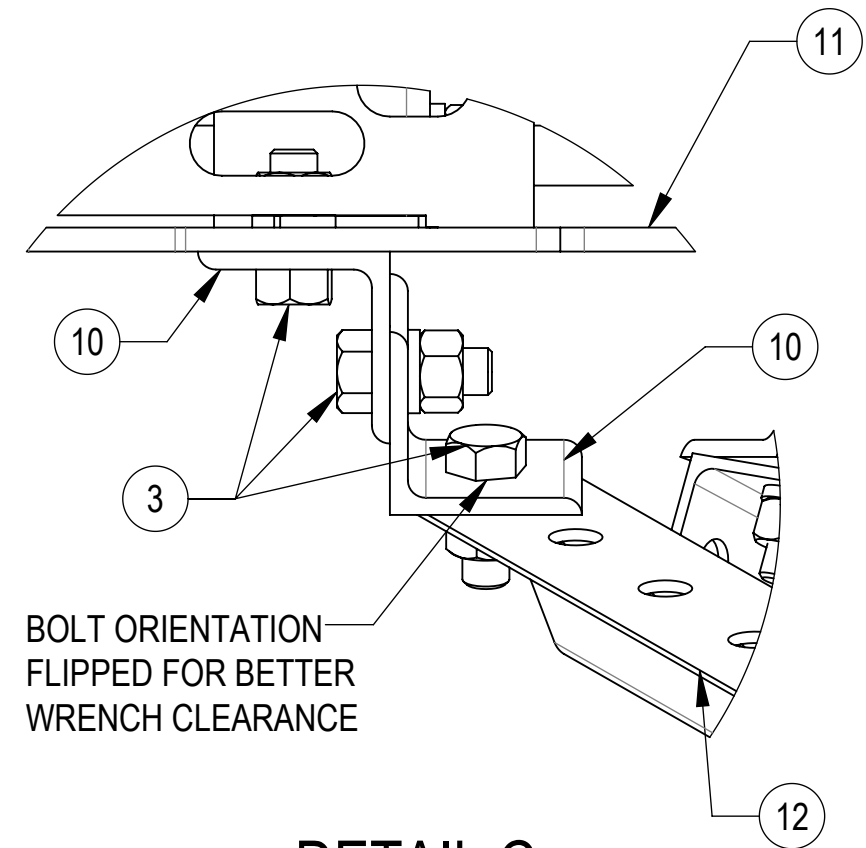
1

D

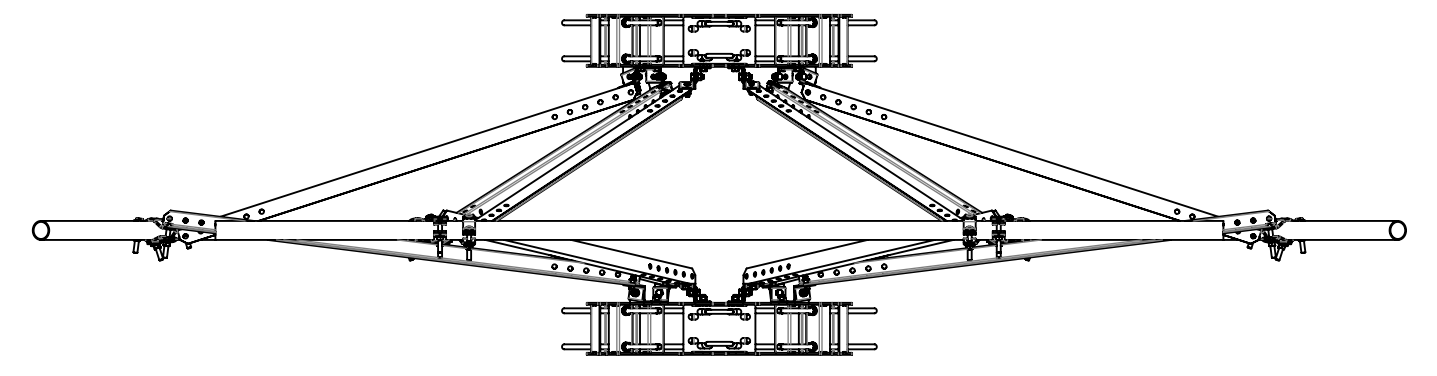
D



DETAIL A
SCALE 1 : 4



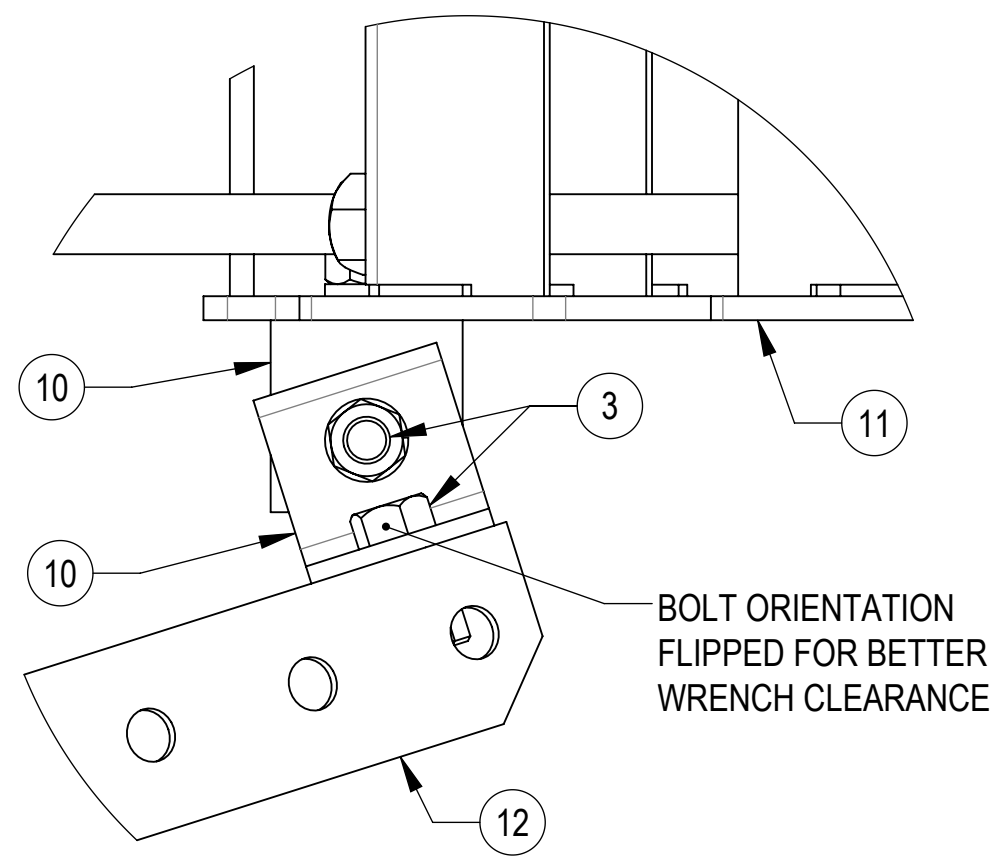
DETAIL C
SCALE 1 : 2



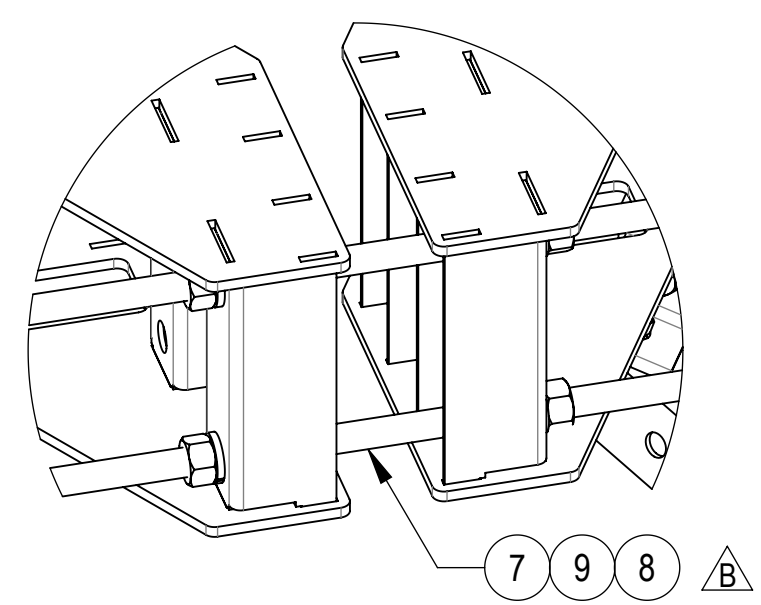
SHOWN FOR REFERNCE ONLY
WHEN INSTALLING ON A DUAL
STABILIZER SET UP.

C

C



DETAIL B
SCALE 1 : 2




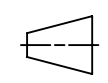
DETAIL D
SCALE 1 : 4

B

B

A

A

COMMSCOPE, INC. OF NORTH CAROLINA				
TITLE V-STABILIZER, ADJUSTABLE, 12-50" MP				
SIZE C	SCALE 1:24	DOCUMENT NO. VSRA-MM-B3		
 		DRAWING		SHEET
		VERSION 05	STATUS RE	REVISION B

© 2024 CommScope, Inc.

4

3

2

1

