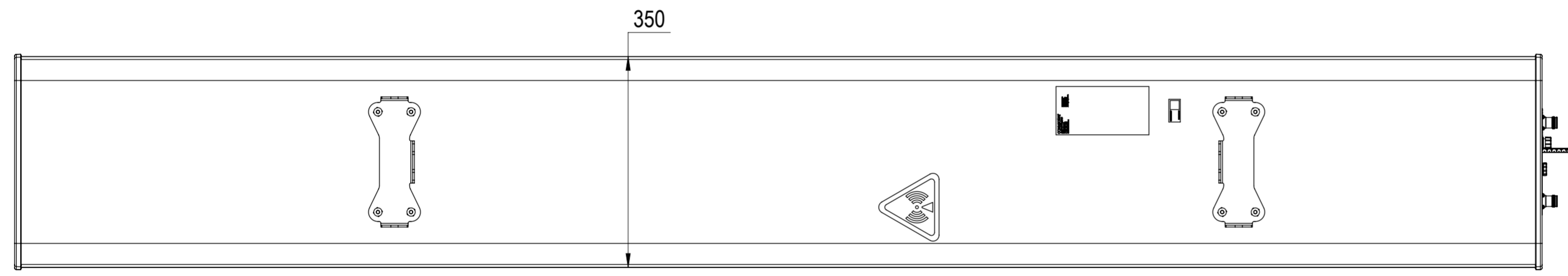
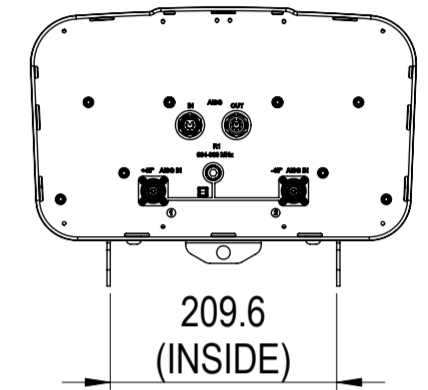
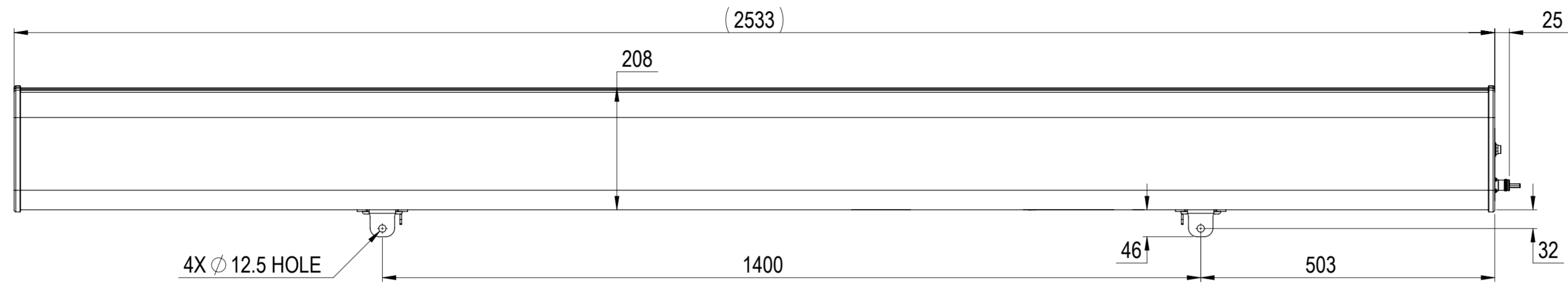


REVISION
A



RPX310B-T2H