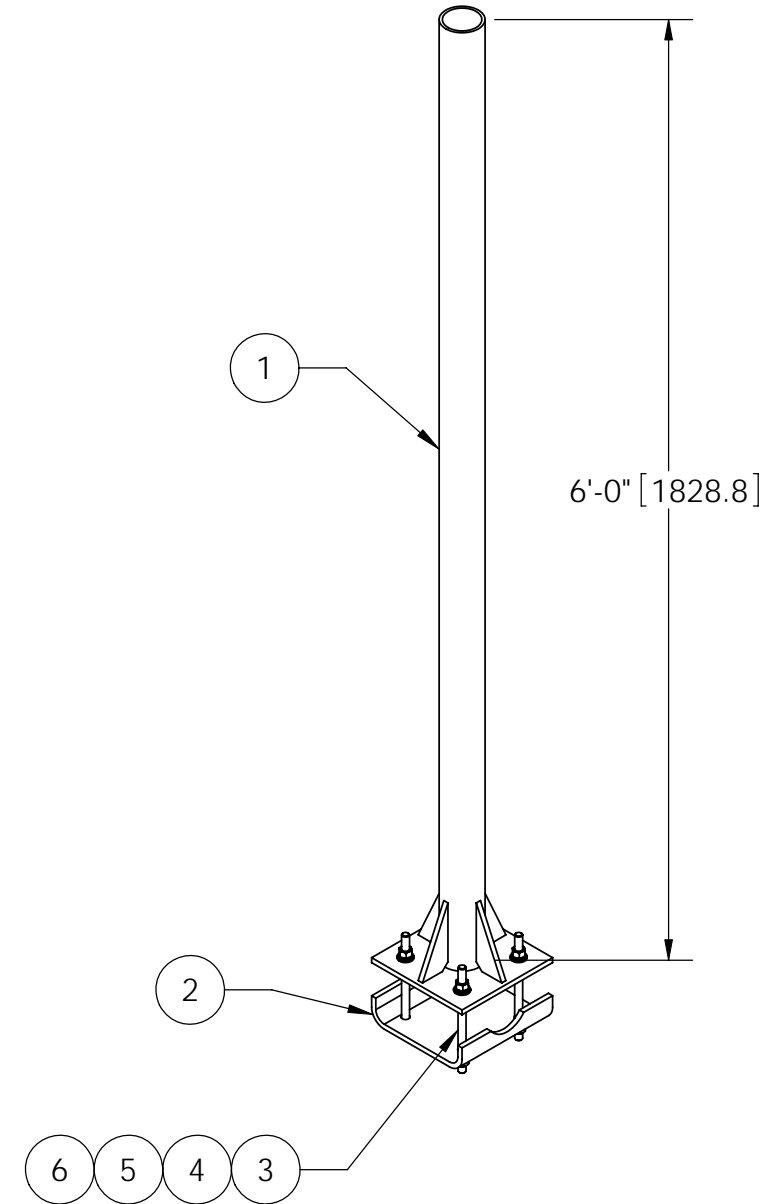
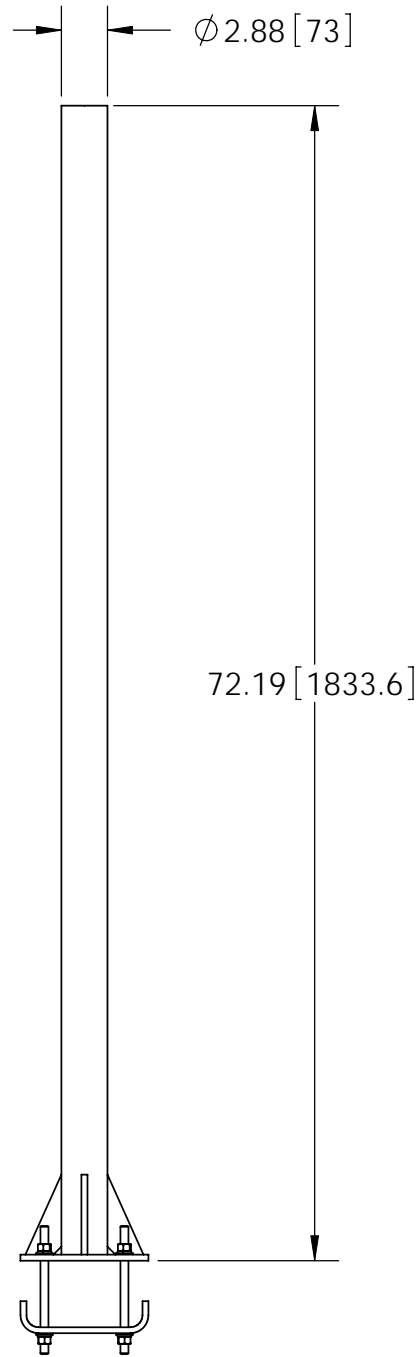
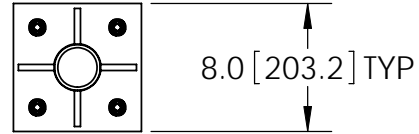



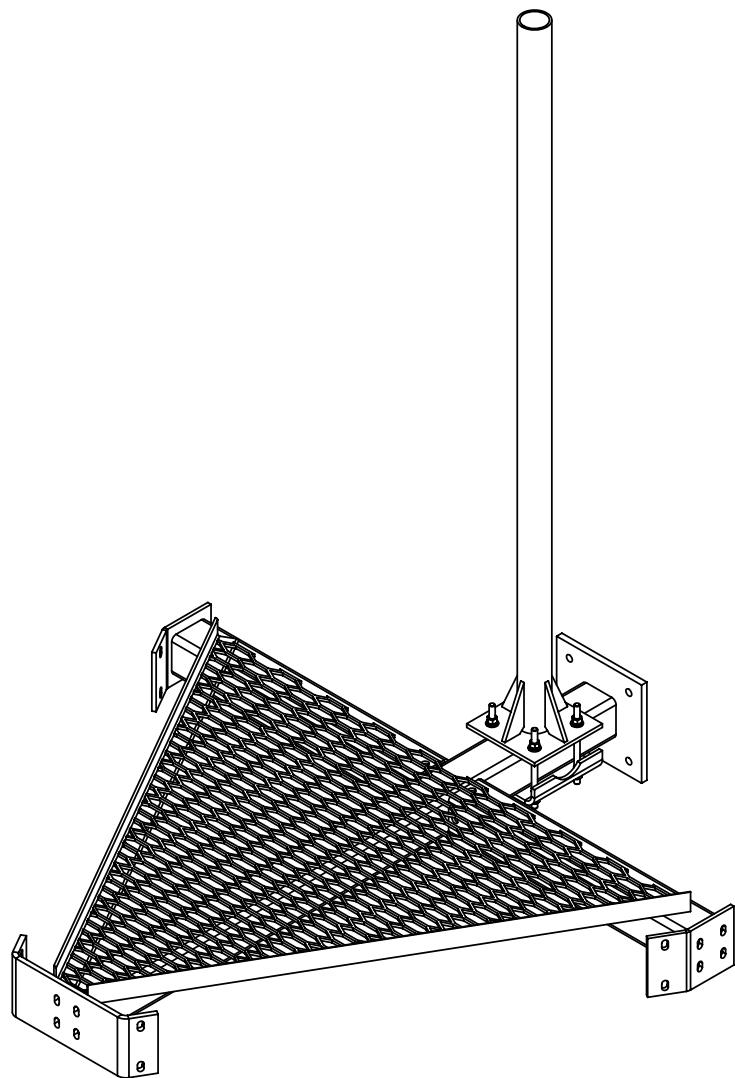
ITEM	PART NO.	DESCRIPTION	QTY.	WEIGHT
1	MTC990901	Antenna Mount Weldment	1	42.84 LBS
2	MTC990902	Bottom Bracket	1	8.41 LBS
3	MT-379-8	1/2" X 8" GALV THREADED ROD	4	0.44 LBS
4	GWF-04	1/2" GALV FLAT WASHER	8	0.01 LBS
5	GWL-04	1/2" GALV LOCK WASHER	8	0.01 LBS
6	GN-04	1/2" GALV HEX NUT	8	0.04 LBS

REVISIONS				
REV.	ZONE	DESCRIPTION	BY	DATE
A		INITIAL RELEASE	MSM	04/20/09
B		UPDATE POST FROM ϕ 3.50" O.D. X 7'L	ACG	05/11/09

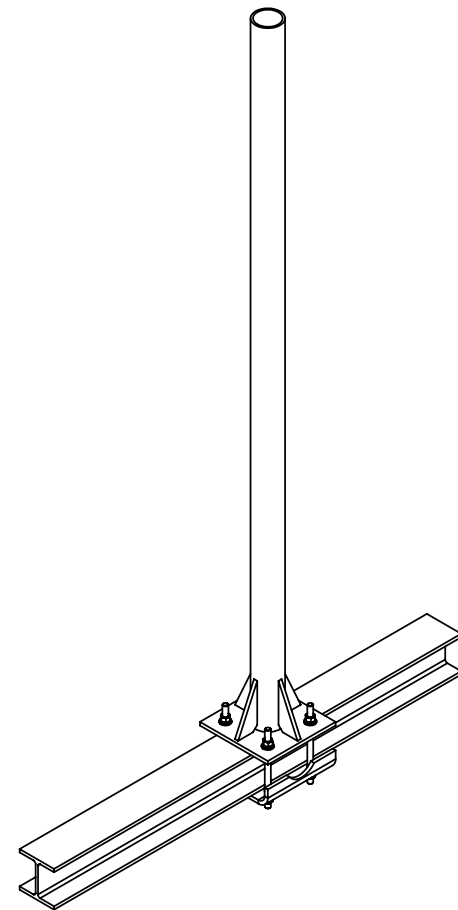


NOTES:
1. ALL METRIC DIMENSIONS ARE IN BRACKETS.

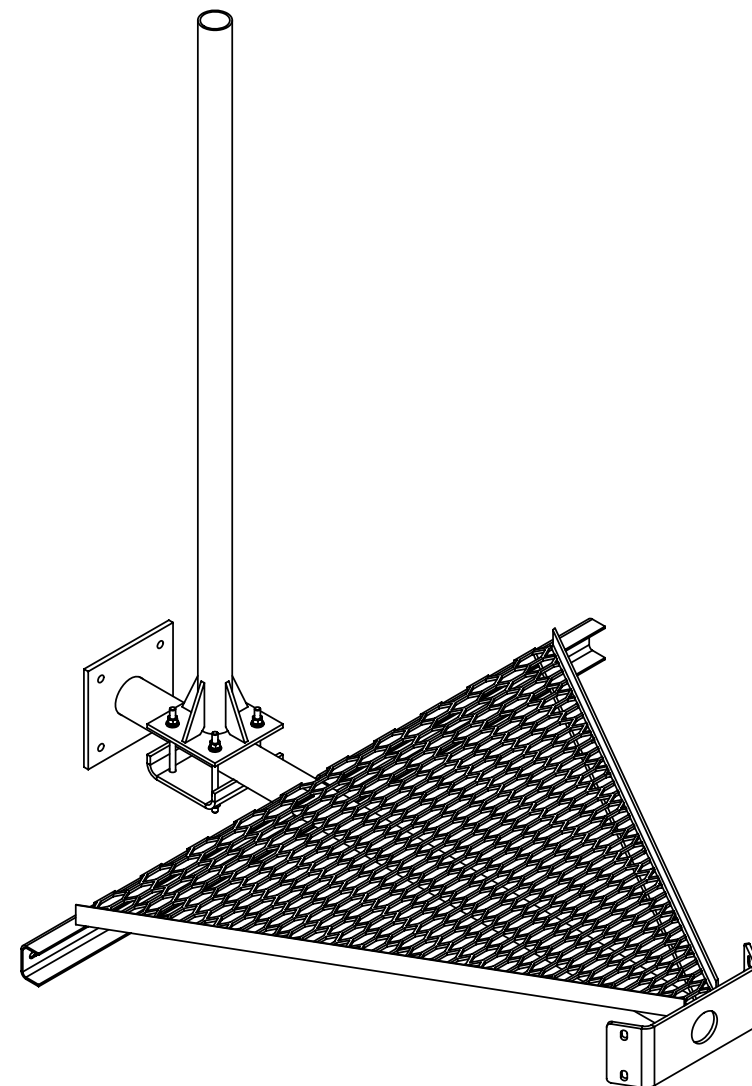
<small>These drawings and specifications are the proprietary property of ANDREW CORPORATION and may be used only for the specific purpose authorized in writing by Andrew Corporation.</small> ALL DIMENSIONS ARE IN INCHES U.O.S. TOLERANCES UNLESS OTHERWISE SPECIFIED: .X = ± .12 ANGLES ±2° .XX = ± .06 FRACTIONS ±1/32 .XXX = ± .03 REMOVE BURRS AND BREAK EDGES .005 DO NOT SCALE THIS PRINT	DRAWN BY: MSM	SHEET: 1 of 2	PART NUMBER: MTC9909
	CHECKED BY: TP	SCALE: NTS	DESCRIPTION: 2.88" OD x 72" MAST KIT
	DATE: 04/20/09	MATERIAL: A36, A53	DRAWING TYPE: ASSEMBLY DRAWING
	REVISION: B	FINISH: GALV A123	 WESTCHESTER, IL. 60154 U.S.A.
	WEIGHT: 53.61 LBS		



4" SQUARE TUBE MOUNT



4" I-BEAM MOUNT



3-1/2" ROUND TUBE MOUNT

<p>These drawings and specifications are the proprietary property of ANDREW CORPORATION and may be used only for the specific purpose authorized in writing by Andrew Corporation.</p> <p>ALL DIMENSIONS ARE IN INCHES U.O.S. TOLERANCES UNLESS OTHERWISE SPECIFIED:</p> <p>.X = ± .12 ANGLES ±2° .XX = ± .06 FRACTIONS ±1/32 .XXX = ± .03</p> <p>REMOVE BURRS AND BREAK EDGES .005</p> <p>DO NOT SCALE THIS PRINT</p>	<p>DRAWN BY: MSM</p>	<p>SHEET: 2 of 2</p>	<p>PART NUMBER: MTC9909</p>
	<p>CHECKED BY: TP</p>	<p>SCALE: NTS</p>	<p>DESCRIPTION: 2.88" OD x 72" MAST KIT</p>
	<p>DATE: 04/20/09</p>	<p>MATERIAL: A36, A53</p>	<p>DRAWING TYPE: ASSEMBLY DRAWING</p>
	<p>REVISION: B</p>	<p>FINISH: GALV A123</p>	<p>WEIGHT: 53.61 LBS</p>

