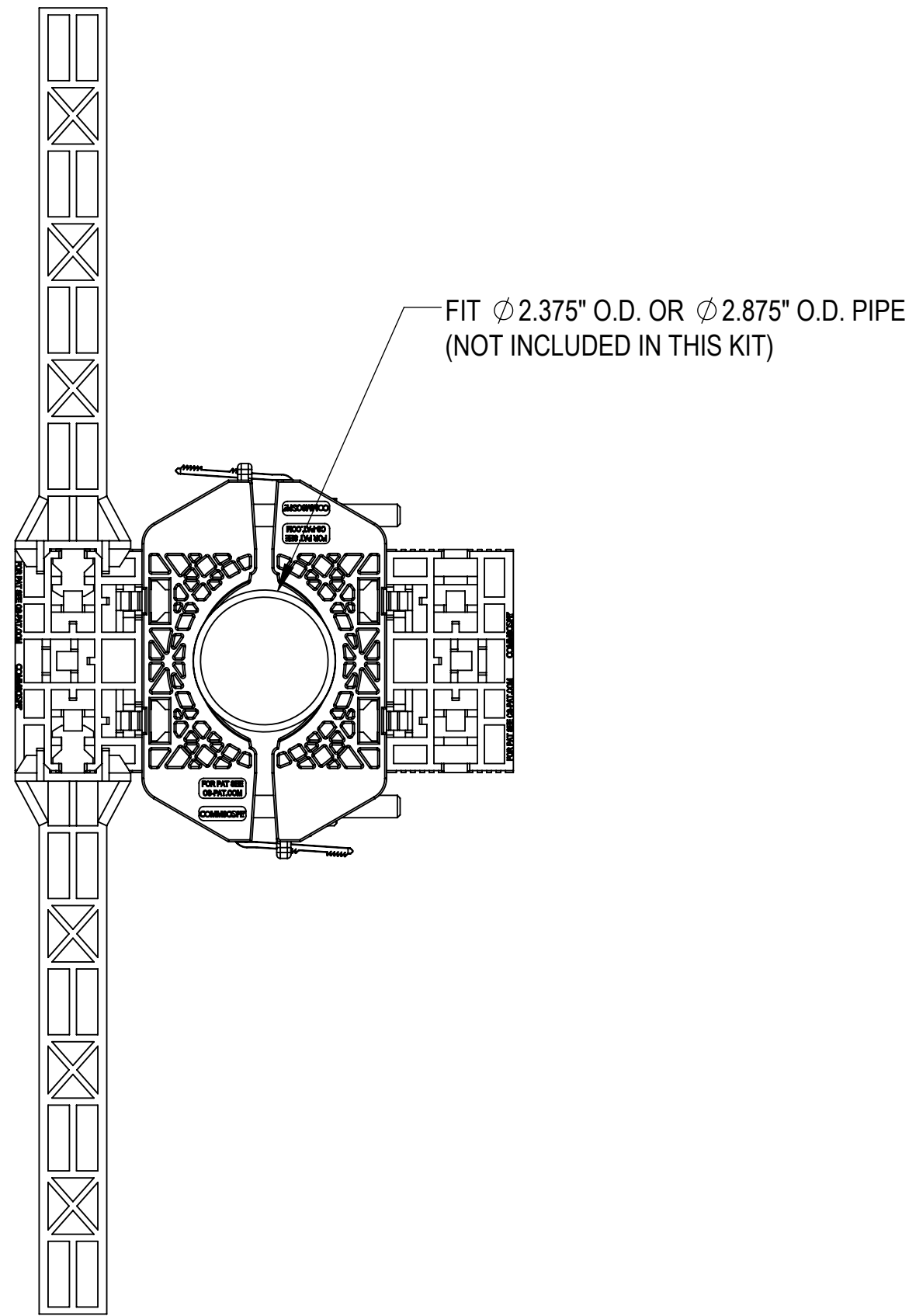
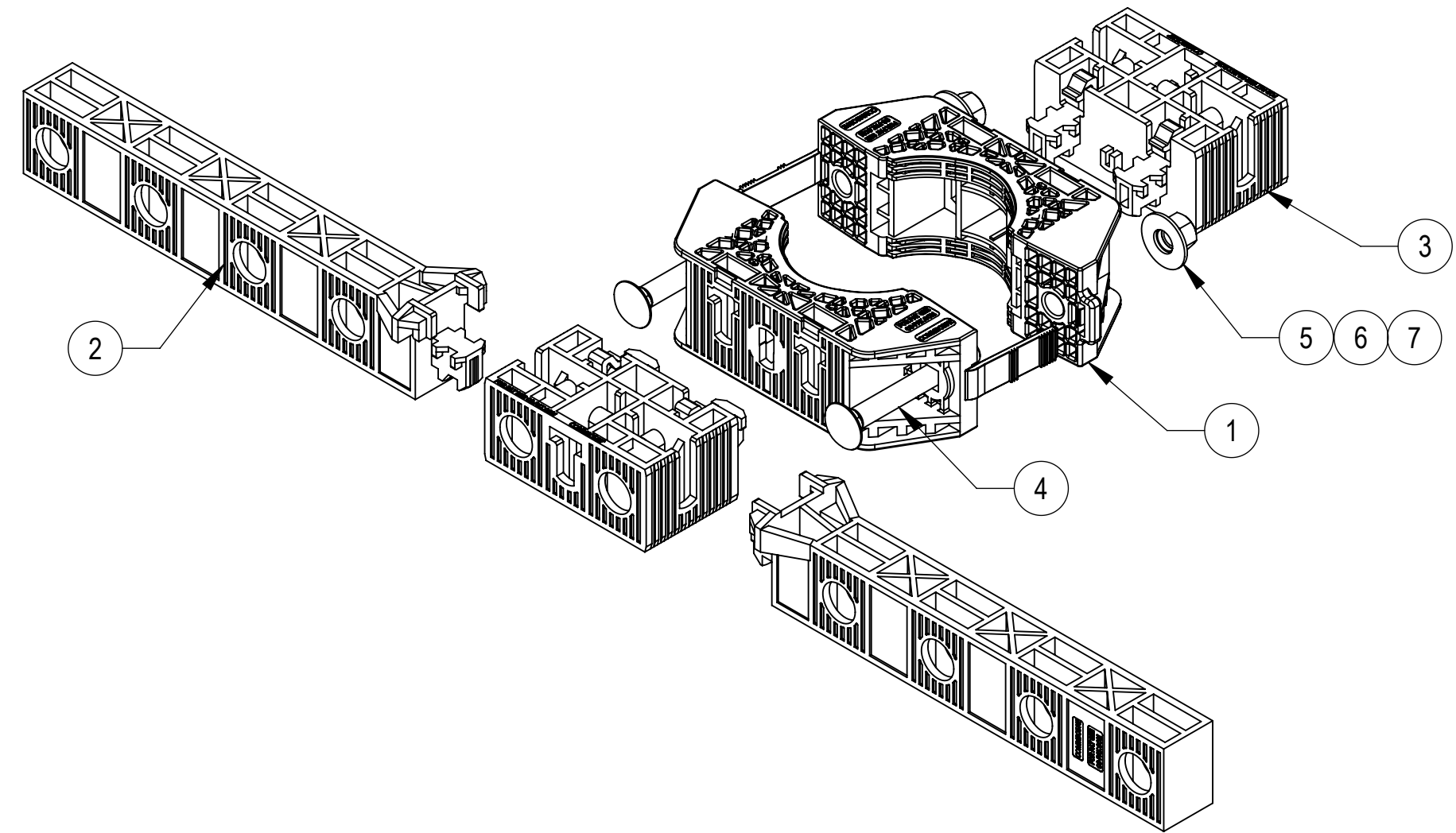


- 1.0 GENERAL NOTES
 - 1.1 ALL METRIC DIMENSIONS ARE IN BRACKETS [X.X]
 - 1.2 FEATURES CRITICAL TO QUALITY ARE INDICATED IN ROUNDED BOX (X.X)
- 2.0 DESIGN NOTES
- 3.0 MANUFACTURING/SPECIAL REQUIREMENTS
 - 3.1 TIGHTEN ALL BOLTS SECURING FLAT PLATES BY THE TURN-OF-NUT METHOD.
- 4.0 TEST
- 5.0 PACKAGING
 - 5.1 PACKAGING MUST BE AGREED TO IN WRITING BY COMMSCOPE PRIOR TO MASS-PRODUCTION APPROVAL.
 - 5.2 PARTS ARE TO BE PACKAGING IN A MANNER TO PREVENT DAMAGE DURING SHIPMENT & STORAGE.
 - 5.3 PACKAGING TO ADHERE TO ALL COMMSCOPE, LOCAL & FOREIGN (WHERE APPLICABLE) SHIPPING REQUIREMENTS.
 - 5.4 PACKAGING & PARTS TO BE FREE OF ALL CONTAMINANTS INCLUDING PAPER FROM BOX, DIRT, DUST, OILS, MOLD RELEASE, DETERGENT AND ALL OTHER FOREIGN MATERIALS.

REVISIONS			
REV.	DESCRIPTION	DATE	APPROVED
A	INITIAL RELEASE	YX1027 24SEP24	JX1030 40205251CMO



ASSEMBLY TOP VIEW



INSTALLATION ASSEMBLY

COMPONENT PART NUMBERS PROVIDED FOR ASSEMBLY PURPOSES; INDIVIDUAL COMPONENTS MAY BE SHIPPED AS PARTS WITHIN AN INCLUDED KIT.

ITEM NO.	PART NUMBER	DESCRIPTION	QTY.	WEIGHT
1	PGCS-1000	CLAMP, FRONT-REAR, POLYMER 4CP	2	0.32 LBS
2	PGCS-5000	PANEL, POLYMER, 8CP	2	0.30 LBS
3	PGCS-6000	ADAPTER, POLYMER, 2CP	2	0.09 LBS
4	9615-15	BOLT, CARRIAGE, 3/8-16, 3, STL GALV	2	0.12 LBS
5	GWF-03	3/8" GALV FLAT WASHER	2	0.01 LBS
6	GWL-03	3/8" GALV LOCK WASHER	2	0.01 LBS
7	GN-03	3/8" GALV HEX NUT	2	0.00 LBS

DENSITY		lbs/in ³
MASS	1.77	lbs
VOLUME	42.24	in ³
SURFACE AREA	712.87	in ²
HEIGHT	2.07"	
LENGTH	21.91"	
WIDTH	8.36"	

COMMSCOPE, INC. OF NORTH CAROLINA									
TOLERANCES					SAP MATERIAL MASTER				
1 PLACE .X[X] ± 0.2[6.3]		3 PLACE .XXX[X] ± 0.060[1.5]			PGP-CS18L				
2 PLACE .XX[X] ± 0.12[3.0]		ANGLES ± 2°							
FINISH					MATERIAL				
UNLESS OTHERWISE SPECIFIED DIMENSIONS ARE IN INCHES INTERPRET PER ANSI Y 14.5M-1994									
	NAME	DATE	TITLE						
CE	YX1027	24SEP24	PG PREMIUM, CBL-SUPPORT, 18-HOLE						
RW	YX1027	09/24/2024							
AD	JX1030	09/24/2024							
RE	YMENG	09/25/2024							
ECN 40205251CMO			SCALE	DOCUMENT NO.					
			1:5	PGP-CS18L					
SIZE	Auth Group	INSL	MODEL			DRAWING			
C			VERSION	STATUS	REVISION	VERSION	STATUS	REVISION	SHEET
			00	RE	A	00	RE	A	1 OF 1