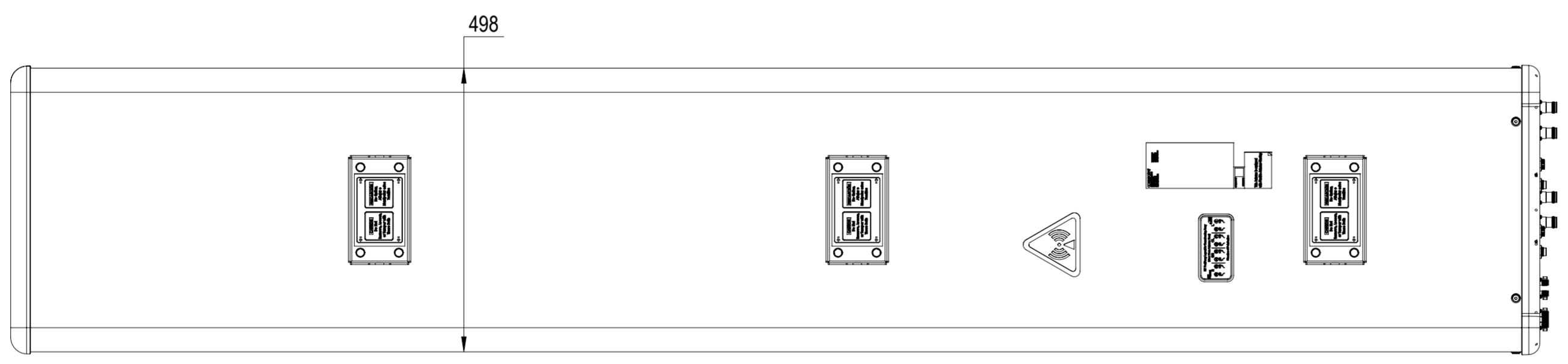
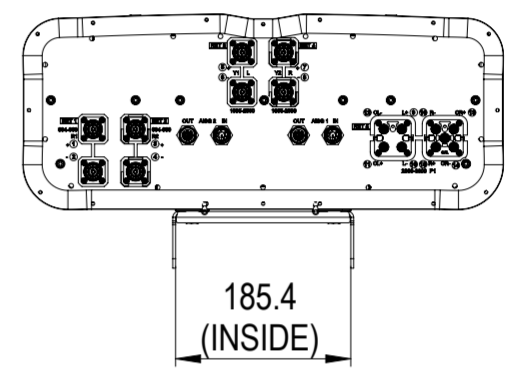
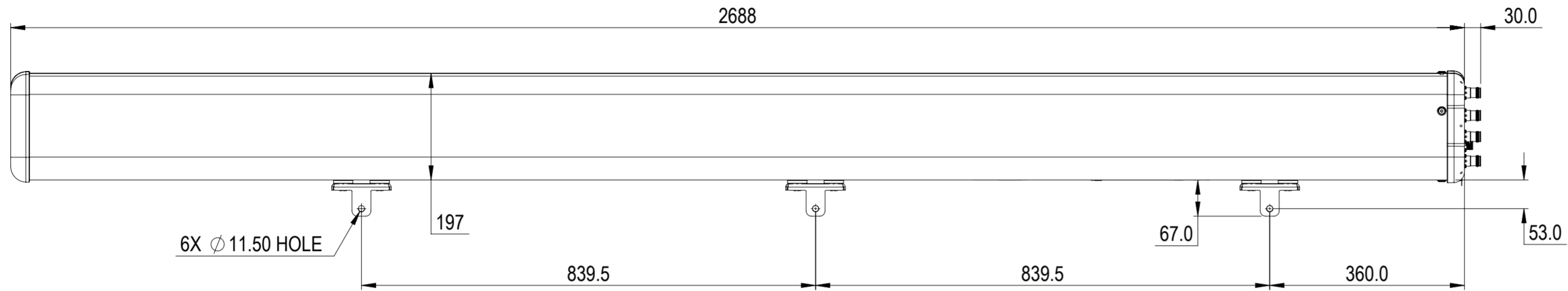


NOTES:

REVISION
A



RRVQ4-65D-R5