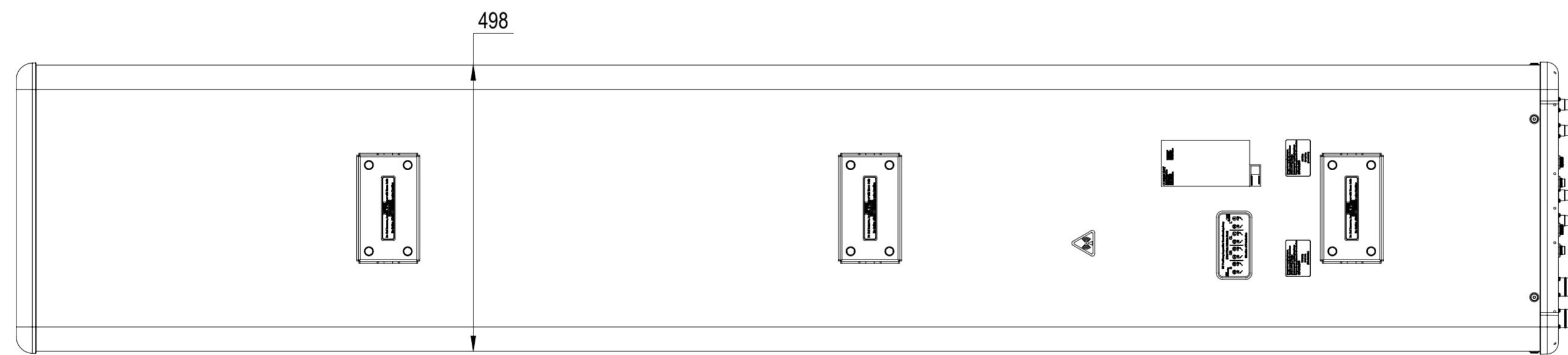
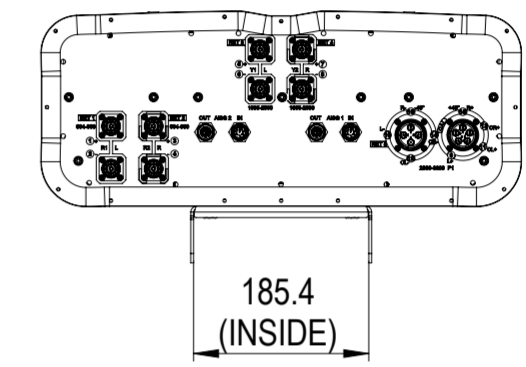
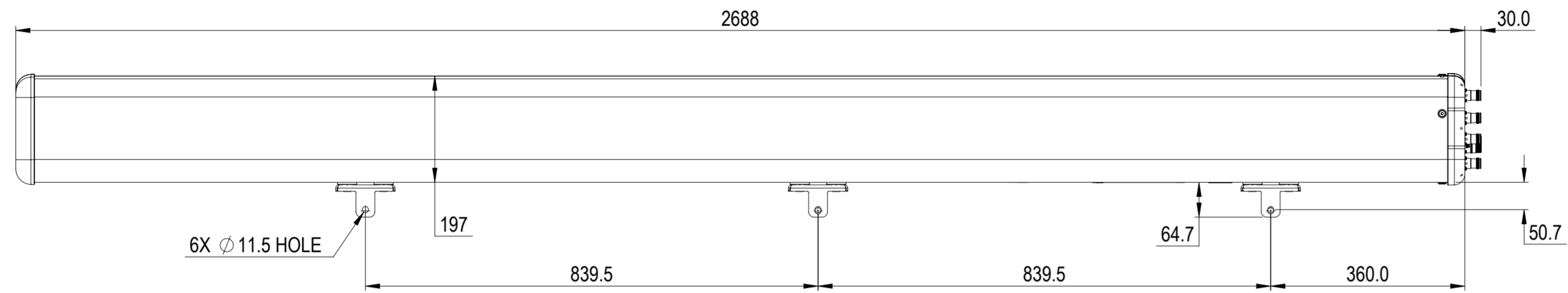


NOTES:

REVISION

A



RRVQ4-65D-R5V4