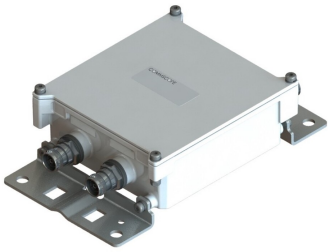


E14F06P83



Ultra Compact Single Diplexer 700-800/900, 4.3-10 connectors

- Ideal for small cell applications
- Compact form factor with reduced size and weight
- Suitable for space limited applications like Metro Cell, Lamp Pole, Concealment Solution and Macro Site
- New 4.3-10 connectors for improved PIM performance and size reduction
- Single configuration
- dc/AISG pass-through on all frequency ports

Product Classification

Product Type Diplexer

General Specifications

Product Family CBC789

Color Gray

Common Port Label Common

Modularity 1-Single

Mounting Pole | Wall

Mounting Pipe Hardware Band clamps (2)

RF Connector Interface 4.3-10 Female

RF Connector Interface Body Style Long neck

Dimensions

Height 59.5 mm | 2.343 in

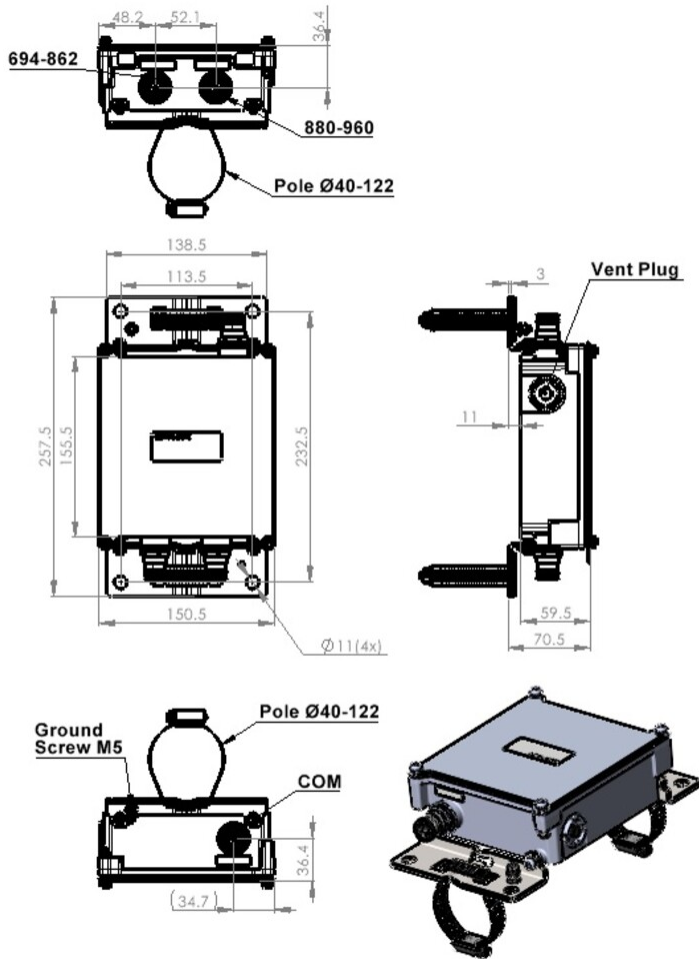
Width 155.5 mm | 6.122 in

Depth 150.5 mm | 5.925 in

Mounting Pipe Diameter Range 43–122 mm

Dimension Drawing

E14F06P83



Electrical Specifications

Impedance	50 ohm
License Band, Band Pass	APT 700 CEL 900 EDD 800 LMR 800

Electrical Specifications, dc Power/Alarm

dc/AISG Pass-through Method	Factory set
dc/AISG Pass-through Path	Branch 1 Branch 2
dc/AISG Pass-through, combiner	Branch 1 Branch 2
Lightning Surge Current	5 kA
Lightning Surge Current Waveform	8/20 waveform
Pass-through Current, maximum	3 A

E14F06P83

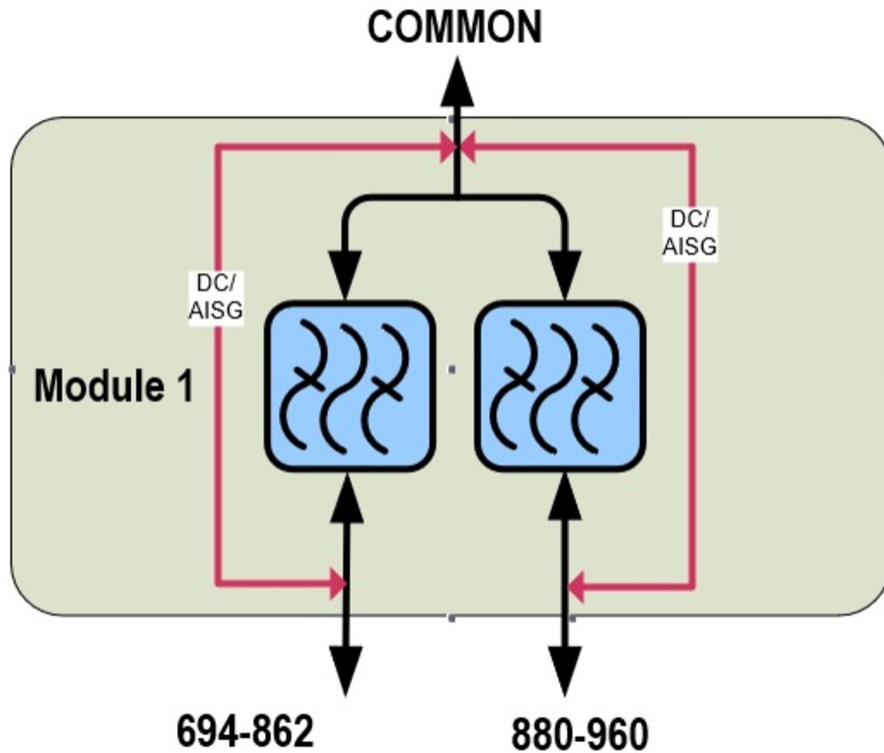
Electrical Specifications

Sub-module	1 2	1 2
Branch	1	2
Port Designation	PORT 1 694-862	PORT 2 880-960
License Band	APT 700, Band Pass EDD 800, Band Pass LMR 800, Band Pass	CEL 900, Band Pass

Electrical Specifications, Band Pass

Frequency Range, MHz	694–862	880–960
Insertion Loss, typical, dB	0.3	0.3
Return Loss, minimum, dB	18	18
Return Loss, typical, dB	22	22
Isolation, minimum, dB	50	50
Isolation, typical, dB	53	53
Input Power, RMS, maximum, W	300	300
Input Power, PEP, maximum, W	3000	3000
3rd Order PIM, typical, dBc	-160	-160
3rd Order PIM Test Method	Two +43 dBm carriers	Two +43 dBm carriers

Block Diagram



Environmental Specifications

Operating Temperature	-40 °C to +65 °C (-40 °F to +149 °F)
Corrosion Test Method	IEC 60068-2-11, 30 days
Ingress Protection Test Method	IEC 60529:2001, IP67

Packaging and Weights

Included	Mounting hardware
Weight, net	2.3 kg 5.071 lb
Weight, without mounting hardware	1.95 kg 4.299 lb

Regulatory Compliance/Certifications

Agency	Classification
ISO 9001:2015	Designed, manufactured and/or distributed under this quality management system