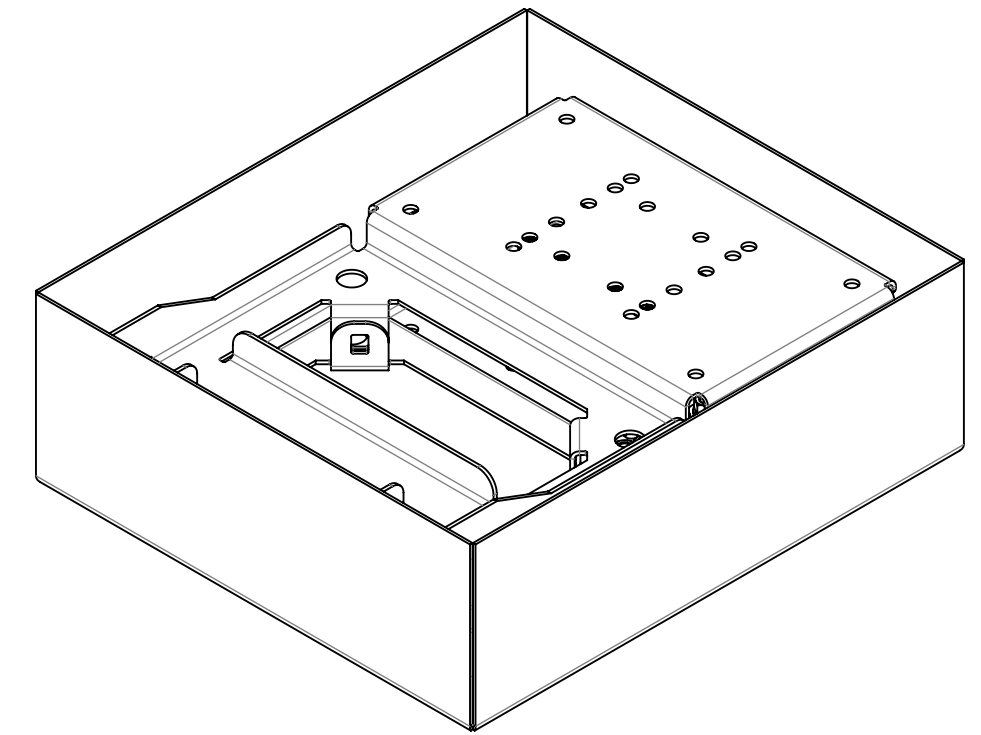
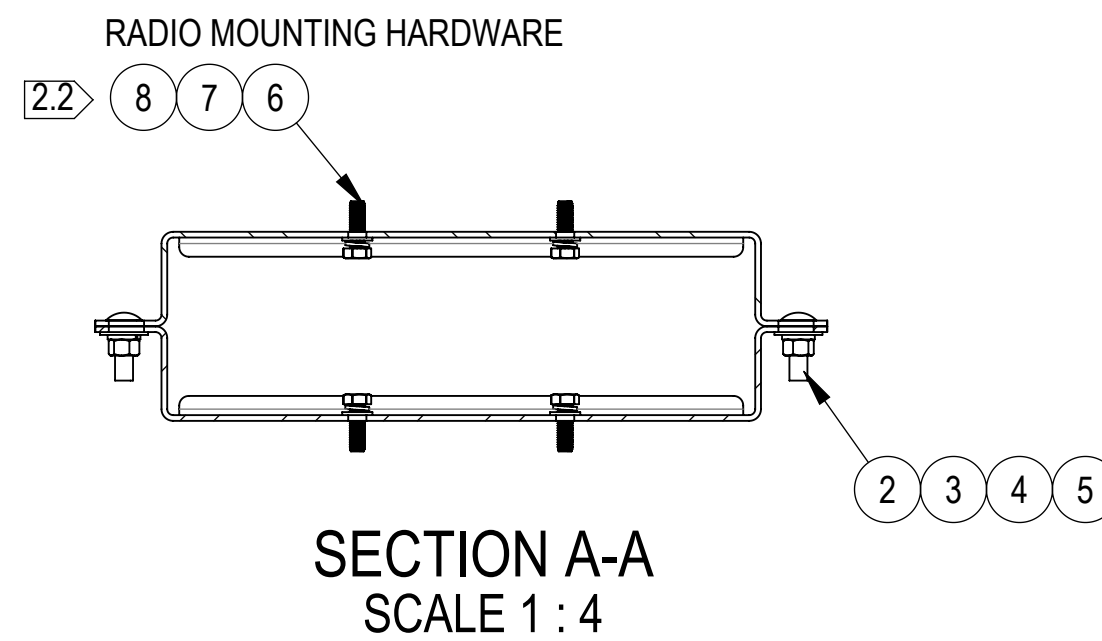
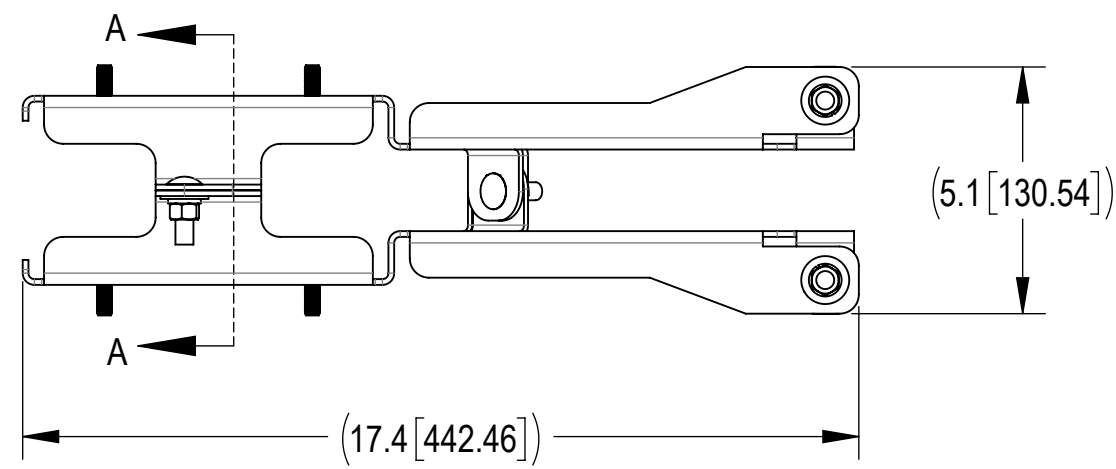
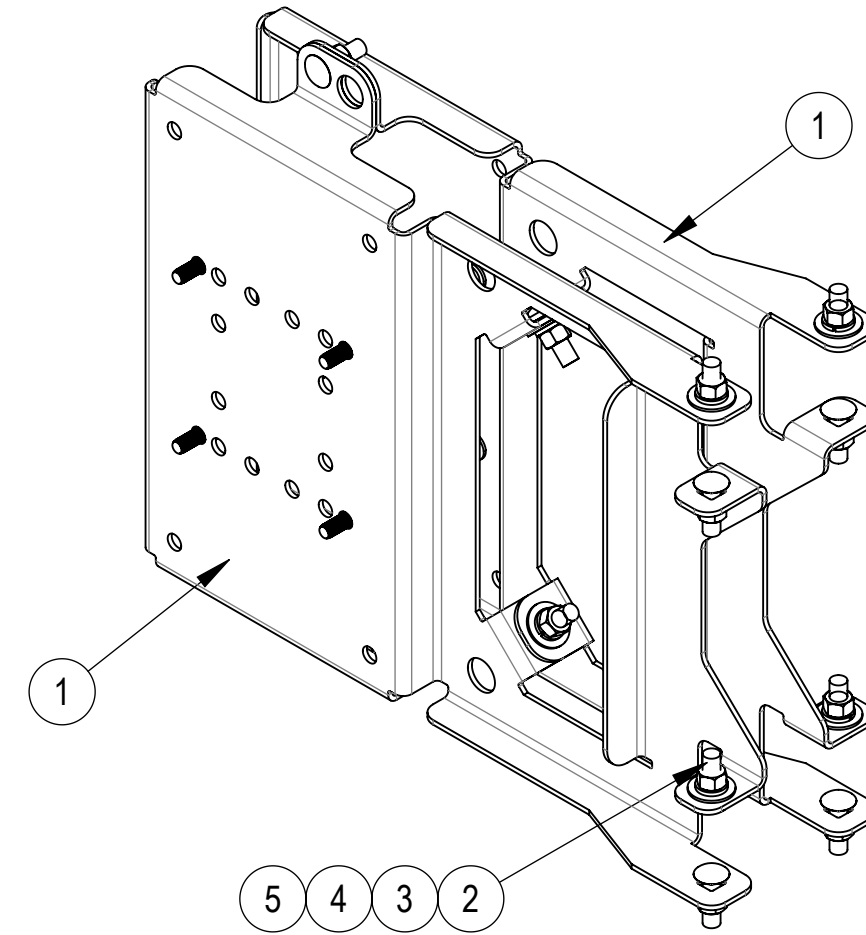
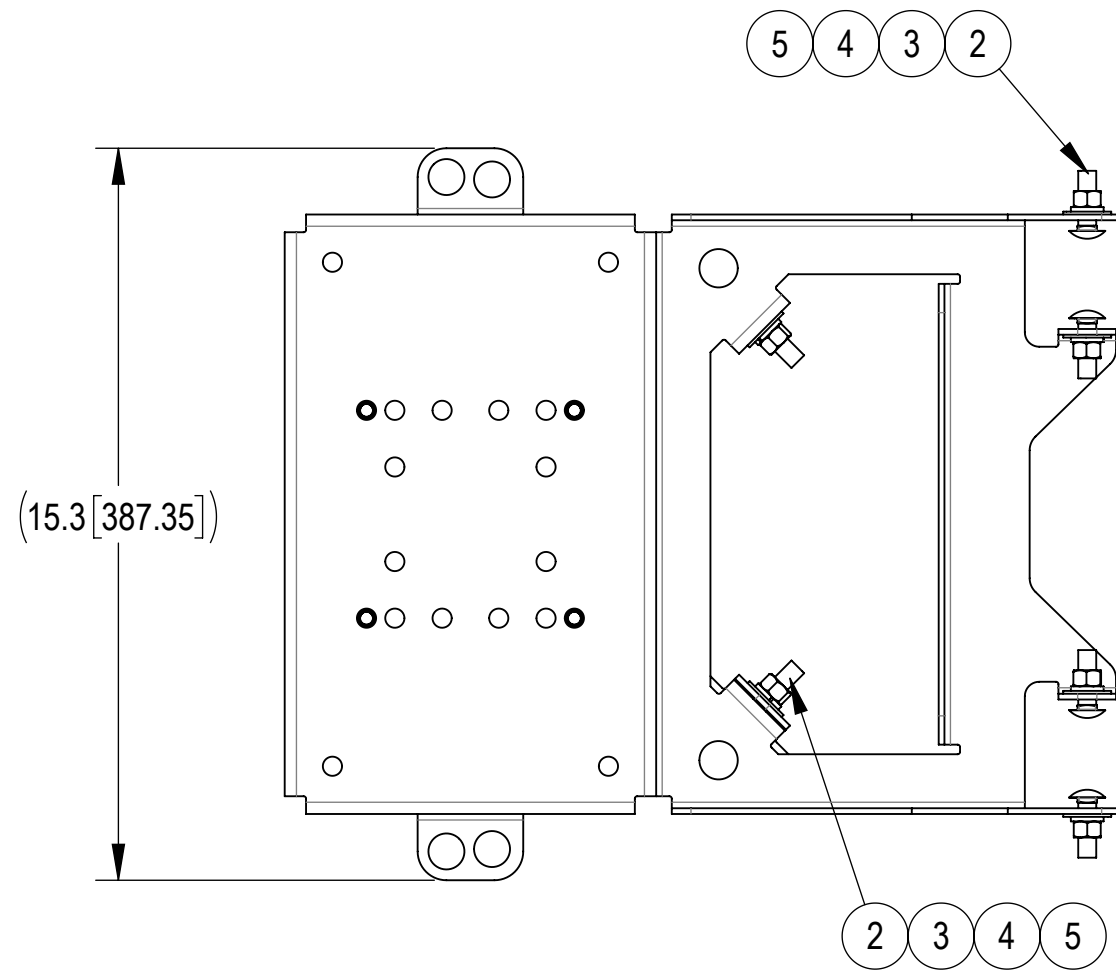


- 1.0 GENERAL NOTES
  - 1.1 ALL METRIC DIMENSIONS ARE IN BRACKETS [X. X]
  - 1.2 FOR PATENT INFO: <https://www.cs-pat.com>
- 2.0 DESIGN NOTES
  - 2.1 MAXIMUM EQUIPMENT WEIGHT PER MOUNTING BRACKET = 50KG (110 LB)
  - 2.2 BOLTS/NUTS/WASHERS USE TO ATTACH INTERFACE BRACKET TO RADIO ARE TO BE PER RADIO MANUFACTURERS SPECIFICATIONS INCLUDING TORQUE.
- 3.0 MANUFACTURING/SPECIAL REQUIREMENTS
- 4.0 TEST
- 5.0 PACKAGING
  - 5.1 PACKAGING SHALL MEET COMMSCOPE REQUIREMENTS PER DOCUMENT IS-PL-3005
  - 5.2 PRINTED DOCUMENT TO BE PLACED INSIDE POLYBAG AND THEN IN SHIPPING CONTAINER
  - 5.3 EXTRA HARDWARE MAY BE SUPPLIED, BAGGED AND SHIPPED

REVISIONS			
REV.	DESCRIPTION	DATE	APPROVED
A	INITIAL RELEASE	NSUN 11SEP24	YZ1080 40204360CMO
B	UPDATED FOR BRACKET CHANGE	YX1027 09OCT24	YZ1080 40204940CMO



COMPONENT PART NUMBERS PROVIDED FOR ASSEMBLY PURPOSES;  
INDIVIDUAL COMPONENTS MAY BE SHIPPED AS PARTS WITHIN AN INCLUDED KIT.

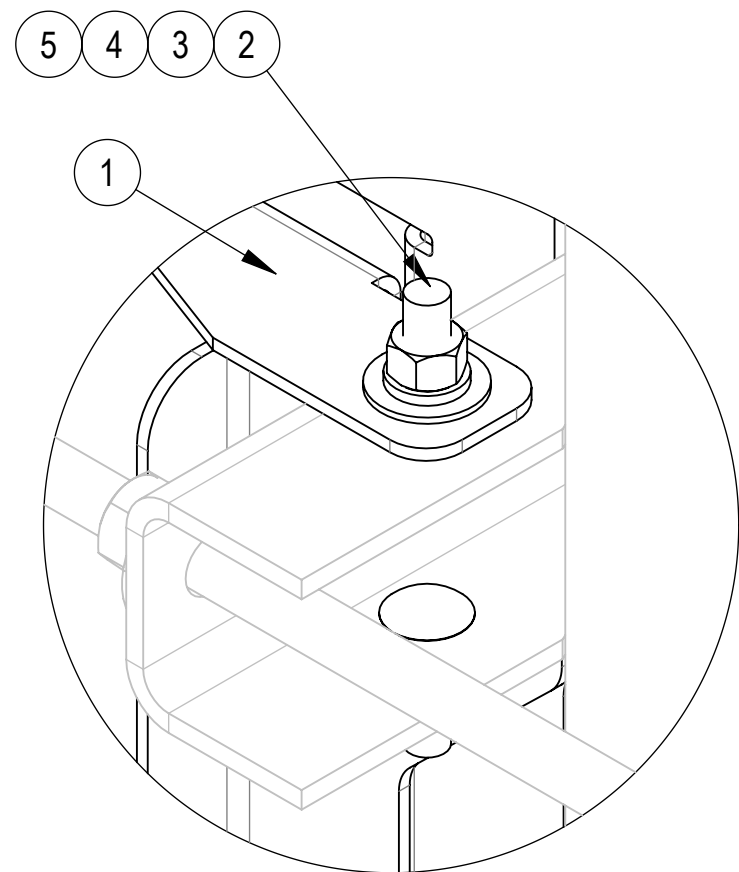
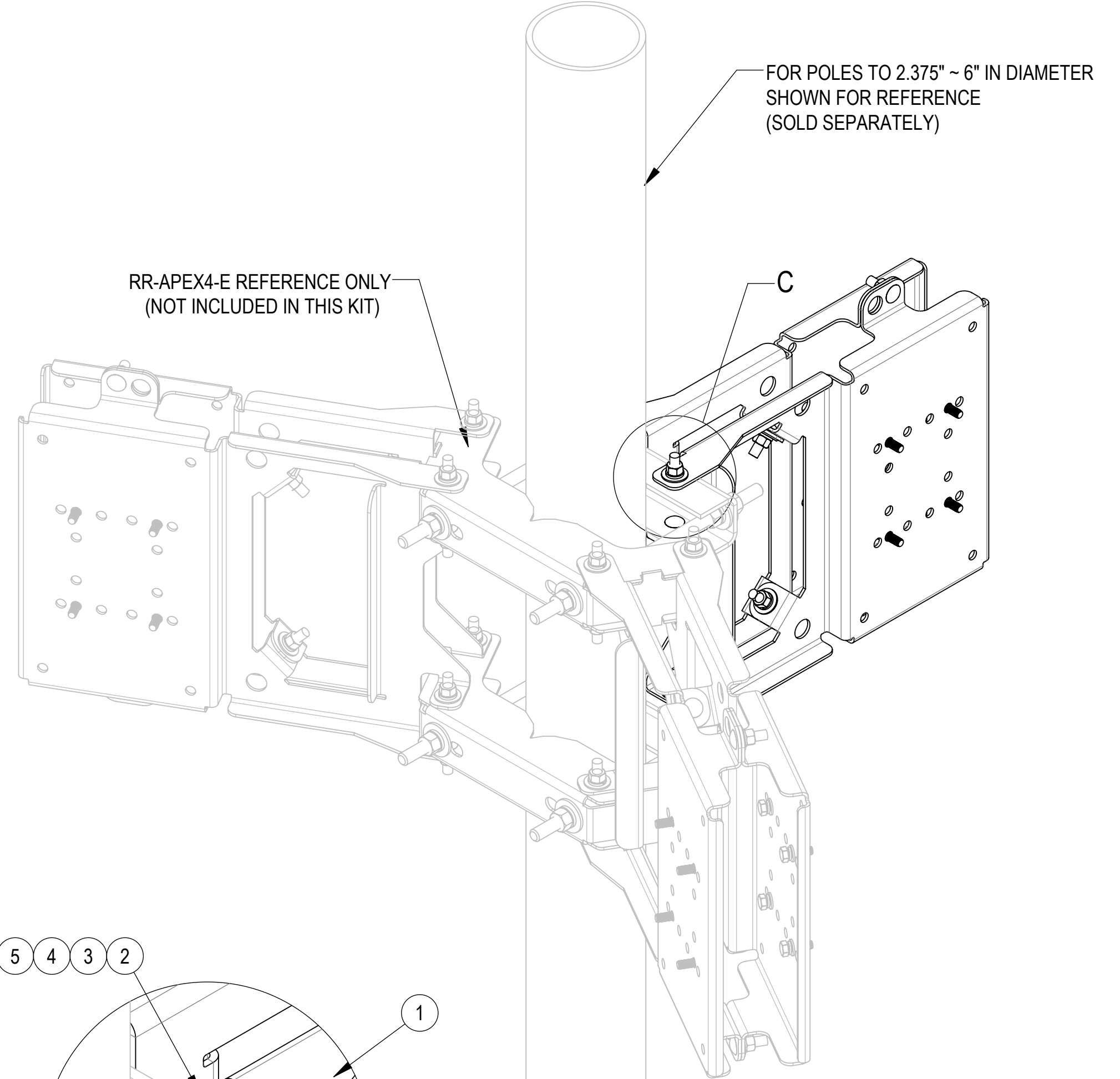
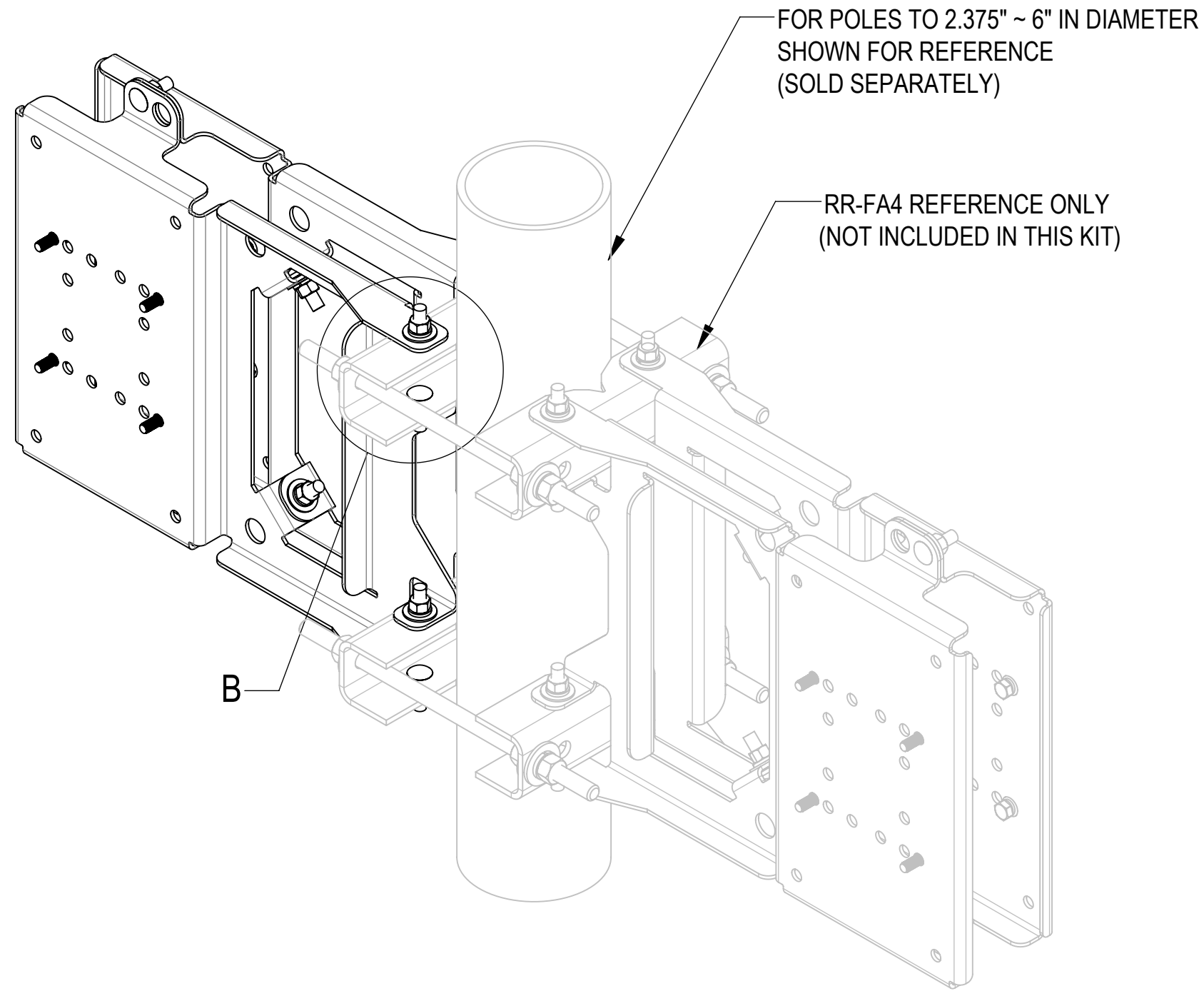
ITEM	PART NO.	DESCRIPTION	QTY.	WEIGHT	NOTE NO.
1	MTC378905-00	BRACKET, RRU MOUNTING, RR-FAX	2	7.35 LBS	
2	MTC8196	3/8 X 1-1/4" CARRIAGE BOLT	12	0.052 LBS	
3	GWFL-03	3/8" GALV FLAT WASHER	12	0.01 LBS	
4	GWL-03	3/8" GALV LOCK WASHER	12	0.01 LBS	
5	GN-03	3/8" GALV HEX NUT	12	0.02 LBS	
6	MTC9415	M8 X 25mm HEX BOLT SS	8	0.032 LBS	
7	MTC9418	M8 LOCK WASHER SS	8	0.002 LBS	
8	MTC9419	M8 FLAT WASHER SS	8	0.004 LBS	

DENSITY	16.06	lbs/in <sup>3</sup>
MASS	16.06	lbs
VOLUME	56.51	in <sup>3</sup>
SURFACE AREA	1007.02	in <sup>2</sup>
HEIGHT	15.3"	
LENGTH	17.4"	
WIDTH	5.1"	

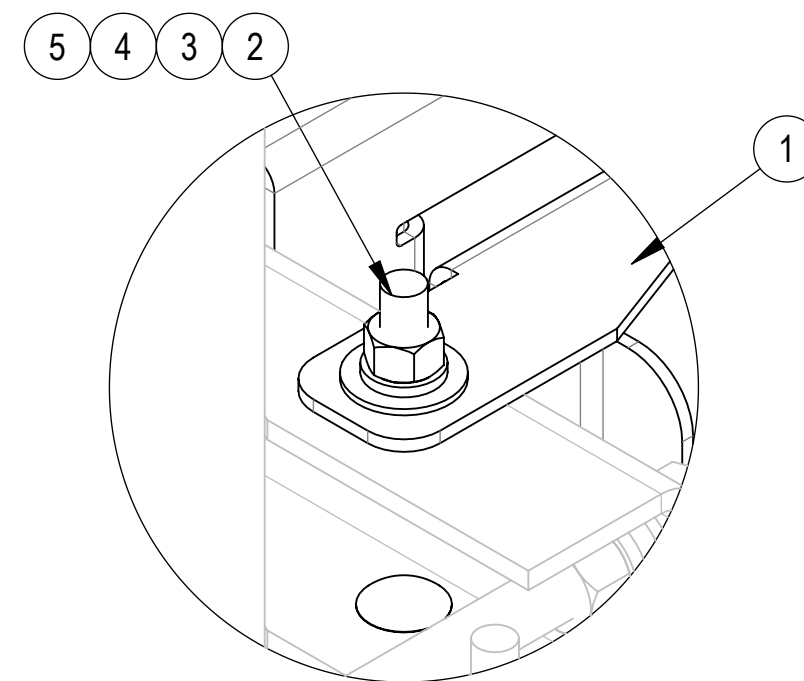
COMMSCOPE, INC. OF NORTH CAROLINA									
TOLERANCES					SAP MATERIAL MASTER				
0 PLACE .X[X] ± 0.25[6.3]		2 PLACE .XX[X] ± 0.06[1.5]			RR-FA4-AMK-001				
1 PLACE .X[X] ± 0.12[3.0]		ANGLES ± 2°							
FINISH					MATERIAL				
UNLESS OTHERWISE SPECIFIED DIMENSIONS ARE IN INCHES INTERPRET PER ANSI Y 14.5M-1994									
NAME		DATE		TITLE					
CE NSUN		11SEP24		RRH MOUNT, ERICSSON, 4-RADIOS, AMK, UPGRADE					
RW YMENG		10/09/2024							
AD YZ1080		10/09/2024		SCALE		DOCUMENT NO.			
RE YMENG		10/09/2024		1:4		RR-FA4-AMK-001			
ECN 40204940CMO									
SIZE		Auth Group		INSL		MODEL		DRAWING	
C		[Symbol]		[Symbol]		VERSION		STATUS	
		01		RE		C		01	
		RE		C		RE		B	
SHEET 1 OF 11									

APPLICABLE PIPE DIAMETER FOR EXTERNAL HOLES

APPLICABLE PIPE DIAMETER FOR EXTERNAL HOLES



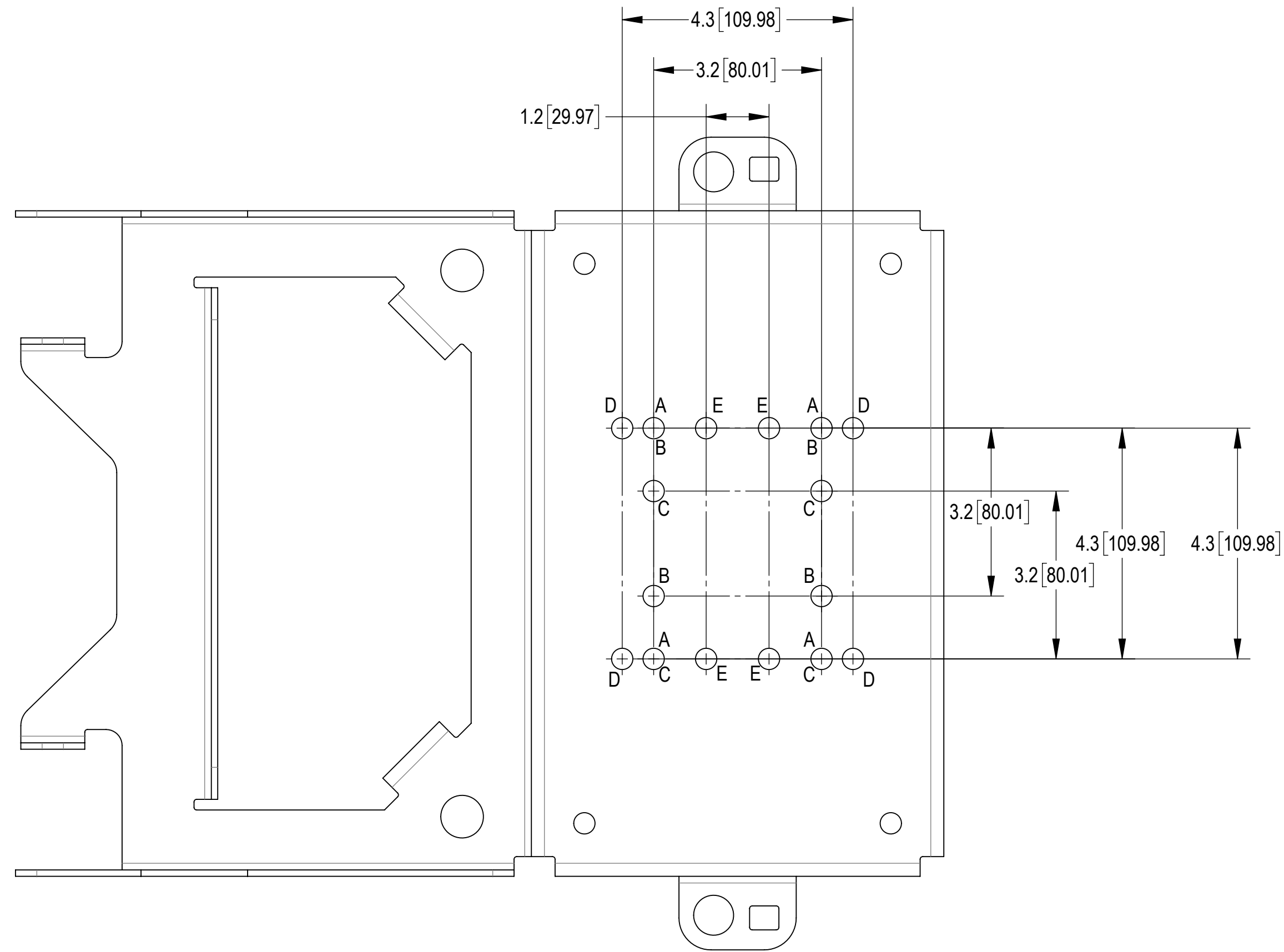
**DETAIL B**  
SCALE 2 : 3




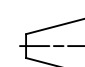
**DETAIL C**  
SCALE 2 : 3

COMMSCOPE, INC. OF NORTH CAROLINA				
TITLE RRH MOUNT, ERICSSON, 4-RADIOS, AMK, UPGRADE				
SIZE <b>C</b>	SCALE <b>1:4</b>	DOCUMENT NO. <b>RR-FA4-AMK-001</b>		
		DRAWING		SHEET
		VERSION	STATUS	REVISION
		01	RE	B
				2 OF 11

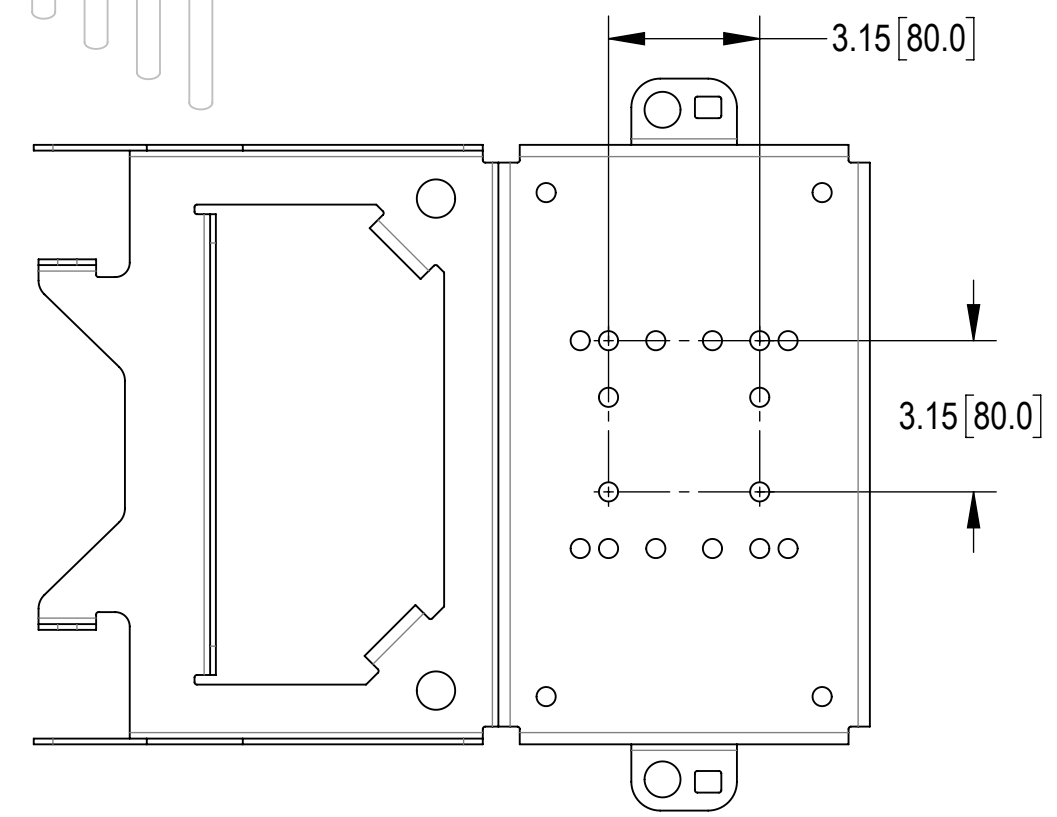
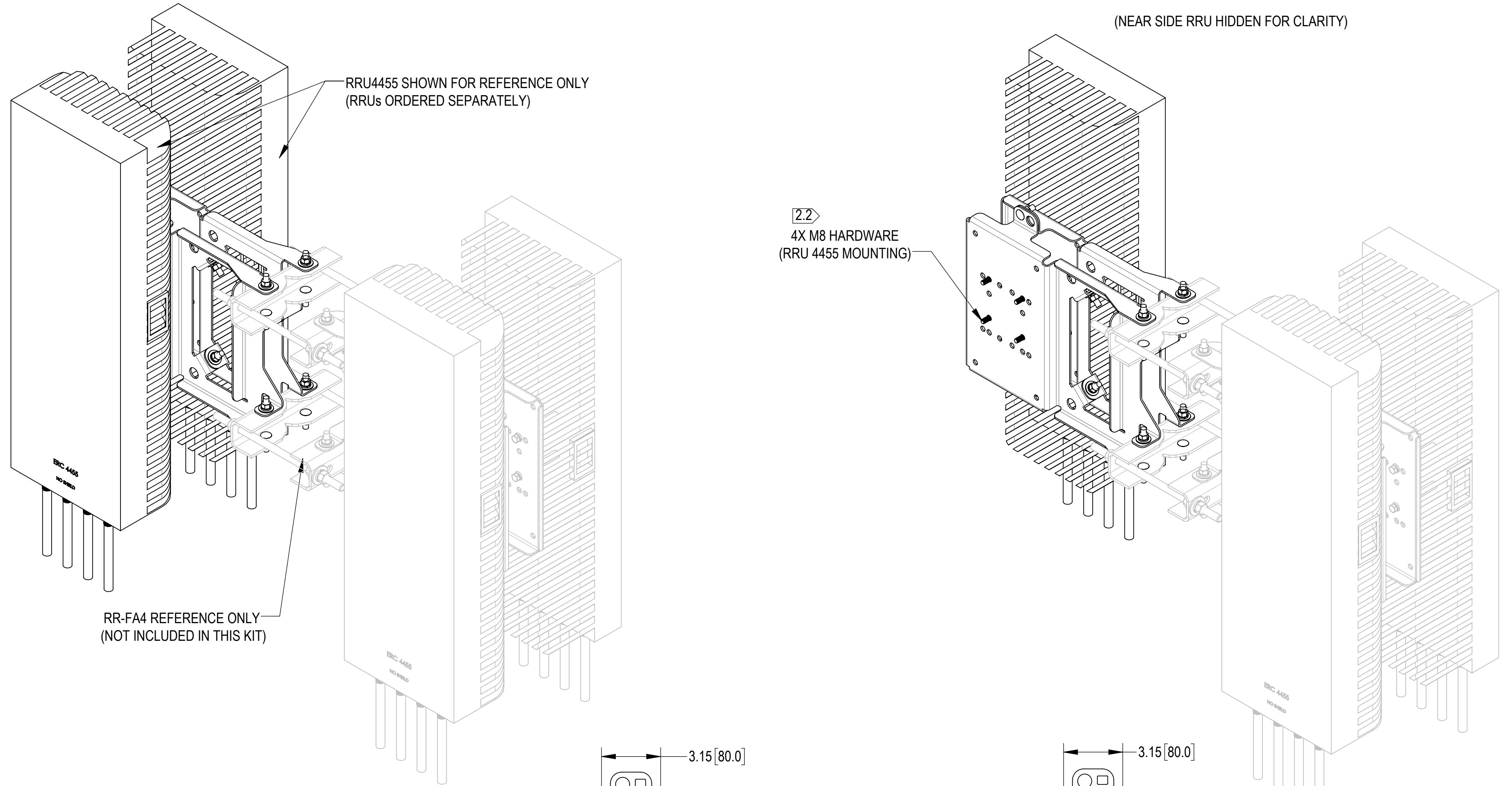
# MOUNTING HOLES POSITION



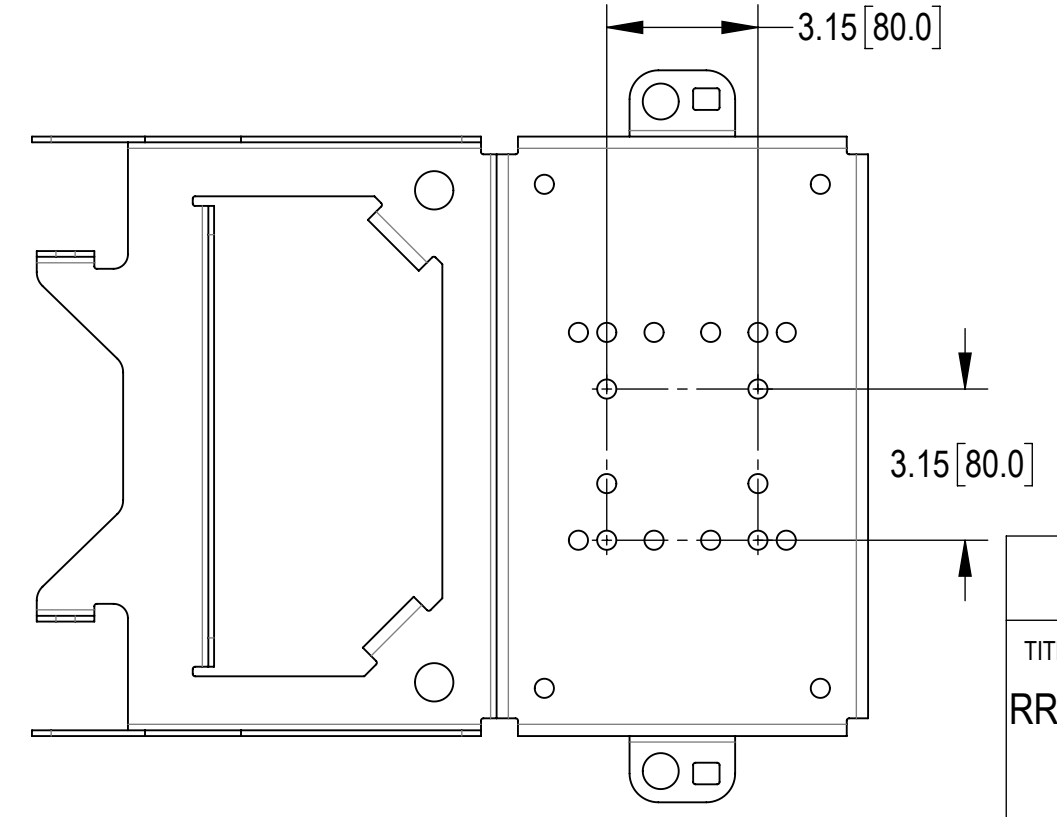
"A": 4449/4467/4490/4890/8843/8863  
 "B": 4455  
 "C": 4455  
 "D": 4435/4460/1281/5322  
 "E": 4415/4426/4478/6308

COMMSCOPE, INC. OF NORTH CAROLINA				
TITLE RRH MOUNT, ERICSSON, 4-RADIOS, AMK, UPGRADE				
SIZE <b>C</b>	SCALE <b>1:4</b>	DOCUMENT NO. <b>RR-FA4-AMK-001</b>		
 		DRAWING		SHEET 3 OF 11
		VERSION 01	STATUS RE	

BRACKET COMPATIBLE WITH 4455 RADIO/AIR MOUNTING ON RR-FA4



OPTION 1



OPTION 2

MOUNTING HOLES POSITION

COMMSCOPE, INC. OF NORTH CAROLINA				
TITLE RRH MOUNT, ERICSSON, 4-RADIOS, AMK, UPGRADE				
SIZE <b>C</b>	SCALE <b>1:4</b>	DOCUMENT NO. <b>RR-FA4-AMK-001</b>		
		DRAWING		SHEET
		VERSION	STATUS	REVISION
		01	RE	B
				4 OF 11



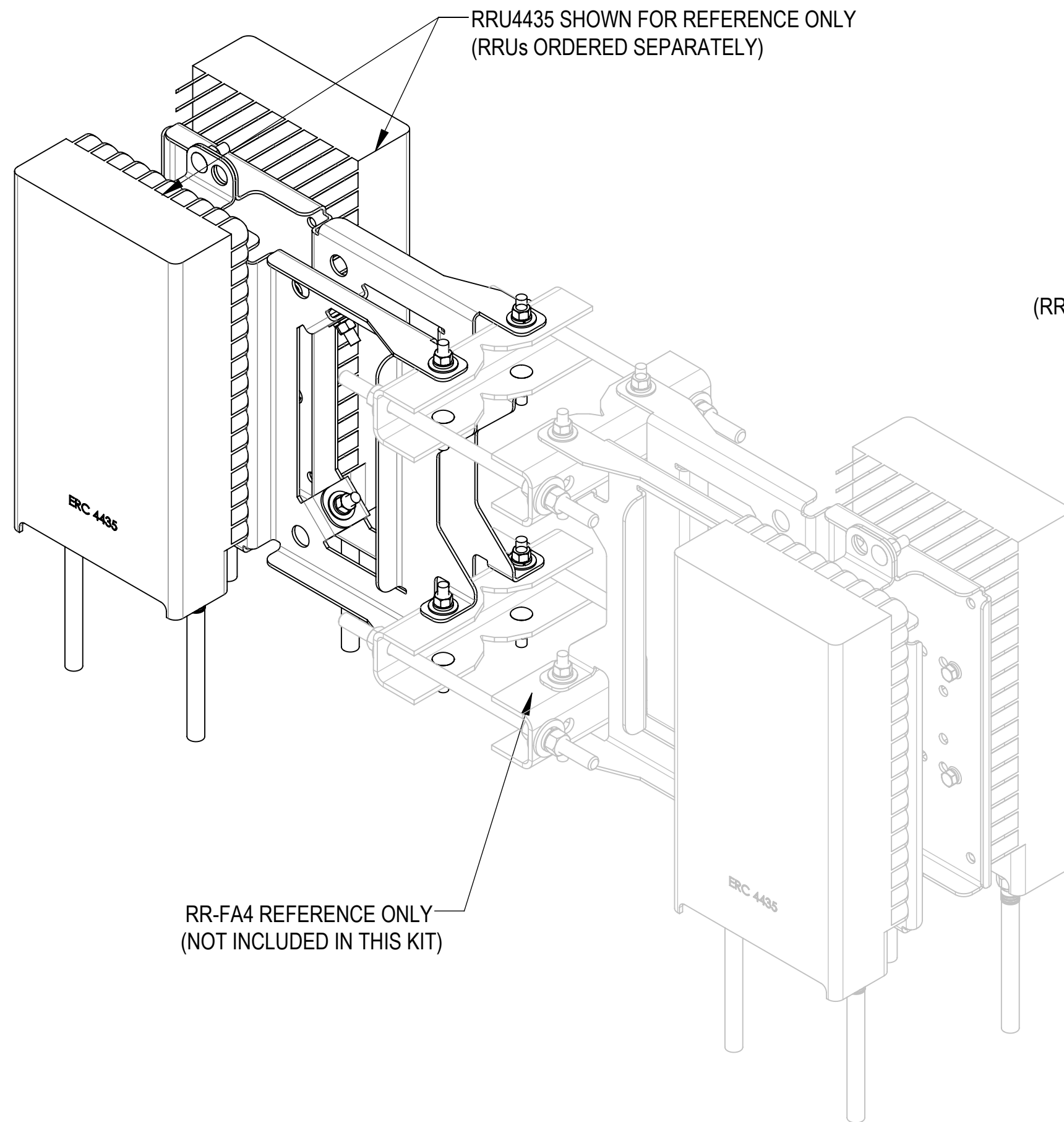
4

3

2

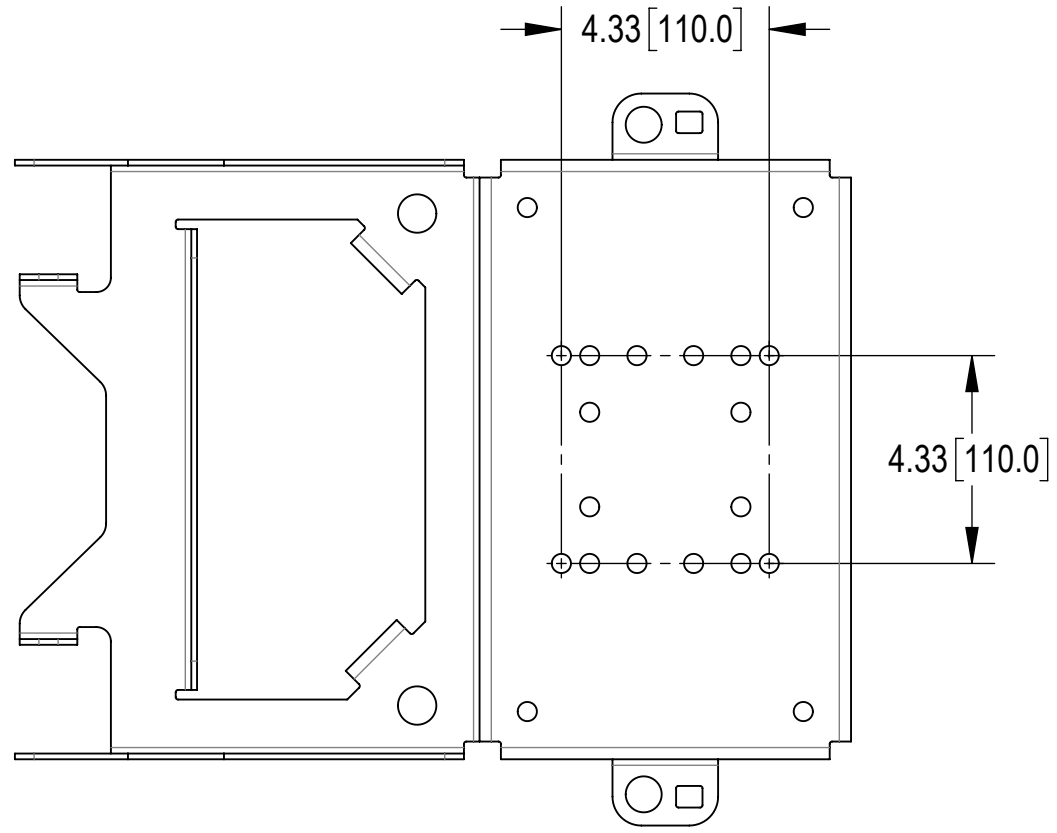
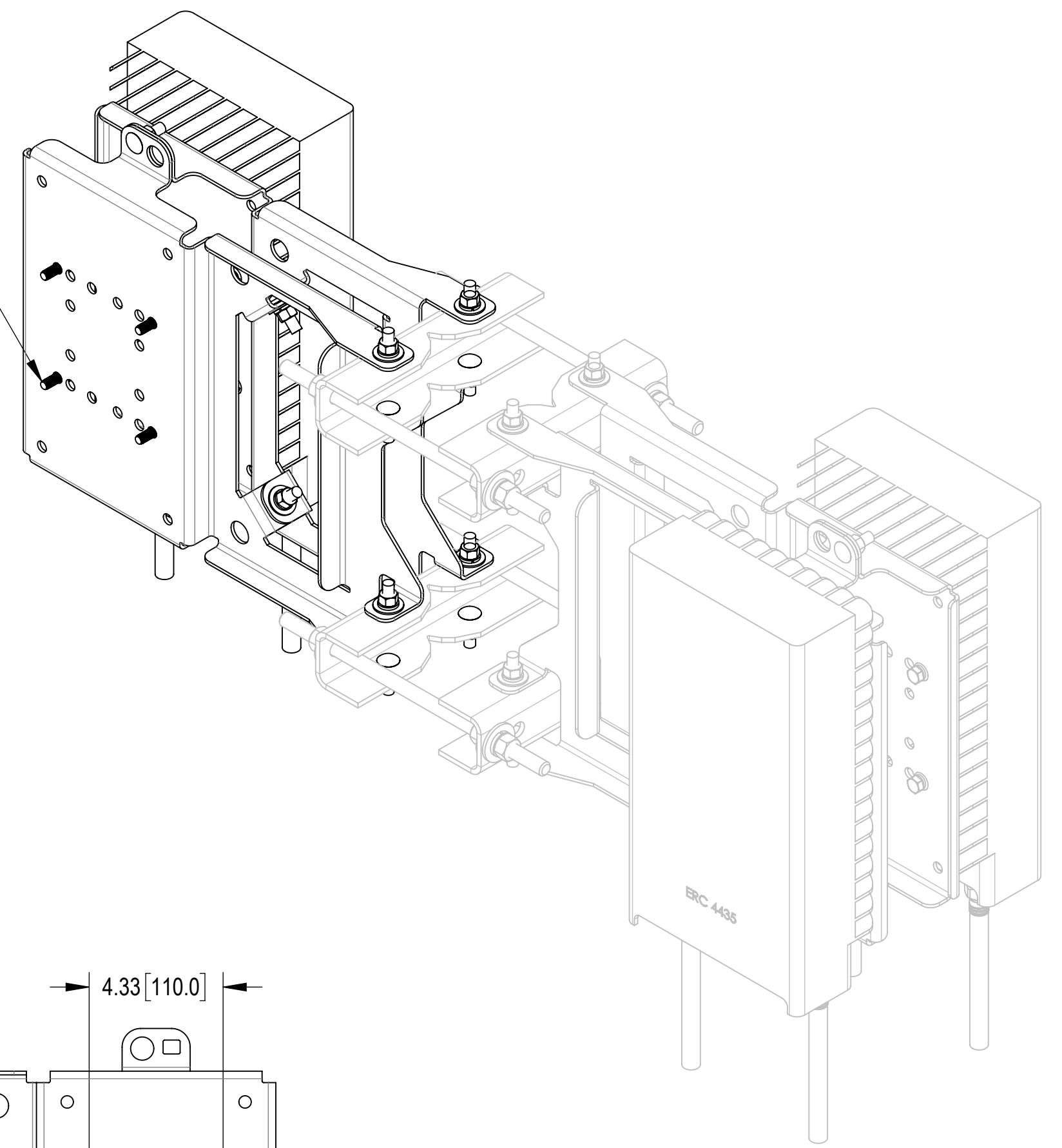
1

# BRACKET COMPATIBLE WITH 4435/4460 RADIO, 4435/1281/5322 AIR MOUNTING ON RR-FA4



(NEAR SIDE RRU HIDDEN FOR CLARITY)

2.2  
4X M8 HARDWARE  
(RRU4435/4460, AIR 4435/1281/5322)



### MOUNTING HOLES POSITION

COMMSCOPE, INC. OF NORTH CAROLINA				
TITLE RRH MOUNT, ERICSSON, 4-RADIOS, AMK, UPGRADE				
SIZE <b>C</b>	SCALE <b>1:4</b>	DOCUMENT NO. <b>RR-FA4-AMK-001</b>		
		DRAWING		SHEET 5 OF 11
		VERSION 01	STATUS RE	

4

3

2

1

4

3

2

1

# BRACKET COMPATIBLE WITH 4415/4426/4478 RADIO, 6308 POWER MOUNTING ON RR-FA4

D

D

RRU4415 SHOWN FOR REFERENCE ONLY  
(RRUs ORDERED SEPARATELY)

(NEAR SIDE RRU HIDDEN FOR CLARITY)

2.2  
4X M8 HARDWARE  
(RRU 4415/4426/4478, POWER 6308 MOUNTING)

RR-FA4 REFERENCE ONLY  
(NOT INCLUDED IN THIS KIT)

C

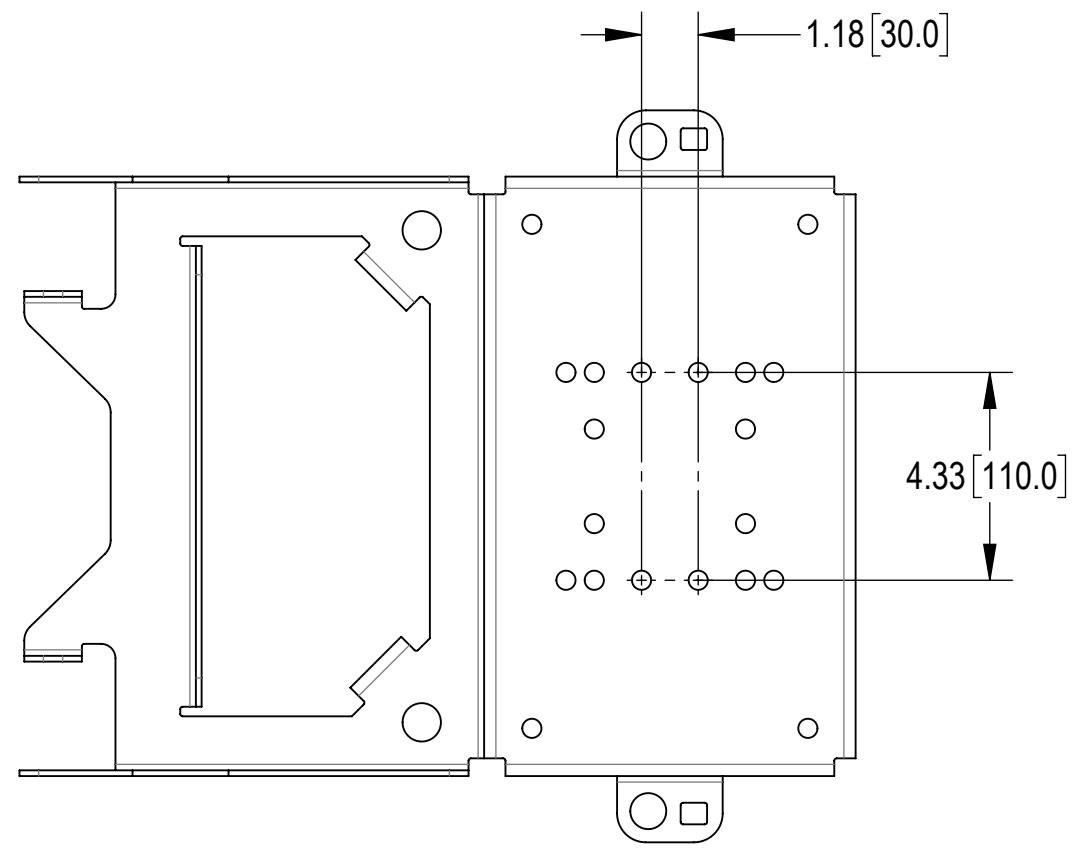
C

B

B

A

A



MOUNTING HOLES POSITION

COMMSCOPE, INC. OF NORTH CAROLINA				
TITLE RRH MOUNT, ERICSSON, 4-RADIOS, AMK, UPGRADE				
SIZE <b>C</b>	SCALE <b>1:4</b>	DOCUMENT NO. <b>RR-FA4-AMK-001</b>		
		DRAWING		SHEET
		VERSION	STATUS	REVISION
		01	RE	B
				6 OF 11

4

3

2

1

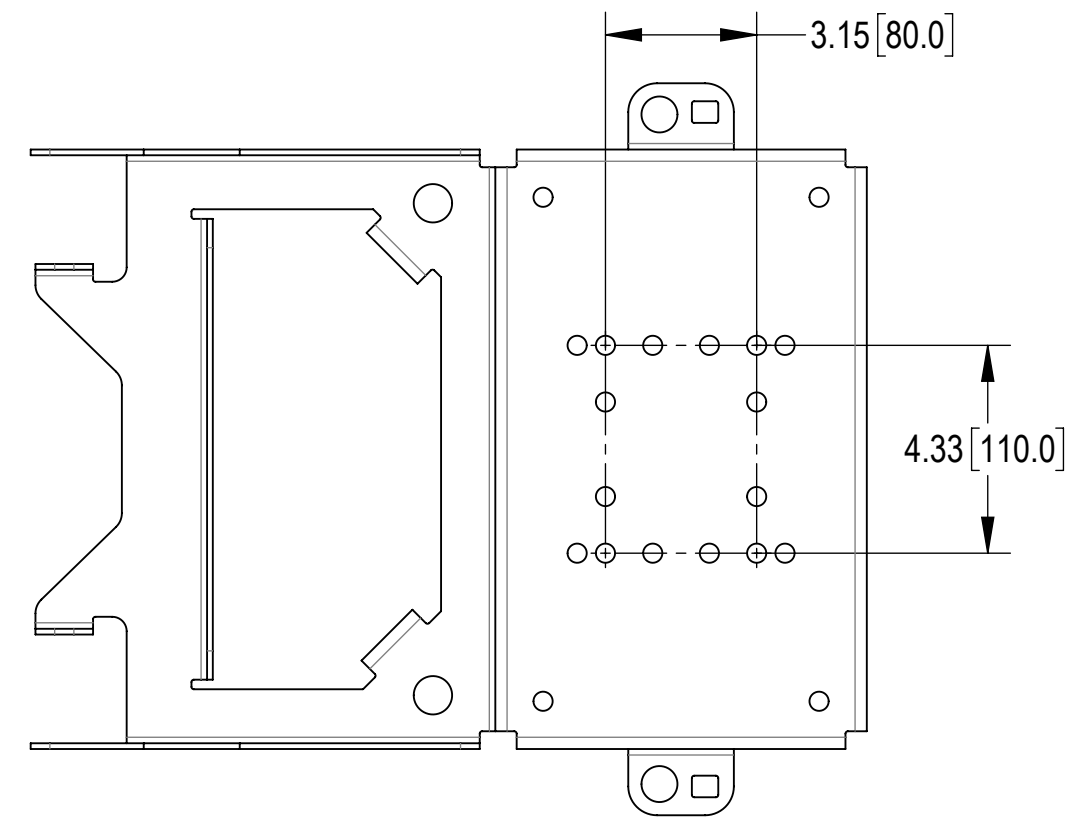
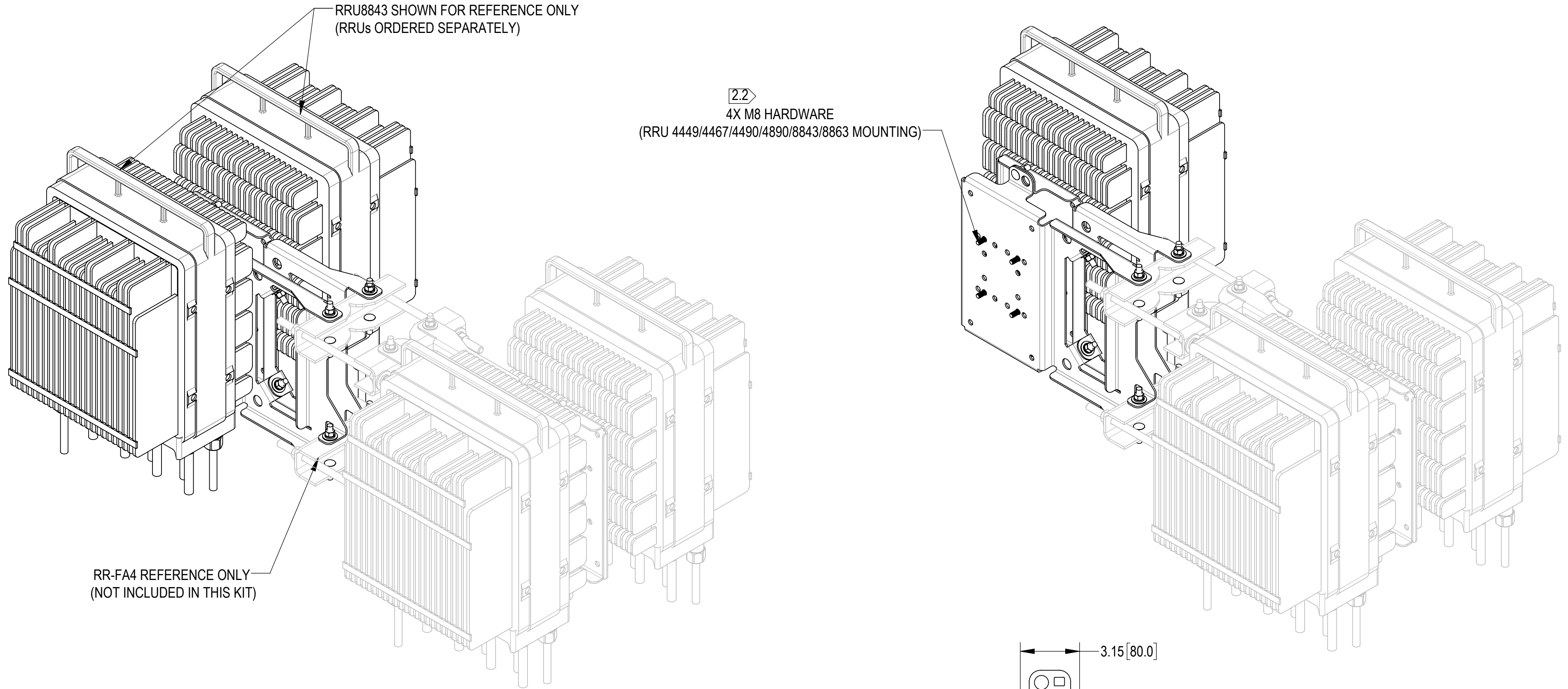
BRACKET COMPATIBLE WITH 4449/4467/4490/4890/8843/8863 RADIO MOUNTING ON RR-FA4

(NEAR SIDE RRU HIDDEN FOR CLARITY)

RRU8843 SHOWN FOR REFERENCE ONLY  
(RRUs ORDERED SEPARATELY)

2.2  
4X M8 HARDWARE  
(RRU 4449/4467/4490/4890/8843/8863 MOUNTING)

RR-FA4 REFERENCE ONLY  
(NOT INCLUDED IN THIS KIT)



MOUNTING HOLES POSITION

COMMSCOPE, INC. OF NORTH CAROLINA				
TITLE RRH MOUNT, ERICSSON, 4-RADIOS, AMK, UPGRADE				
SIZE <b>C</b>	SCALE <b>1:8</b>	DOCUMENT NO. <b>RR-FA4-AMK-001</b>		
		DRAWING		SHEET
		VERSION	STATUS	REVISION
		01	RE	B
				7 OF 11

4

3

2

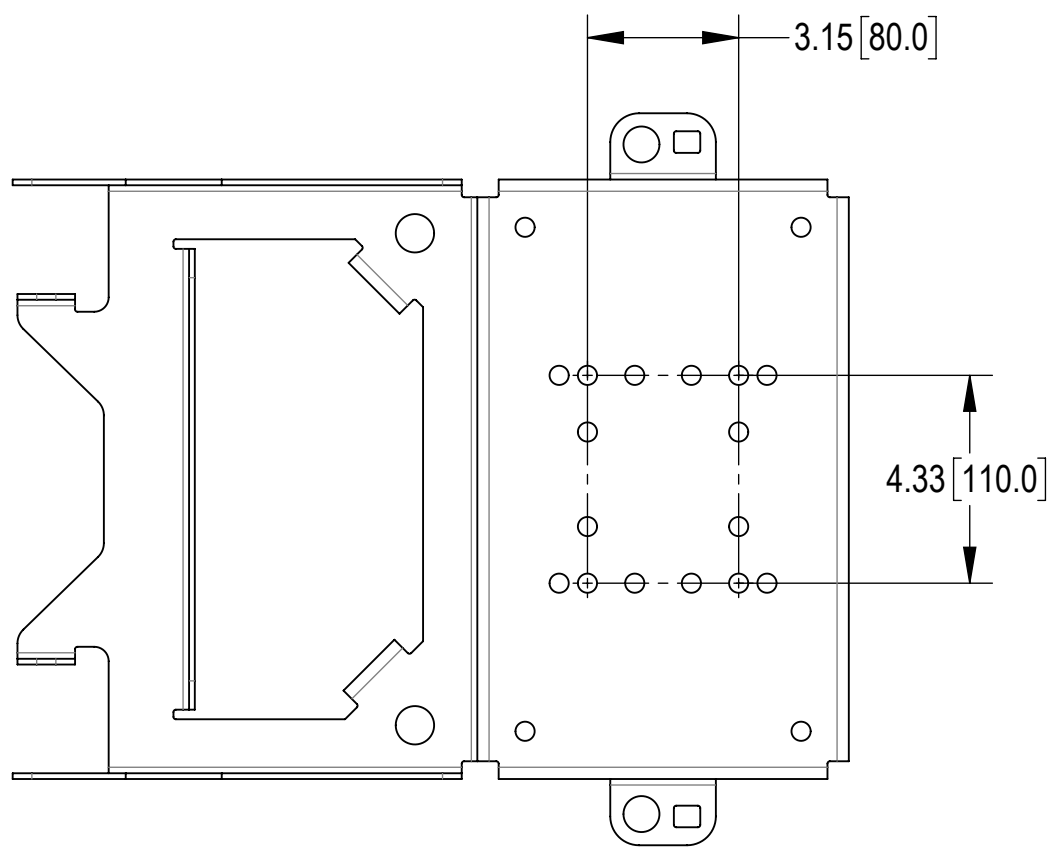
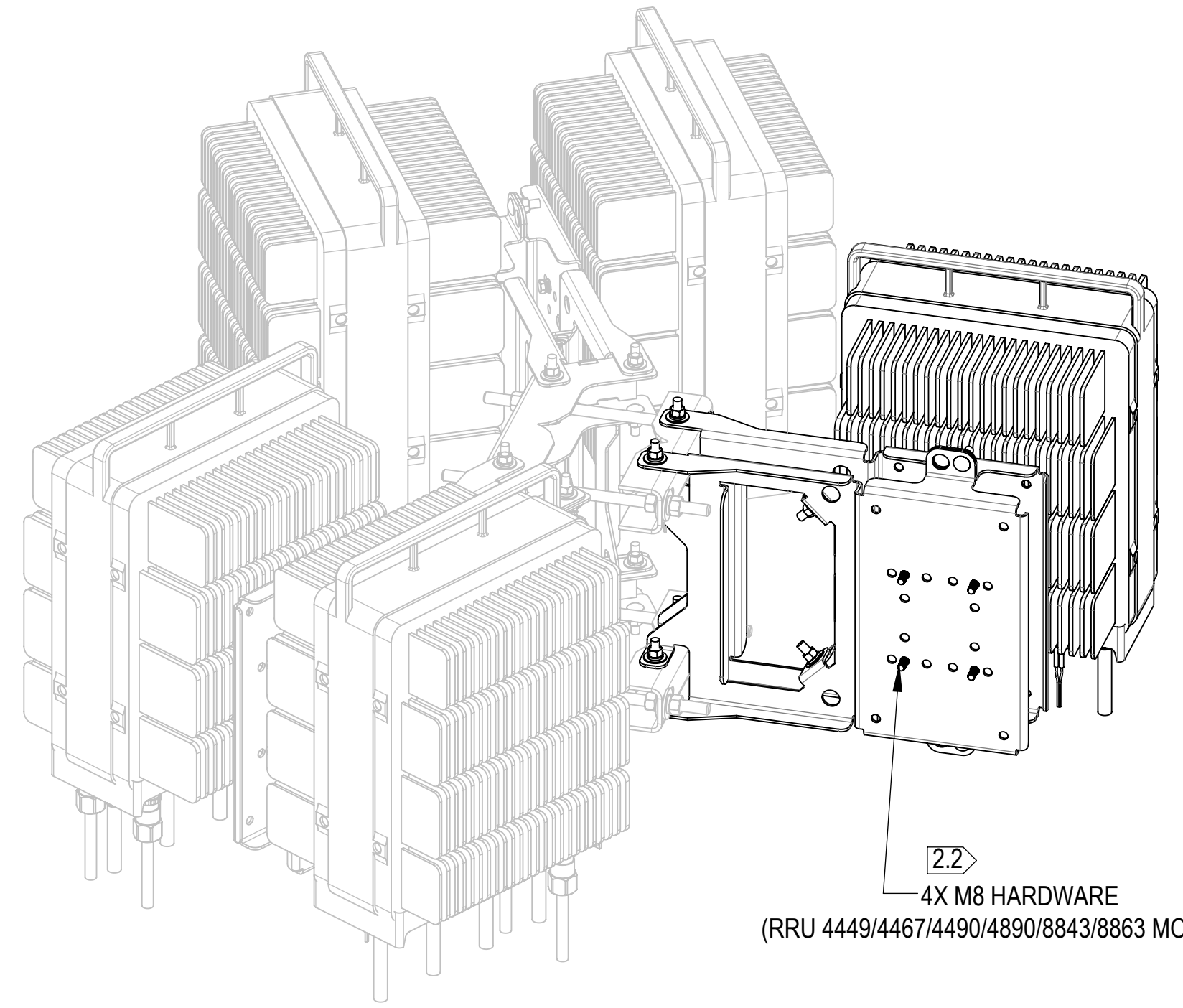
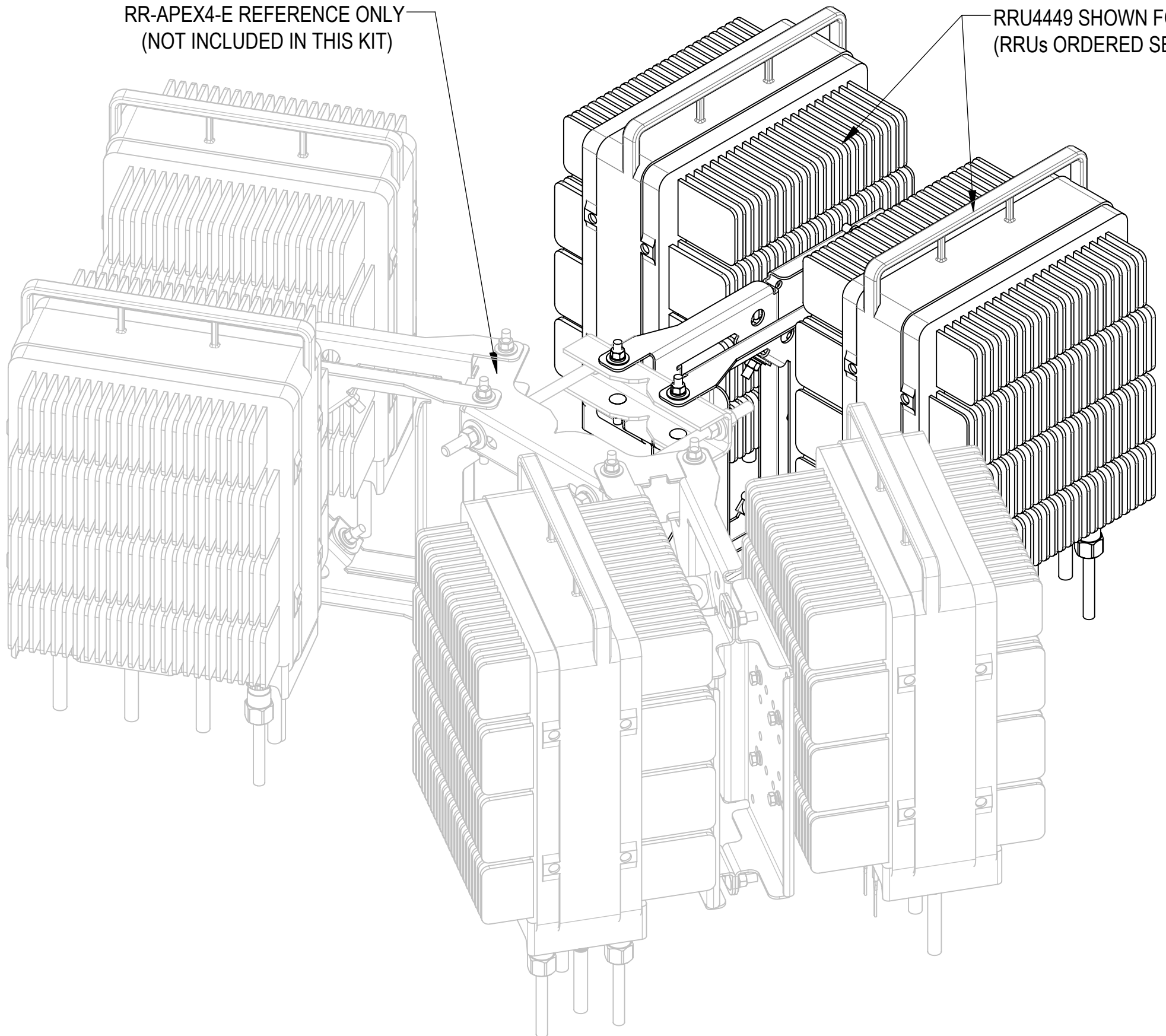
1

# BRACKET COMPATIBLE WITH 4449/4467/4490/4890/8843/8863 RADIO MOUNTING ON RR-APEX4-E

RR-APEX4-E REFERENCE ONLY  
(NOT INCLUDED IN THIS KIT)

RRU4449 SHOWN FOR REFERENCE ONLY  
(RRUs ORDERED SEPARATELY)

(NEAR SIDE RRU HIDDEN FOR CLARITY)



MOUNTING HOLES POSITION

COMMSCOPE, INC. OF NORTH CAROLINA				
TITLE RRH MOUNT, ERICSSON, 4-RADIOS, AMK, UPGRADE				
SIZE <b>C</b>	SCALE <b>1:8</b>	DOCUMENT NO. <b>RR-FA4-AMK-001</b>		
		DRAWING		SHEET
		VERSION	STATUS	REVISION
		01	RE	B
				8 OF 11

4

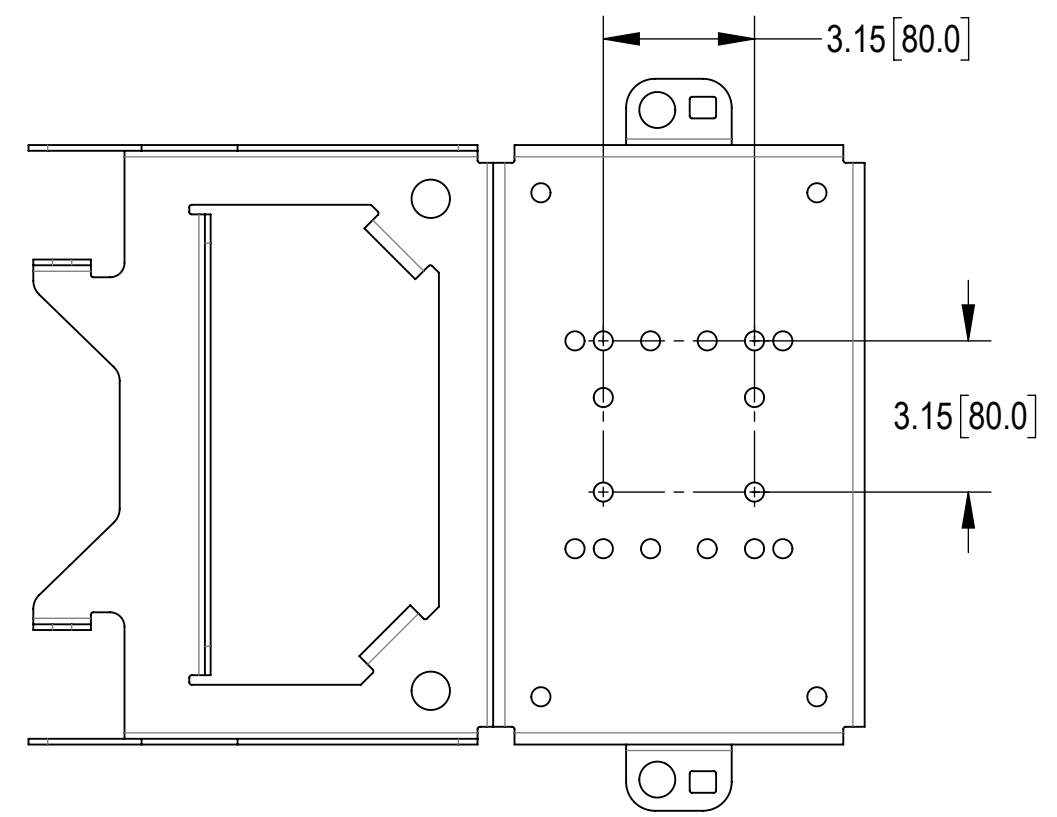
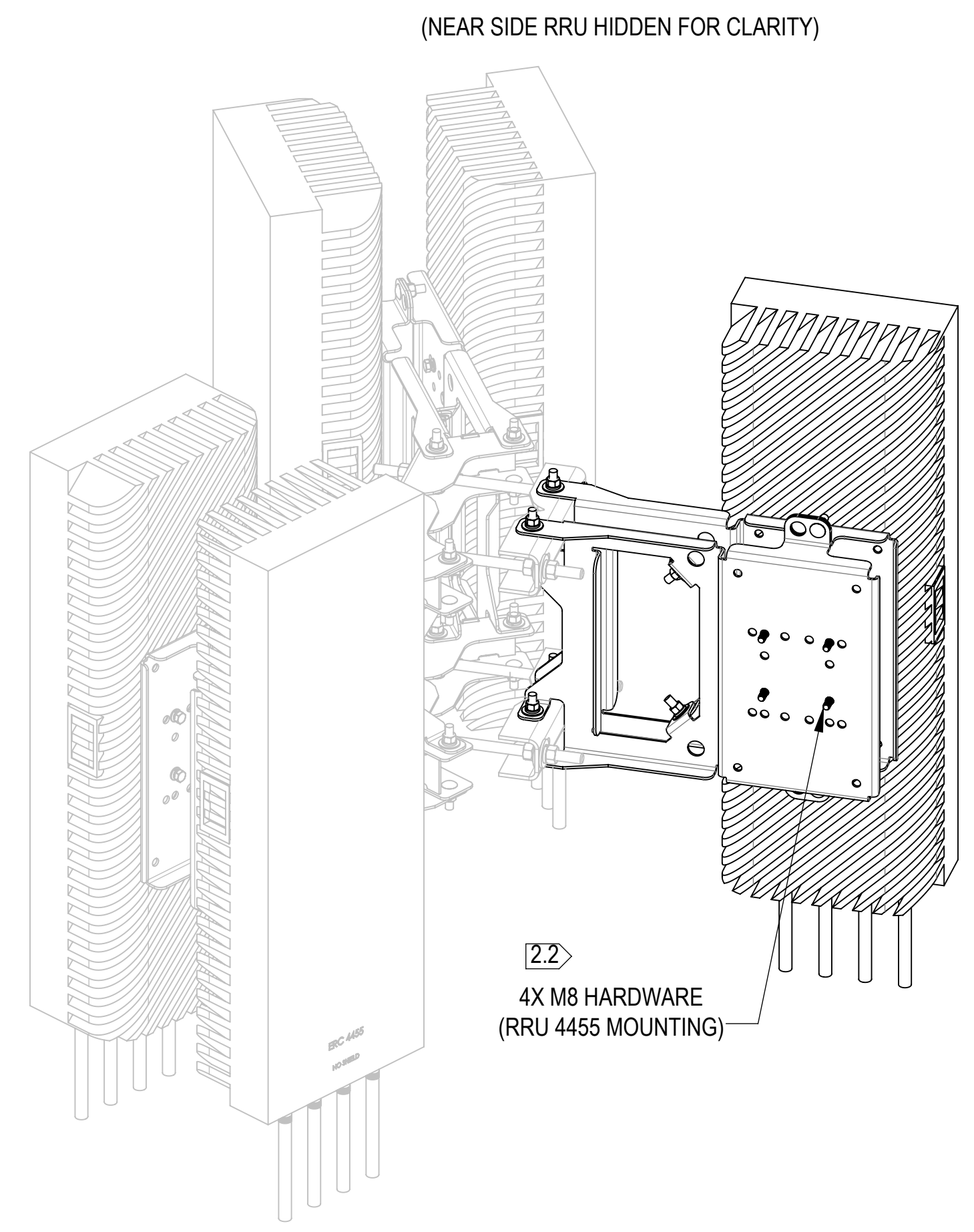
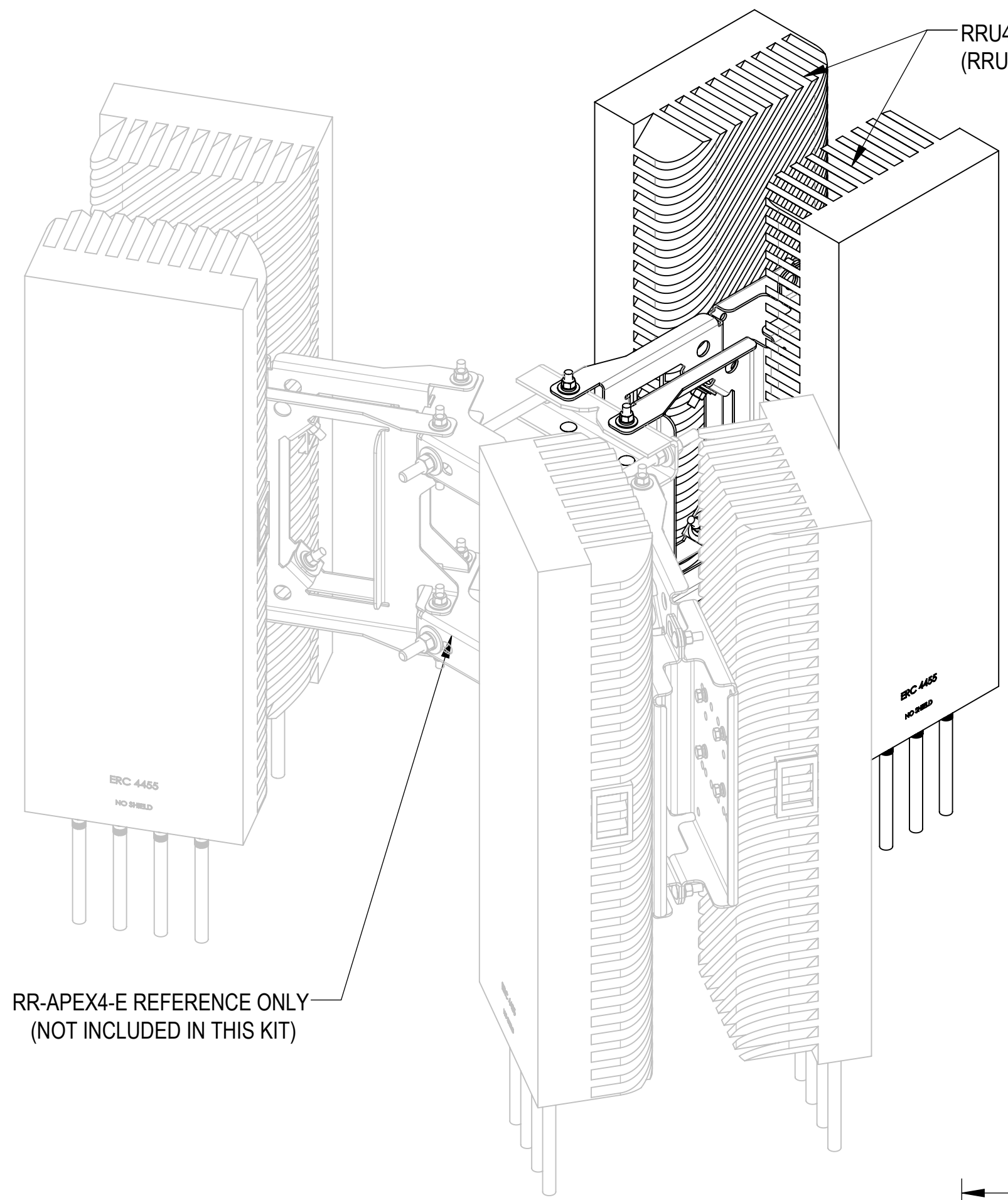
3

2

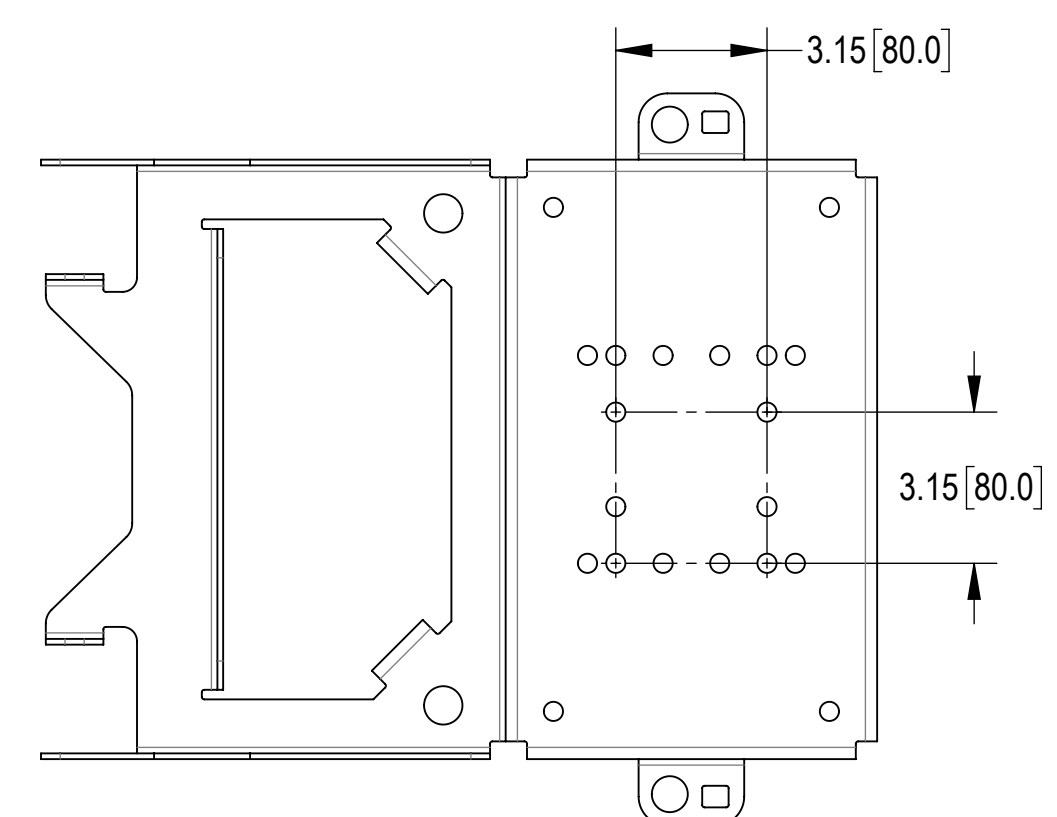
1



# BRACKET COMPATIBLE WITH 4455 RADIO/AIR MOUNTING ON RR-APEX4-E


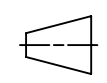


OPTION 1



OPTION 2

## MOUNTING HOLES POSITION

COMMSCOPE, INC. OF NORTH CAROLINA				
TITLE RRH MOUNT, ERICSSON, 4-RADIOS, AMK, UPGRADE				
SIZE <b>C</b>	SCALE <b>1:8</b>	DOCUMENT NO. <b>RR-FA4-AMK-001</b>		
DRAWING		VERSION	STATUS	REVISION
 		01	RE	B
				SHEET 9 OF 11

4

3

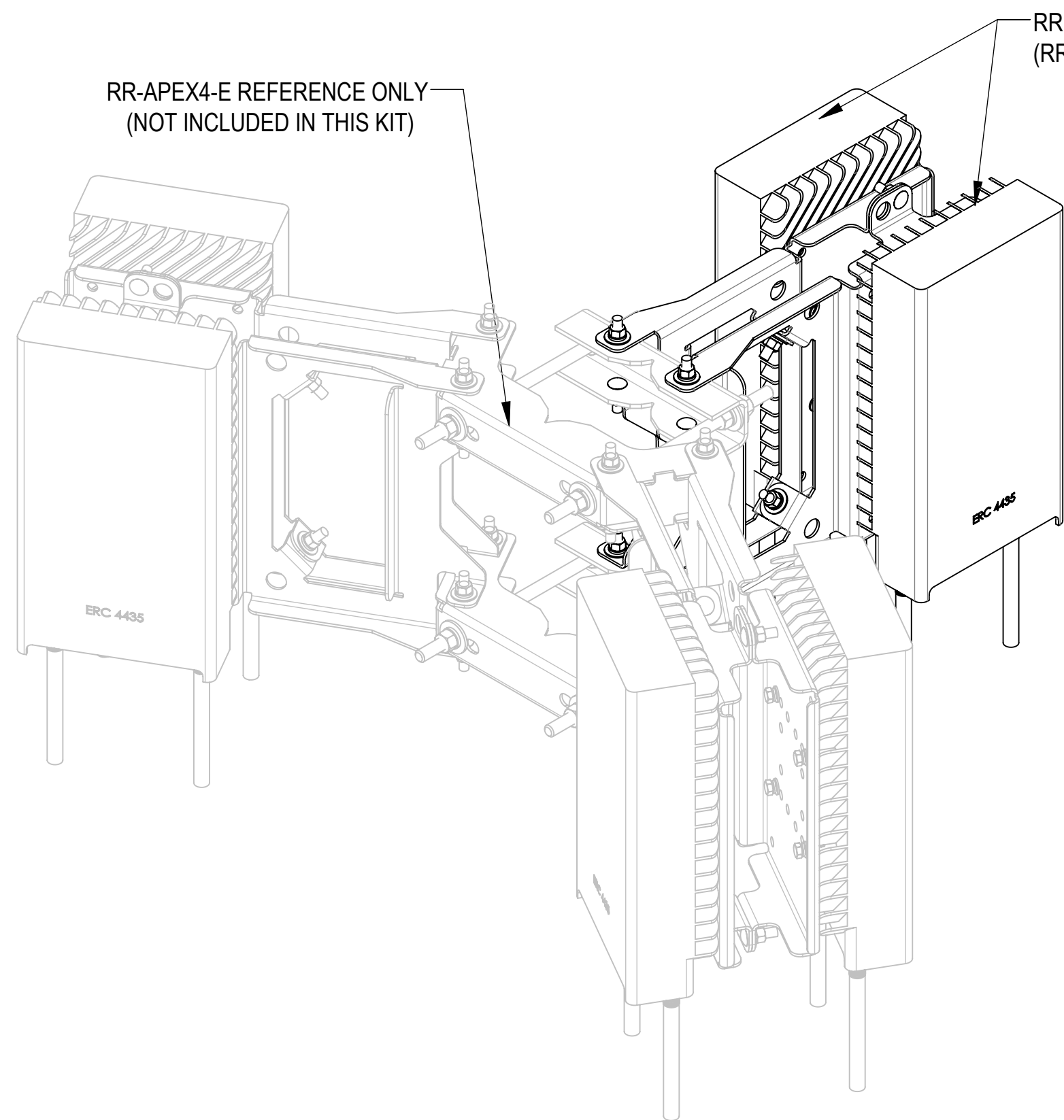
2

1

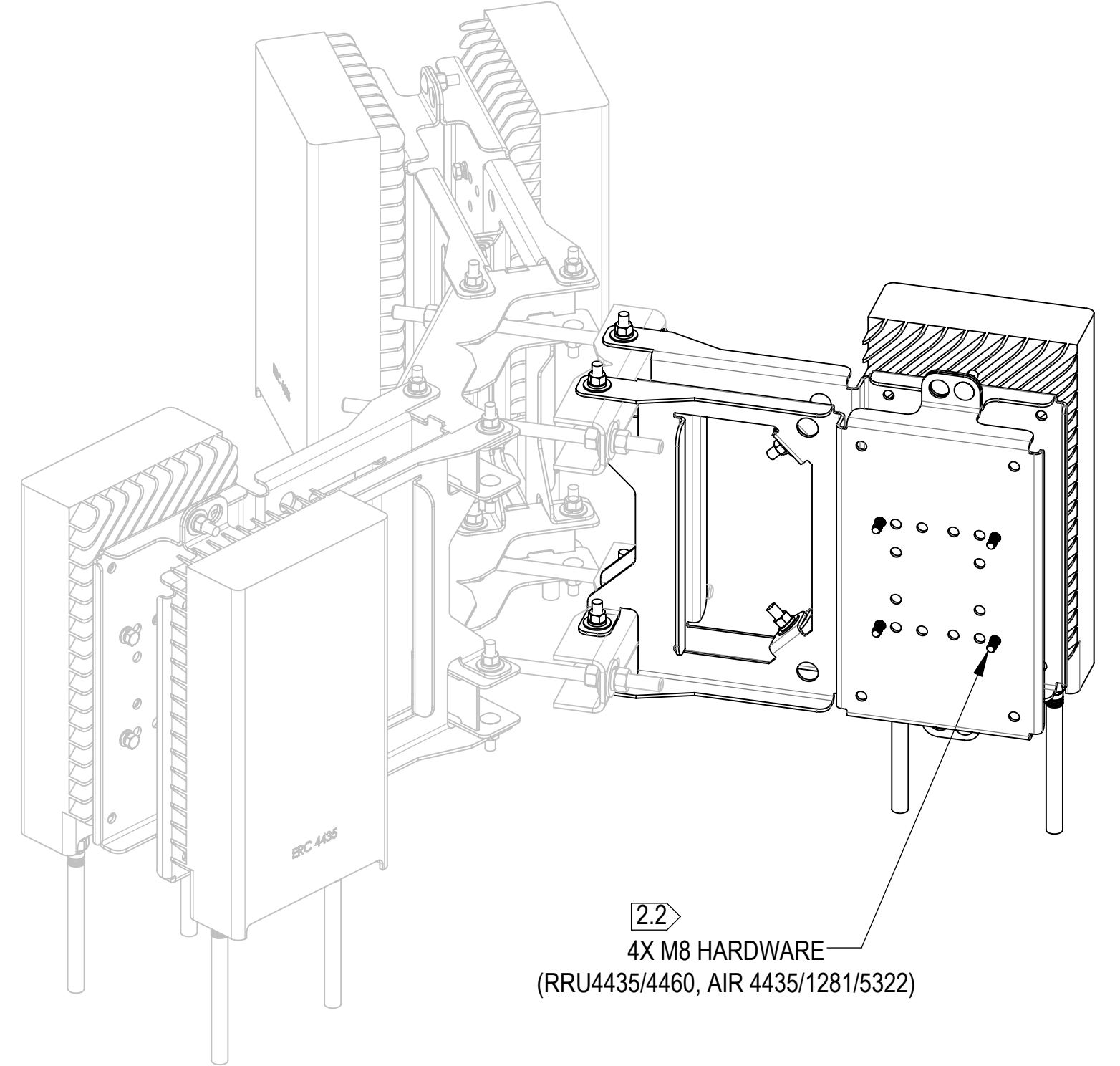
# BRACKET COMPATIBLE WITH 4435/4460 RADIO, 4435/1281/5322 AIR MOUNTING ON RR-APEX4-E

D

D



(NEAR SIDE RRU HIDDEN FOR CLARITY)

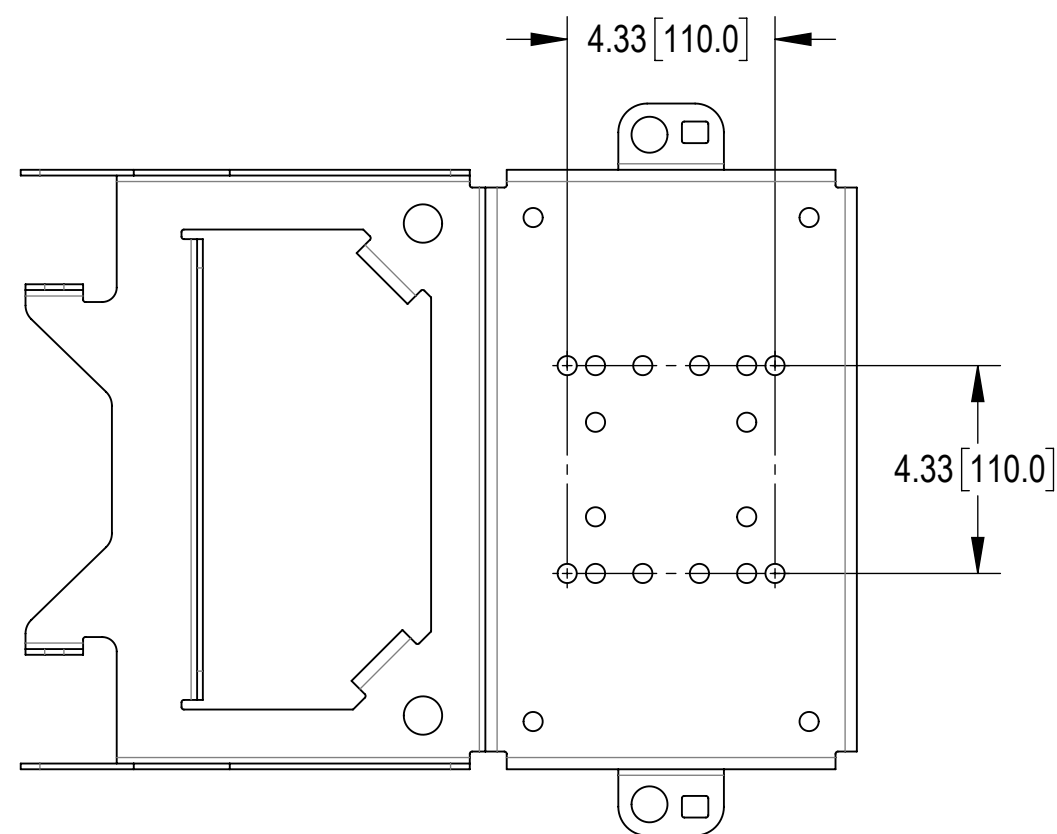


C

C

B

B



### MOUNTING HOLES POSITION

COMMSCOPE, INC. OF NORTH CAROLINA				
TITLE RRH MOUNT, ERICSSON, 4-RADIOS, AMK, UPGRADE				
SIZE <b>C</b>	SCALE <b>1:8</b>	DOCUMENT NO. <b>RR-FA4-AMK-001</b>		
		DRAWING		SHEET
		VERSION 01	STATUS RE	REVISION B
				10 OF 11

4

3

2

1

A

A

BRACKET COMPATIBLE WITH 4415/4426/4478 RADIO, 6308 POWER MOUNTING ON RR-APEX4-E

4

3

2

1

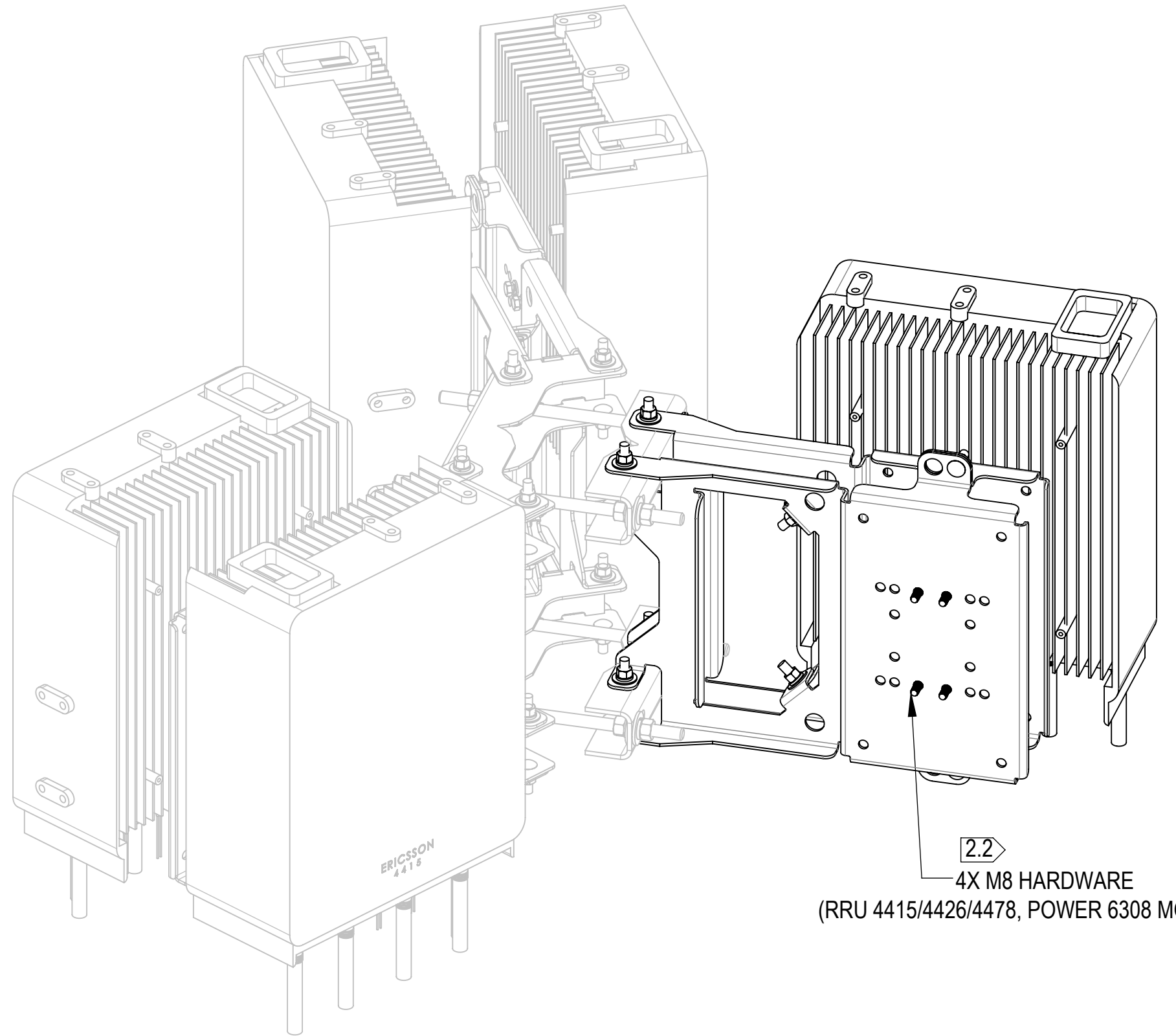
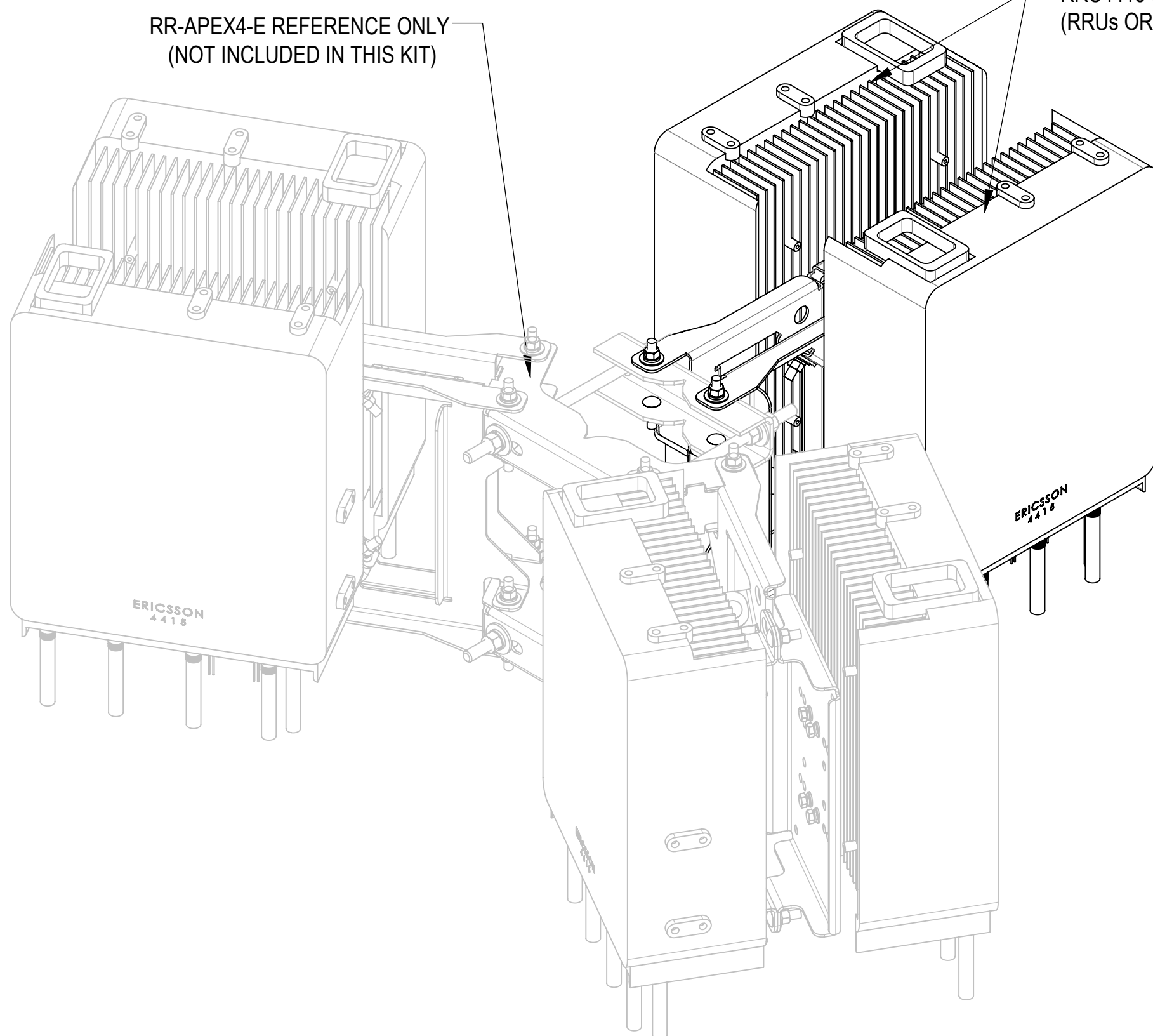
D

D

RR-APEX4-E REFERENCE ONLY  
(NOT INCLUDED IN THIS KIT)

RRU4415 SHOWN FOR REFERENCE ONLY  
(RRUs ORDERED SEPARATELY)

(NEAR SIDE RRU HIDDEN FOR CLARITY)



C

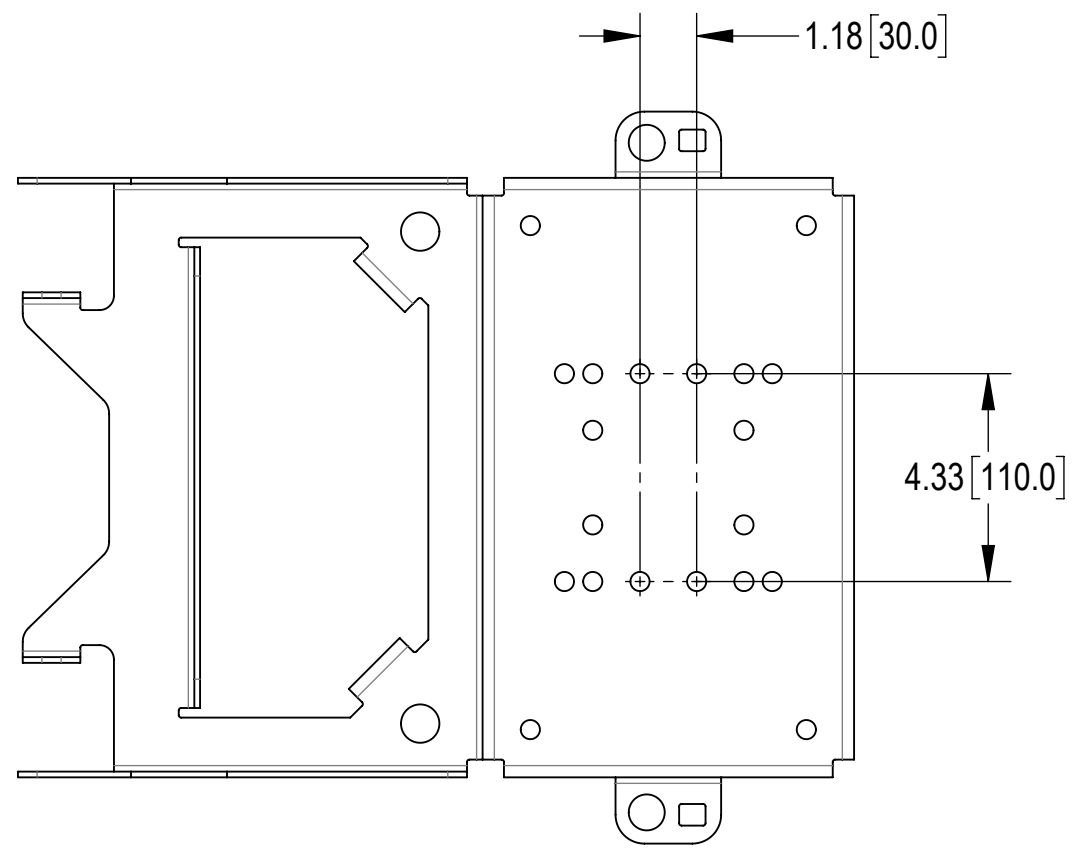
C

B

B

A

A



MOUNTING HOLES POSITION

COMMSCOPE, INC. OF NORTH CAROLINA				
TITLE RRH MOUNT, ERICSSON, 4-RADIOS, AMK, UPGRADE				
SIZE <b>C</b>	SCALE <b>1:8</b>	DOCUMENT NO. <b>RR-FA4-AMK-001</b>		
		DRAWING		SHEET
		VERSION	STATUS	REVISION
		01	RE	B
				11 OF 11

4

3

2

1