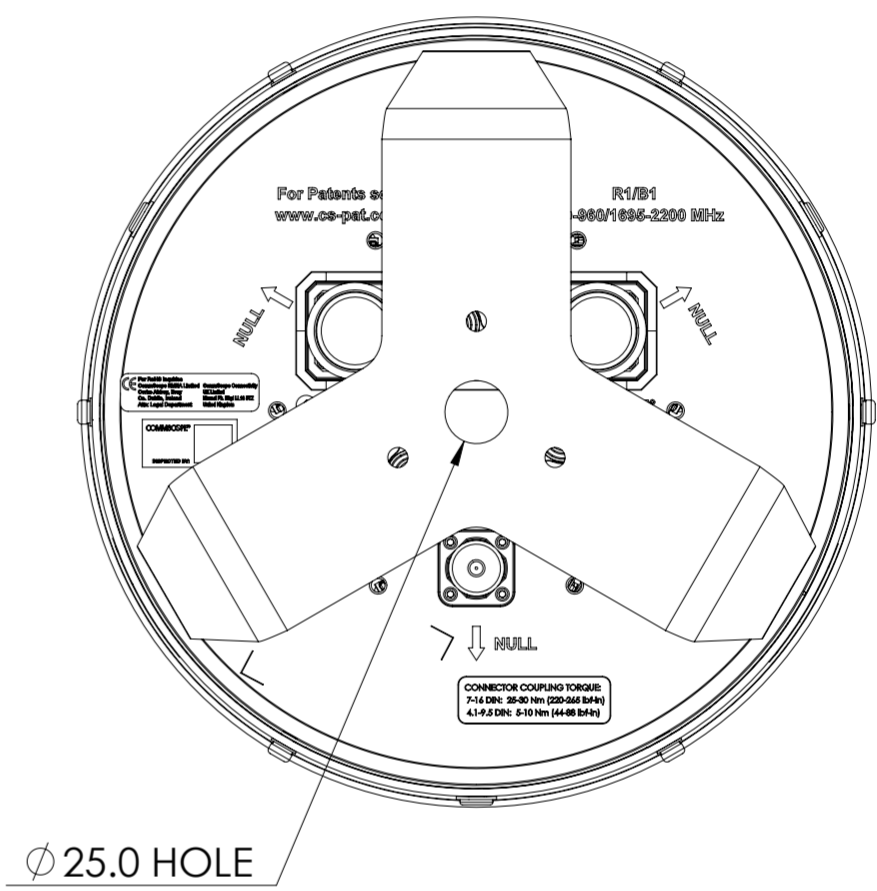
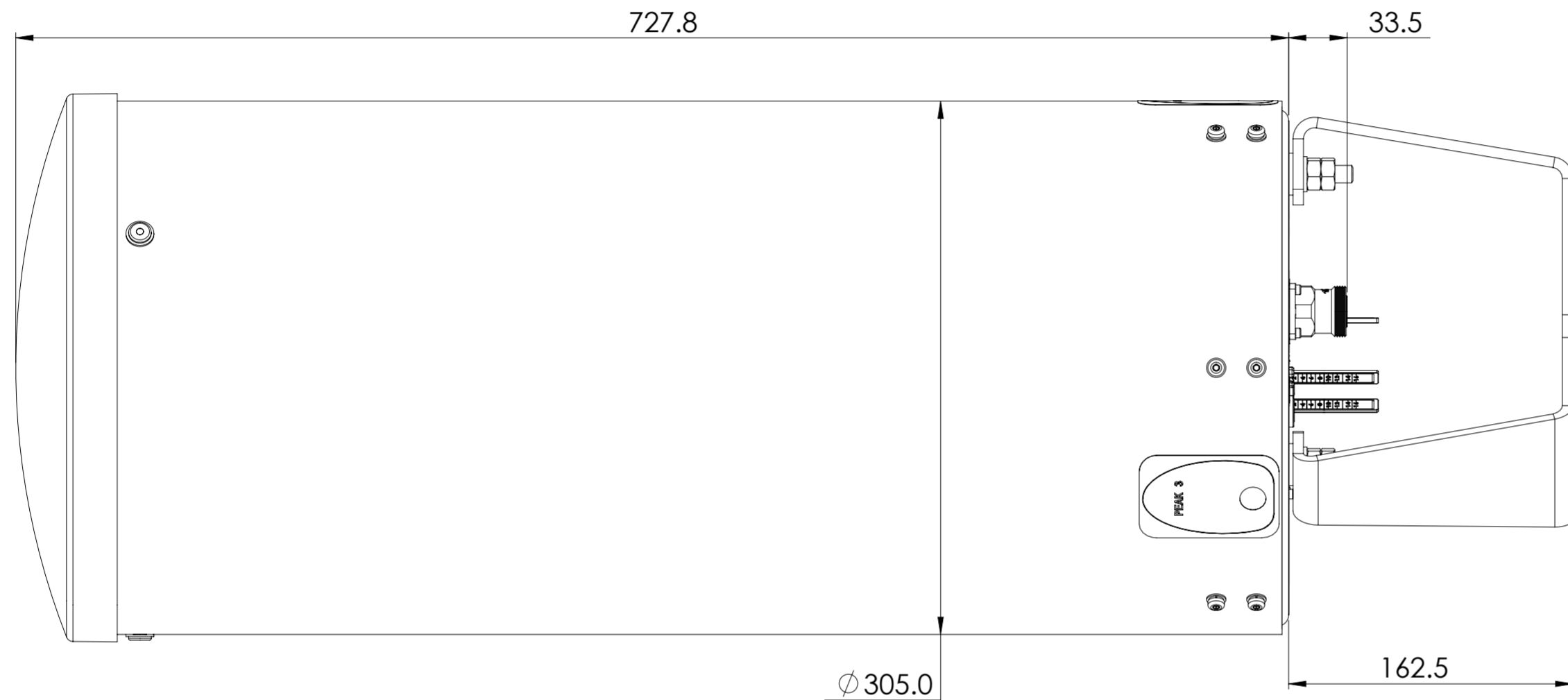


NOTES:

REVISION
B



CH360QS-DG-F2M