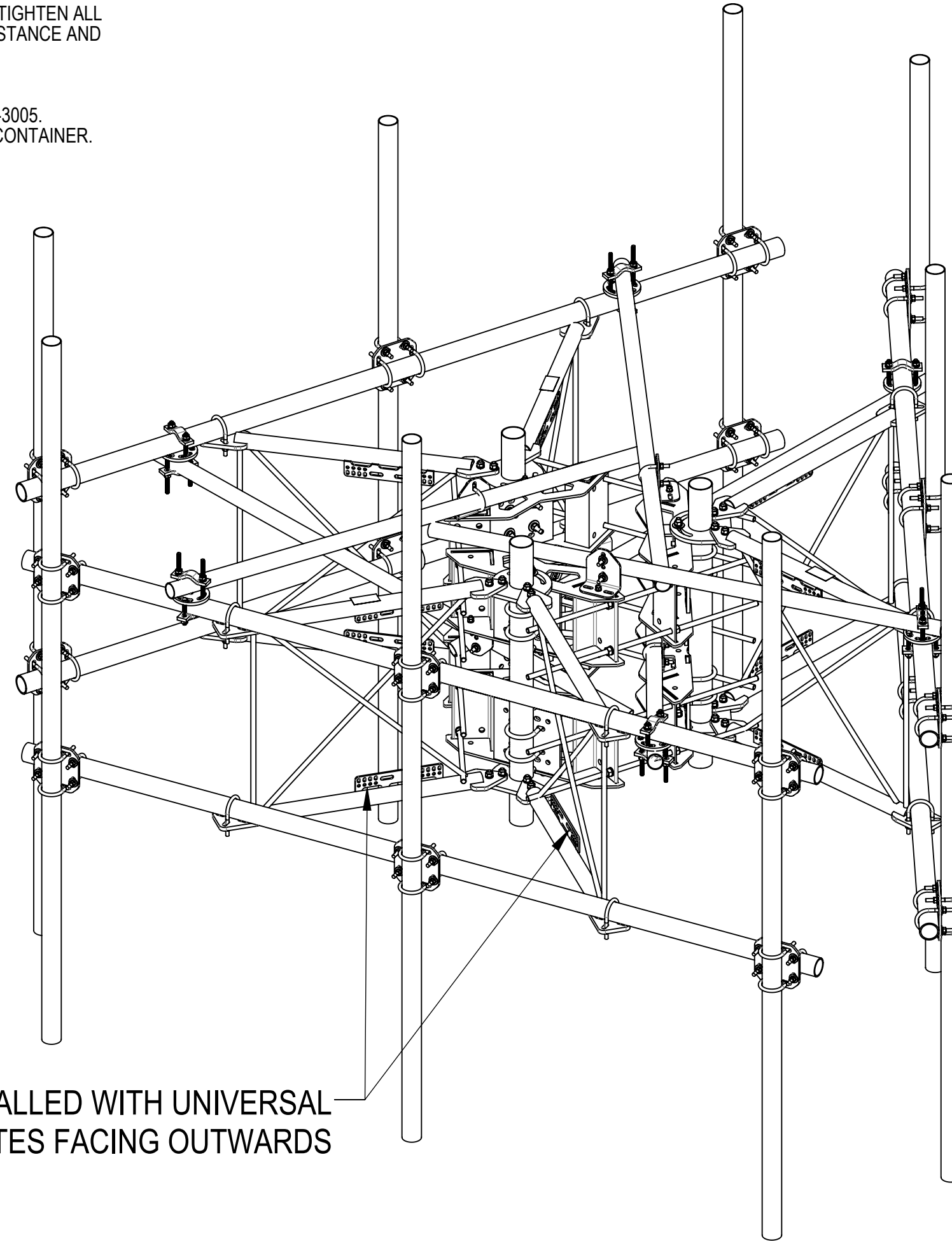

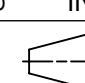


- 1.0 GENERAL NOTES
 - 1.1 ALL METRIC DIMENSIONS ARE IN BRACKETS [X. X]
 - 1.2 FOR PATENT INFO: <https://www.cs-pat.com>
- 2.0 DESIGN NOTES
 - 2.1 ANY HAZARDS OR OBSTRUCTIONS TO THE CLIMBING FACILITY AND SAFETY CLIMB MUST BE IDENTIFIED PRIOR TO INSTALLING THE APPURTENANCE. ADDITIONAL PRODUCTS MAY BE REQUIRED TO MAINTAIN THE INTEGRITY OF THE SAFETY CLIMB. DURING INSTALLATION, TEMPORARY AND/OR PERMANENT PRECAUTIONARY MEASURES SHOULD BE TAKEN TO PRESERVE THE CLIMBING FACILITY AND/OR SAFETY CLIMB.
 - 2.2 FITS MONOPOLES 20" TO 50" OD. MONOPOLE DIAMETER MUST BE GREATER THAN OR EQUAL TO 20" TO MEET ANTENNA TO ANTENNA CORNER SPACING OF >24".
- 3.0 MANUFACTURING/SPECIAL REQUIREMENTS
 - 3.1 TIGHTEN ALL BOLTS SECURING FLAT PLATES BY THE TURN-OF-NUT METHOD. TIGHTEN ALL U-BOLTS USING TURN-OF-NUT METHOD WITH ATTENTION TO LEAVE EQUAL DISTANCE AND EQUAL FORCE ON EACH LEG OF THE U-BOLT.
- 4.0 TEST
- 5.0 PACKAGING
 - 5.1 PACKAGING SHALL MEET COMMSCOPE REQUIREMENTS PER DOCUMENT IS-PL-3005.
 - 5.2 PRINTED DOCUMENT TO BE PLACED INSIDE POLYBAG AND THEN IN SHIPPING CONTAINER.
 - 5.3 EXTRA HARDWARE MAY BE SUPPLIED, BAGGED AND SHIPPED.

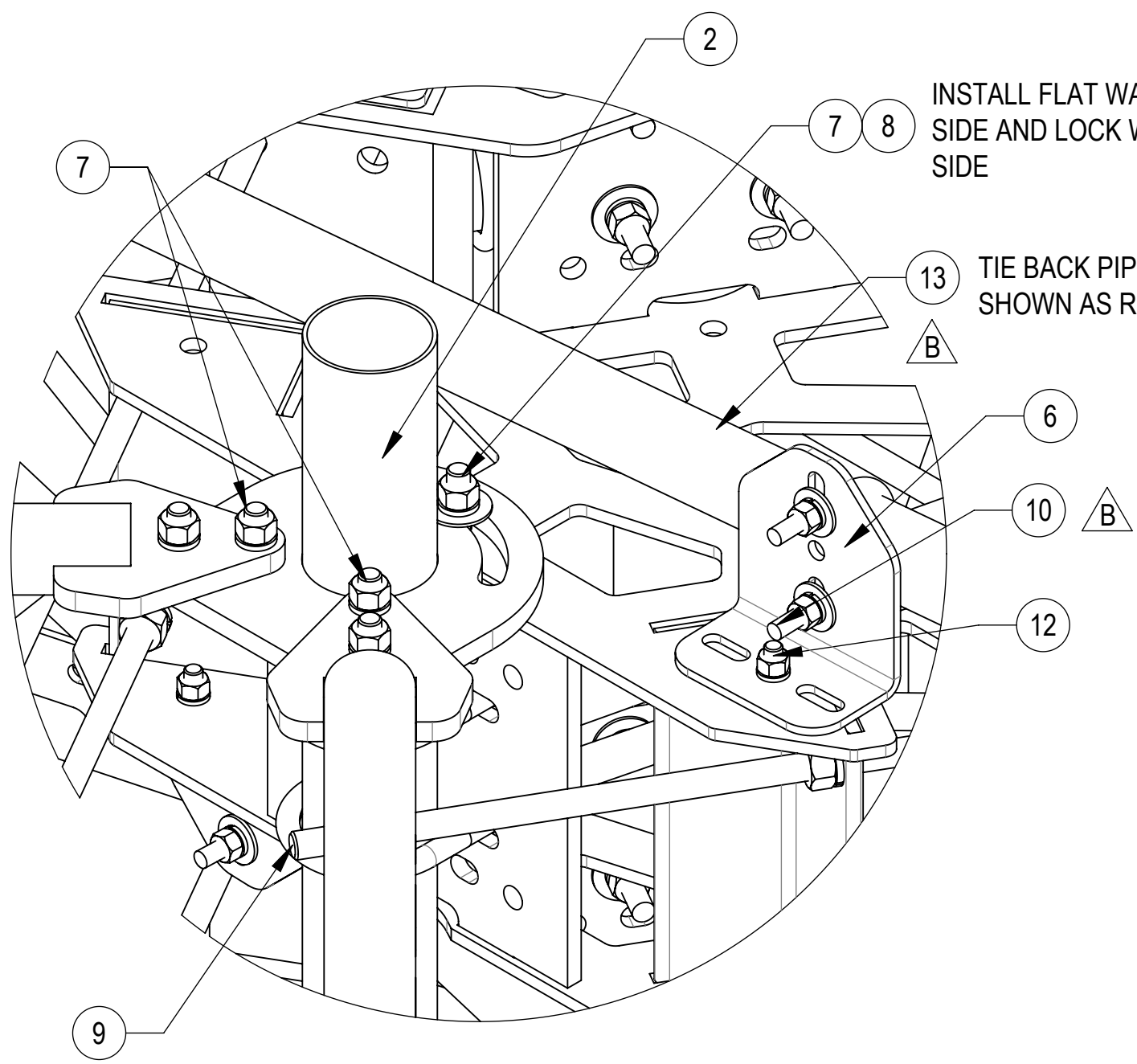
REVISIONS			
REV.	DESCRIPTION	DATE	APPROVED
A	INITIAL RELEASE	JL1183 07MAY24	CB1094 40194988CMO
B	SFG2292-00 WAS SFG2278; MT-651-84 WAS MT546084120; QTY GUB-4352 WAS 18 EA; ADDED GUB-4240; ADDED SHEET 4	RY1002 26NOV24	YZ1080 40209667CMO



SHOULD BE INSTALLED WITH UNIVERSAL INTERFACE PLATES FACING OUTWARDS

COMMSCOPE, INC. OF NORTH CAROLINA													
TOLERANCES						SAP MATERIAL MASTER							
0 PLACE X[X] ± 0.25[6.3]			2 PLACE .XX[X] ± 0.06[1.5]			MCG22HDX-11-9-120							
1 PLACE .X[X] ± 0.12[3.0]			ANGLES ± 2°										
FINISH						MATERIAL							
UNLESS OTHERWISE SPECIFIED DIMENSIONS ARE IN INCHES INTERPRET PER ANSI Y 14.5M-1994						NAME		DATE		PG,MP,SF,11'FP,(09)120"AP			
						CE JL1183		07MAY24					
						RW RY1002		12/02/2024					
						AD YZ1080		12/04/2024					
						RE YMENG		12/17/2024					
ECN 40209667CMO						SCALE		DOCUMENT NO.					
						1:20		MCG22HDX-11-9-120					
SIZE		Auth Group		INSL		MODEL			DRAWING			SHEET 1 OF 5	
C		 		VERSION			STATUS			REVISION			
				01			RE			B			

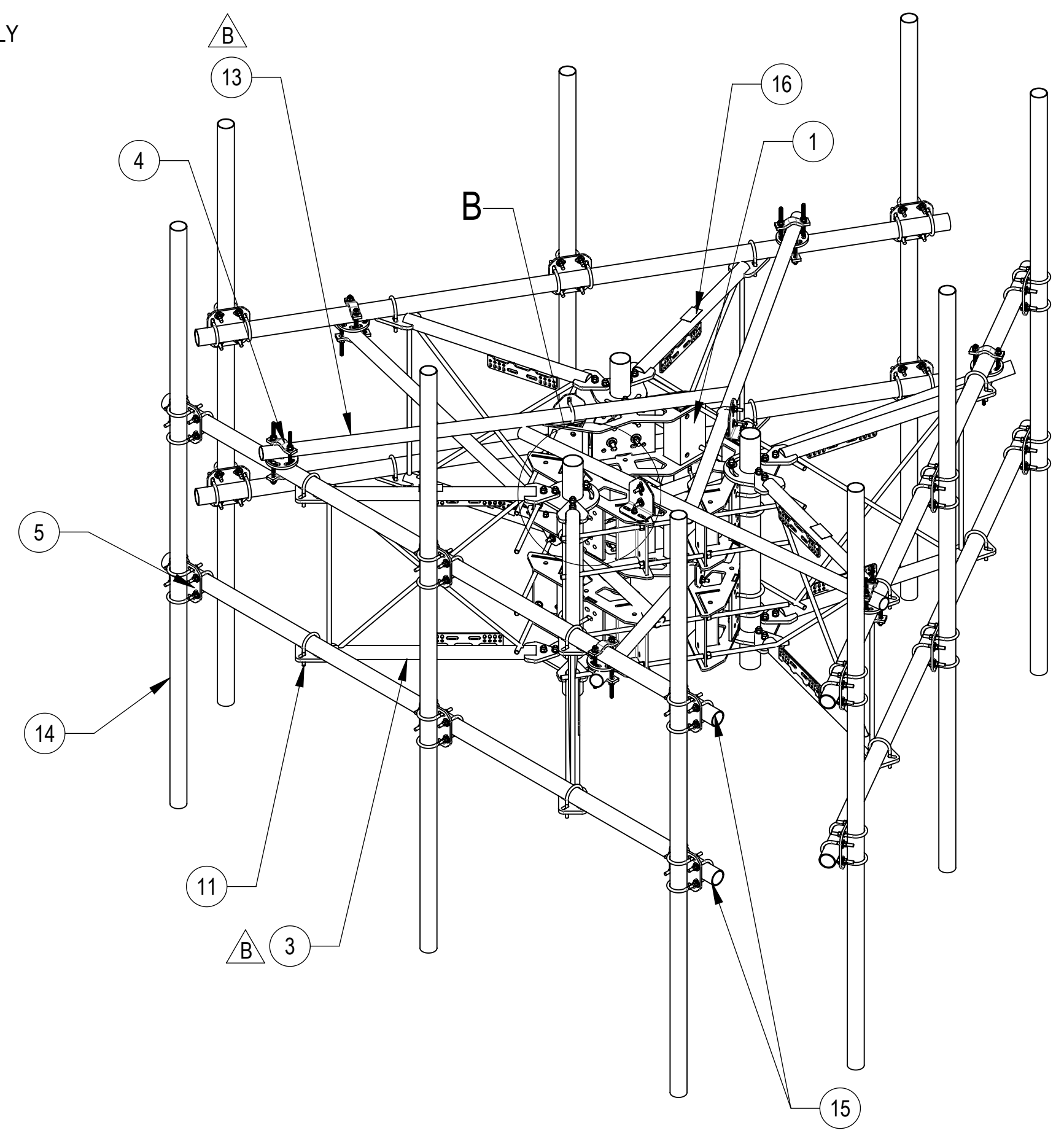
DENSITY		lbs/in ³
MASS	1939.52	lbs
VOLUME	7782.38	in ³
SURFACE AREA	74456.37	in ²
HEIGHT	120"	
LENGTH	154"	
WIDTH	134"	



INSTALL FLAT WASHER ON NEAR SIDE AND LOCK WASHER ON FAR SIDE

TIE BACK PIPE POSITION IS ONLY SHOWN AS REFERENCE

DETAIL B
SCALE 1 : 4



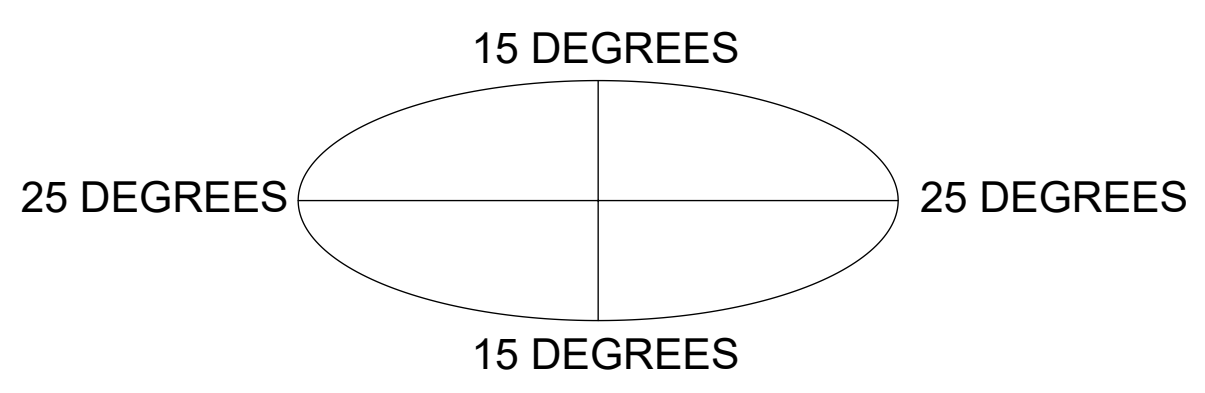
TOP

BOTTOM

COMPONENT PART NUMBERS PROVIDED FOR ASSEMBLY PURPOSES;
INDIVIDUAL COMPONENTS MAY BE SHIPPED AS PARTS WITHIN AN INCLUDED KIT.

ITEM	PART NO.	DESCRIPTION	QTY.	WEIGHT	NOTE NO.
1	MC-RM1550-3	15" - 50" OD RINGMOUNT	2	229.90 LBS	
2	SFG2270	BACK VERTICAL ARM MOUNT	3	36.96 LBS	
3	SFG2292-00	WELDMENT, V-ARM, SECTOR FRAME 22	6	49.69 LBS	
4	XP-R	CROSSOVER PLATE, ROUND, UP TO 3.5" OD	6	6.20 LBS	
5	XP-2525	CROSSOVER PLATE KIT, 2-7/8 OD X 2-7/8 OD	18	8.37 LBS	
6	XAU01	ANGLE, CROSSOVER, 1.9-3.5" X 1.9-3.5" OD	6	2.98 LBS	
7	GB-05225	5/8" X 2-1/4" GALV BOLT KIT	30	0.28 LBS	
8	GWF-05	5/8" GALV FLAT WASHER, 1.7OD	6	0.06 LBS	
9	GUB-53560	5/8" X 3-5/8" X 6" GALV U-BOLT	12	1.30 LBS	
10	GUB-4240	1/2" X 2-1/2" X 4" GALV U-BOLT	6	0.56 LBS	
11	GUB-4352	1/2" X 3" X 5-1/4" GALV U-BOLT	12	0.71 LBS	
12	GB-04145	1/2" X 1-1/2" GALV BOLT KIT	6	0.13 LBS	
13	MT-651-84	2.375" OD X 84" PIPE	6	20.35 LBS	
14	MT546120120	PIPE, 2.875"OD X 120"	9	35.44 LBS	
15	MT546132	2.875" O.D. X 132" PIPE	6	62.64 LBS	
16	SFG2255	LABEL, SFG22HDX	3	0.04 LBS	

ALLOWABLE TIEBACK ANGLE
+15 DEGREES VERTICAL
±25 DEGREES HORIZONTAL



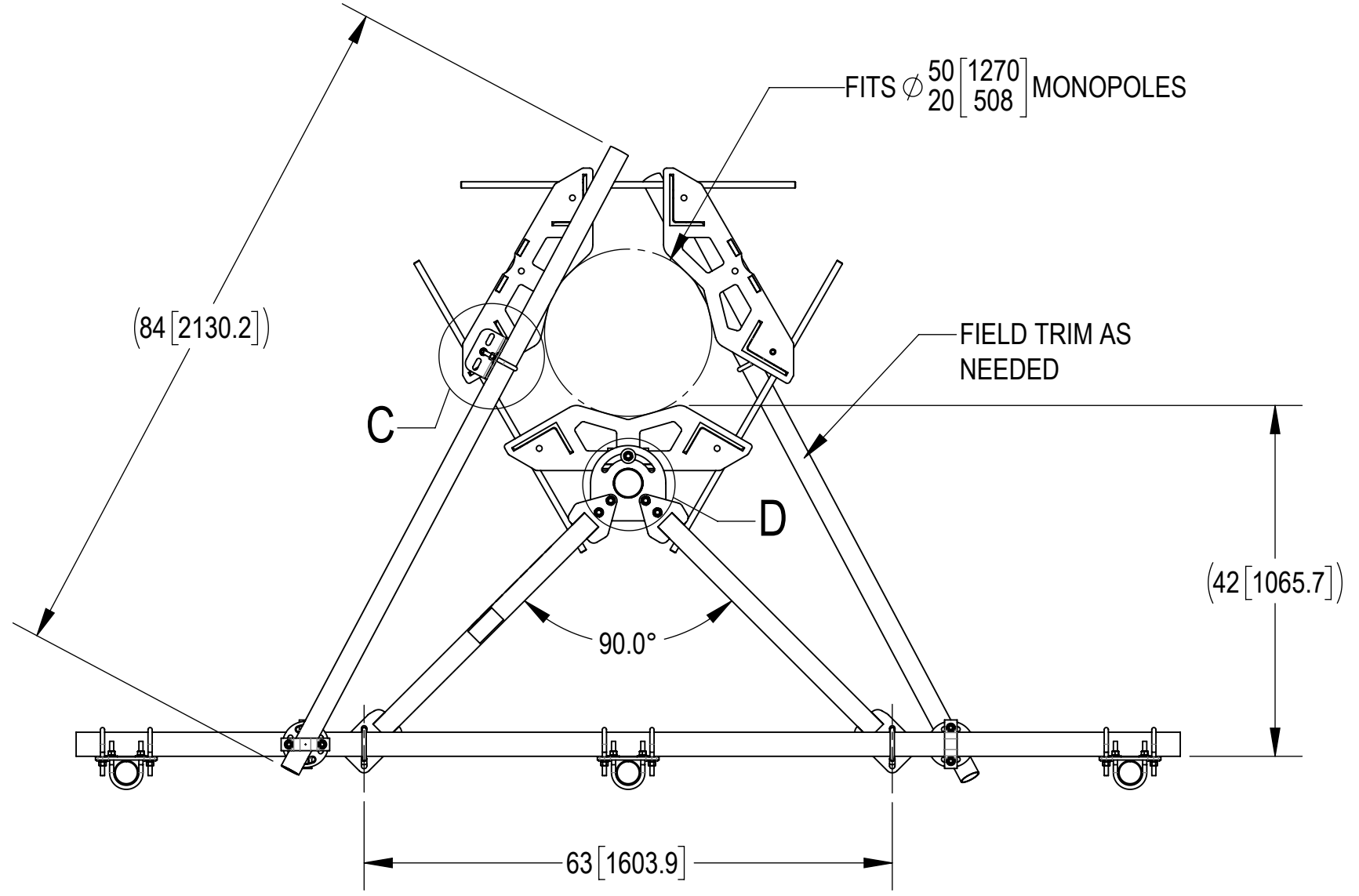
COMMSCOPE, INC. OF NORTH CAROLINA				
TITLE PG,MP,SF,11'FP,(09)120"AP				
SIZE C	SCALE 1:20	DOCUMENT NO. MCG22HDX-11-9-120		
DRAWING		REVISION		SHEET
VERSION 01	STATUS RE	REVISION B	2 OF 5	

4

3

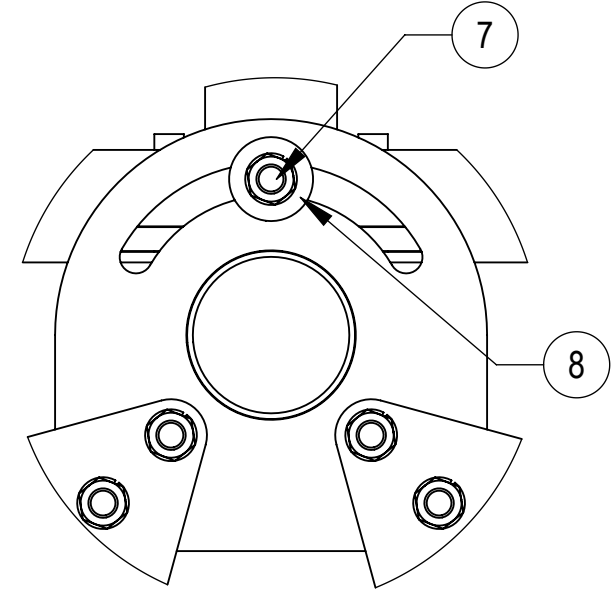
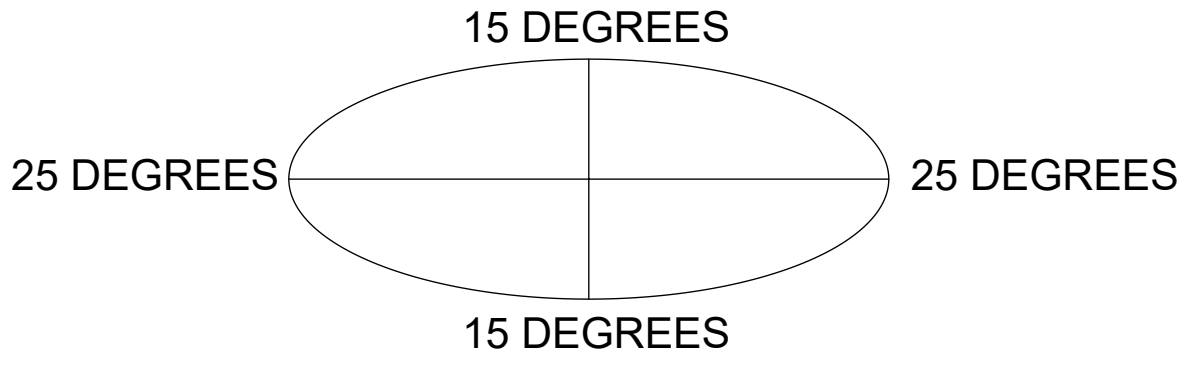
2

1

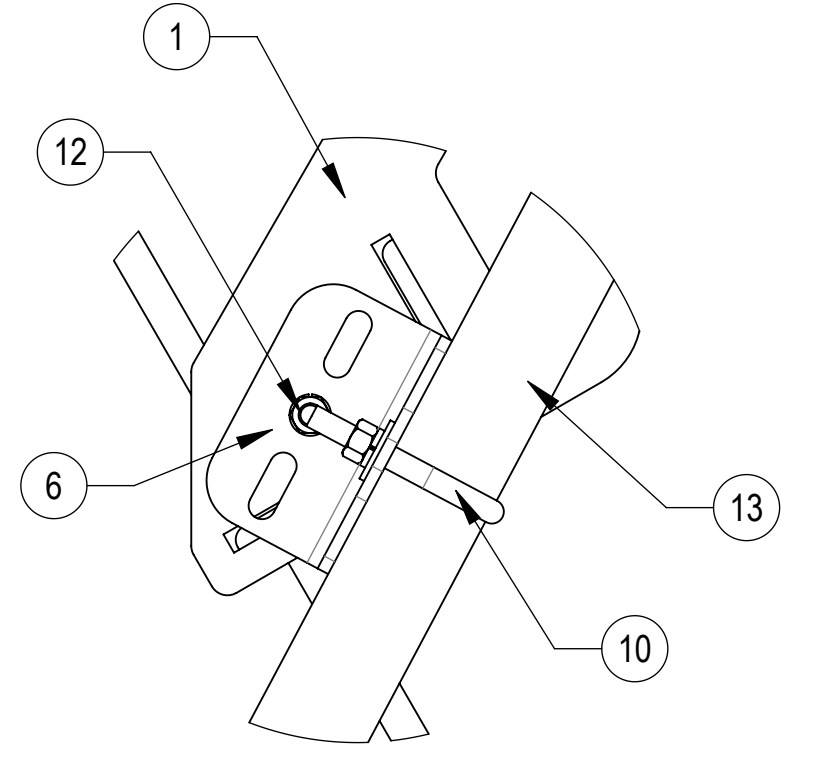


ALLOWABLE TIEBACK ANGLE

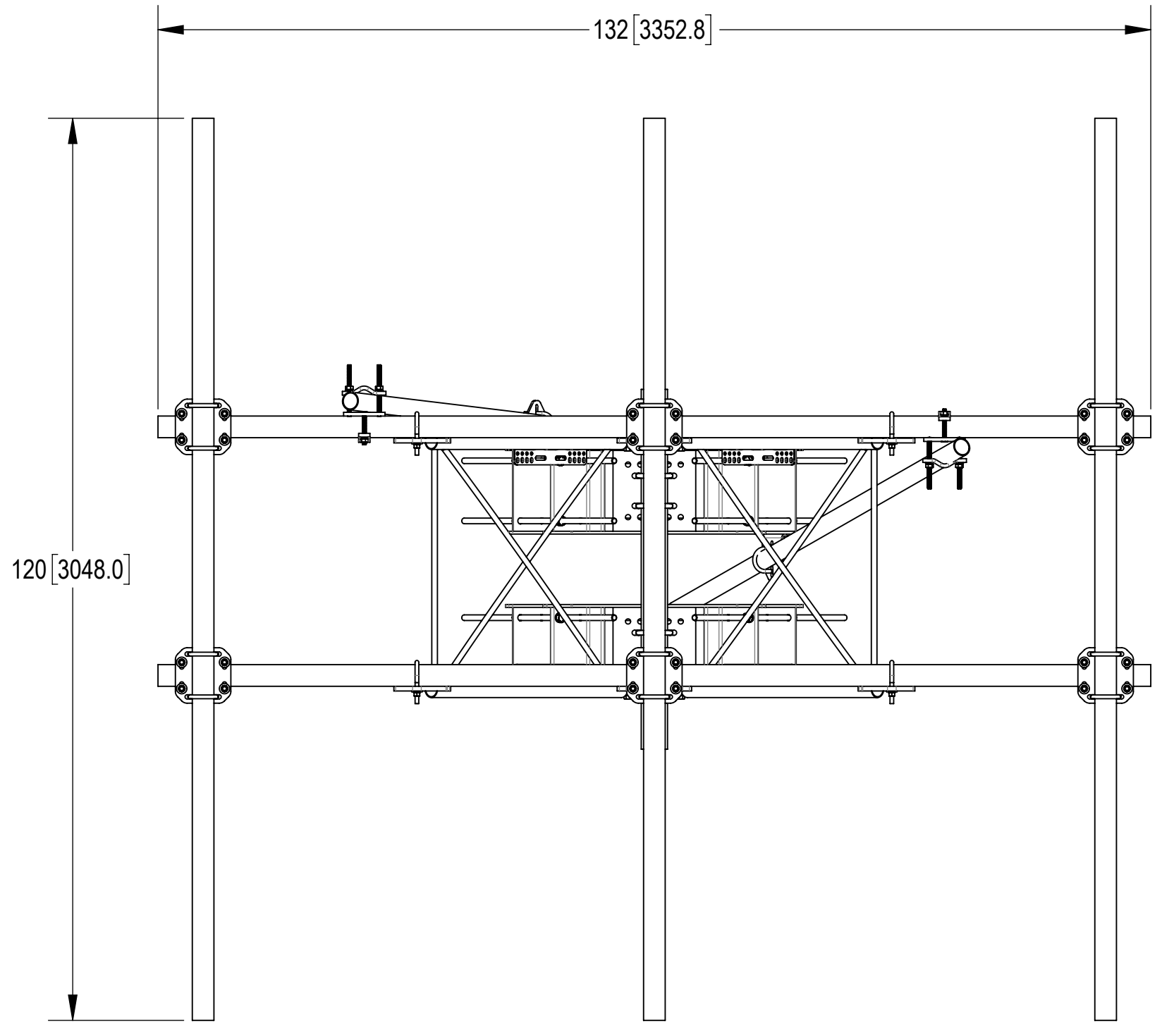
±15 DEGREES VERTICAL
±25 DEGREES HORIZONTAL



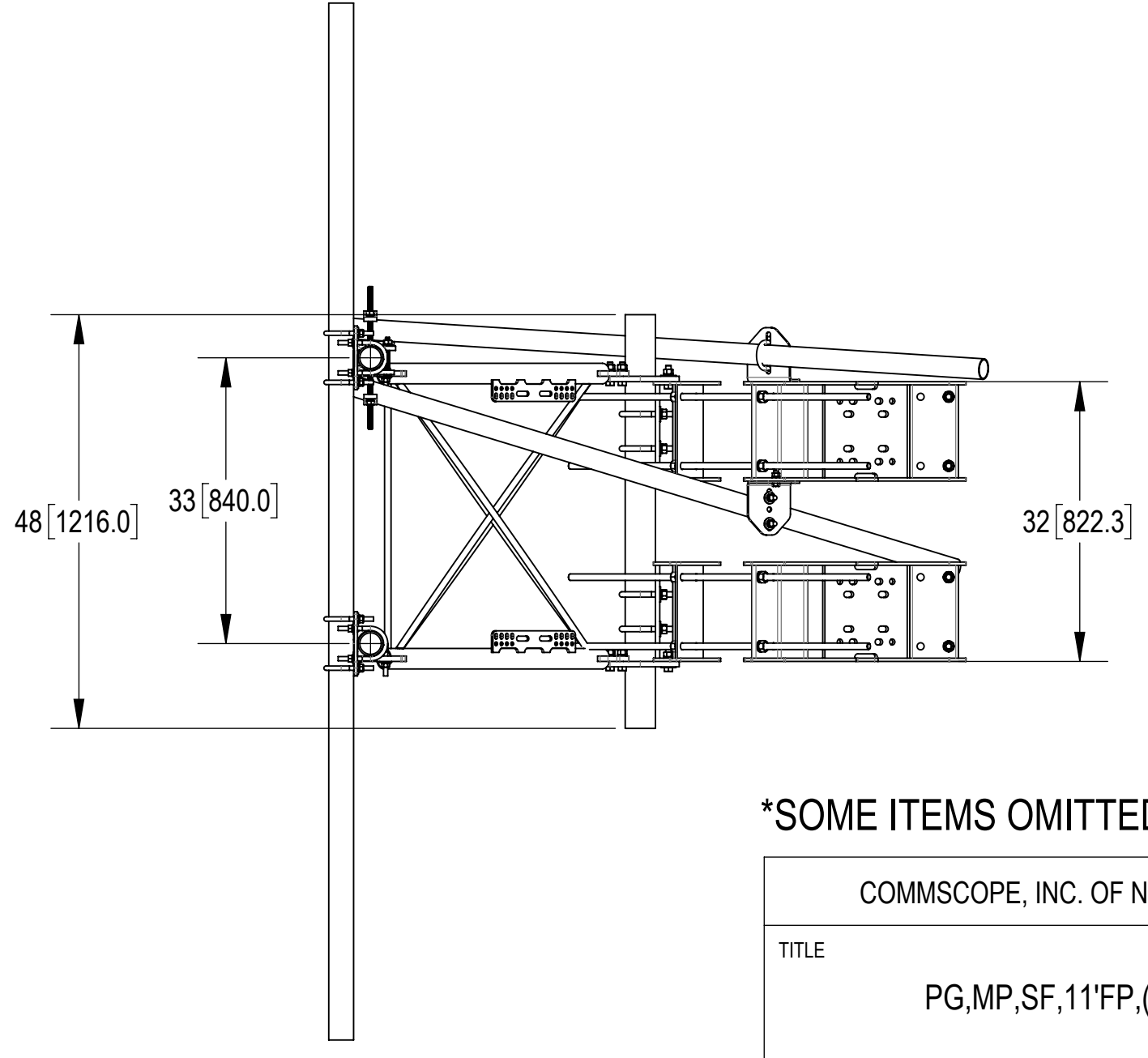
DETAIL D
SCALE 1 : 4



DETAIL C
SCALE 1 : 4



TOP
BOTTOM



SOME ITEMS OMITTED FOR CLARITY

COMMSCOPE, INC. OF NORTH CAROLINA				
TITLE PG,MP,SF,11'FP,(09)120"AP				
SIZE C	SCALE 1:20	DOCUMENT NO. MCG22HDX-11-9-120		
		DRAWING		SHEET
		VERSION	STATUS	REVISION
		01	RE	B
				SHEET 3 OF 5

4

3

2

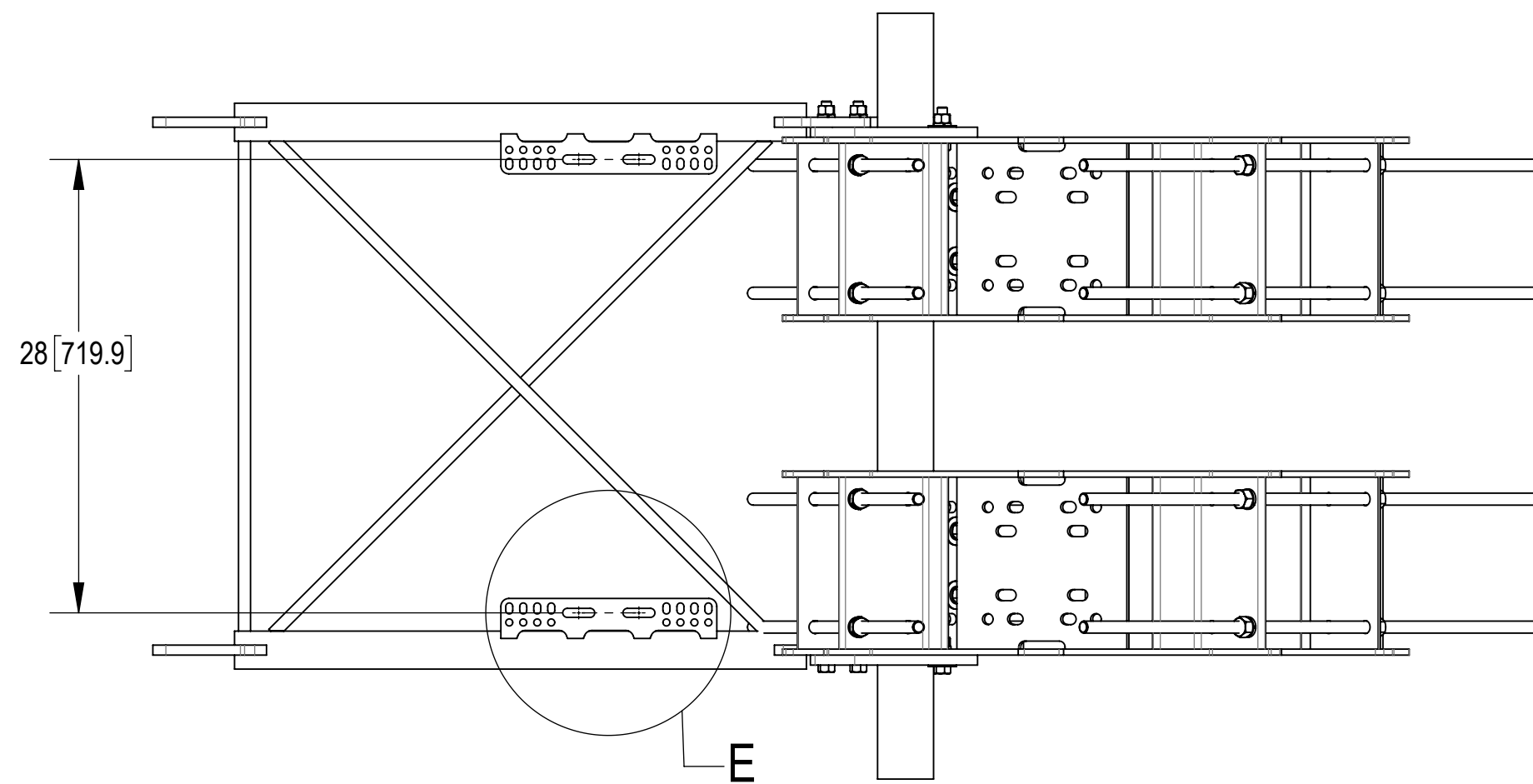
1

4

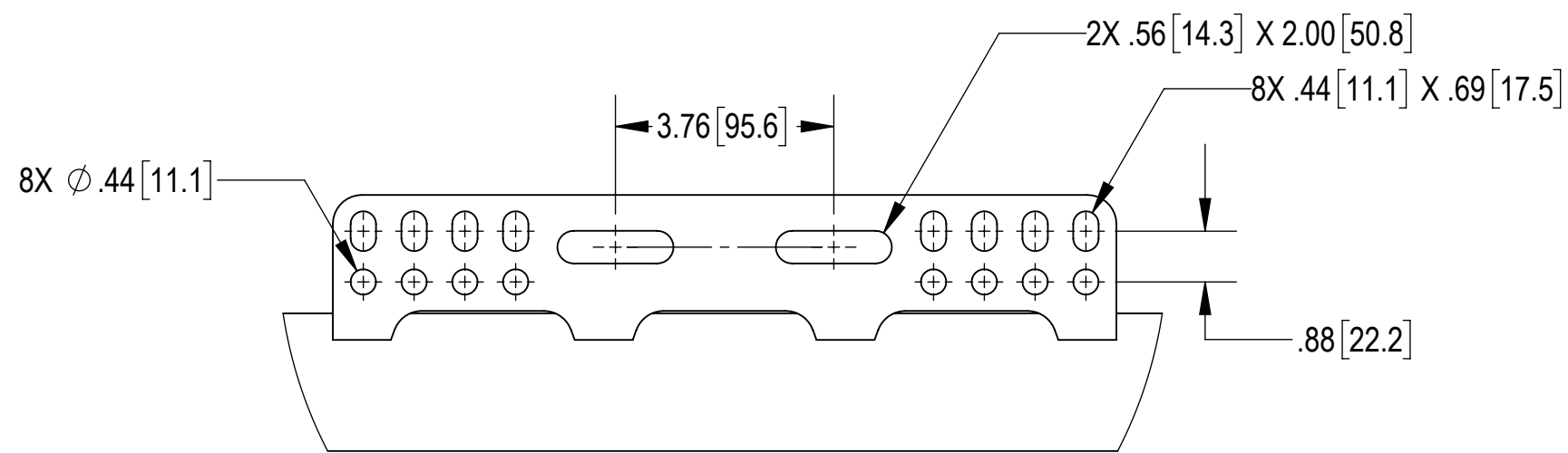
3

2

1



SIDE VIEW



DETAIL E
SCALE 1 : 3

COMMSCOPE, INC. OF NORTH CAROLINA

TITLE
PG,MP,SF,11'FP,(09)120"AP

SIZE C	SCALE 1:10	DOCUMENT NO. MCG22HDX-11-9-120
------------------	----------------------	-----------------------------------

	DRAWING			SHEET 4 OF 5
	VERSION 01	STATUS RE	REVISION B	

© 2024 CommScope, Inc. Confidential

4

3

2

1

D

D

C

C

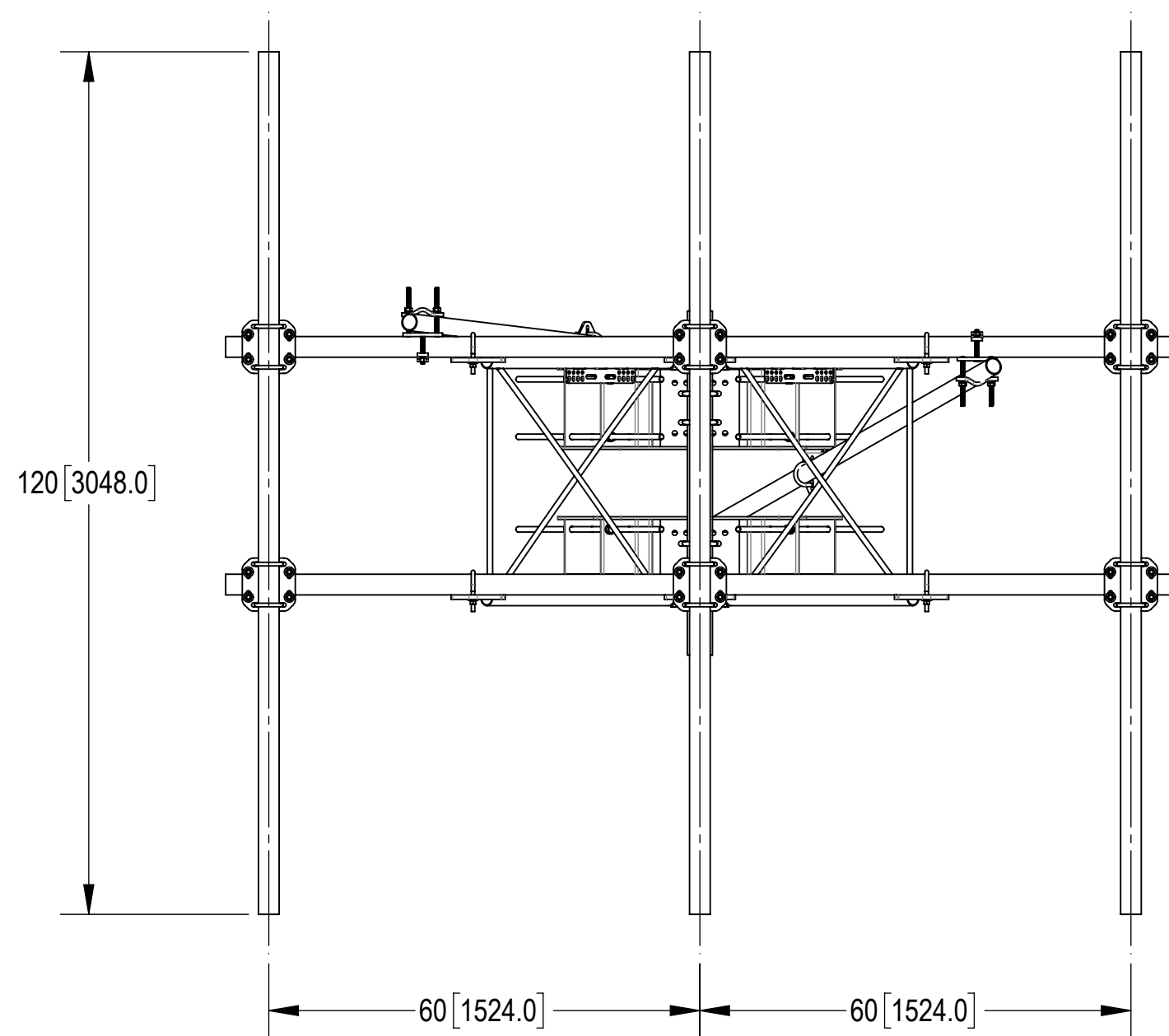
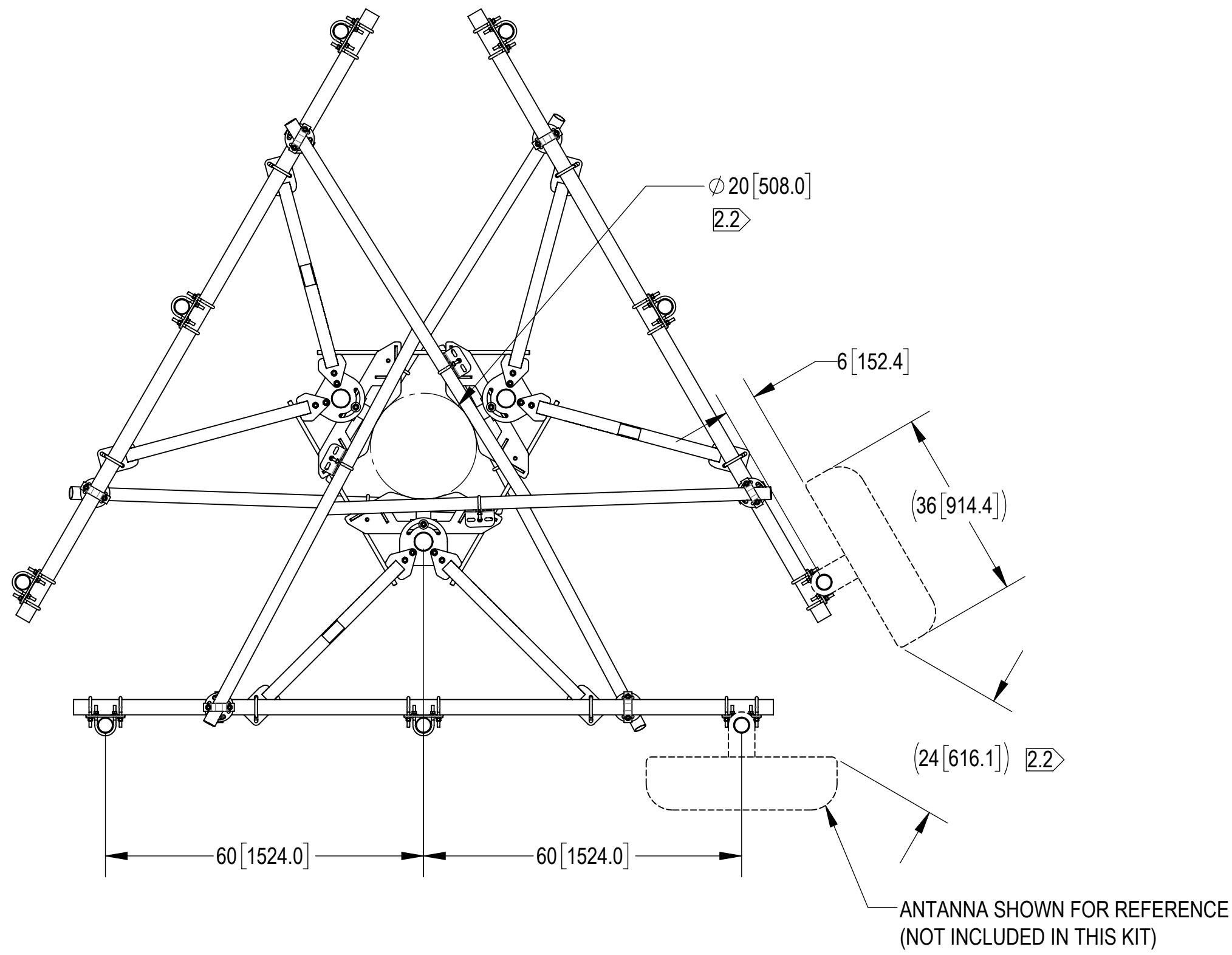
B

B

A

A

ANTENNA SPACING SHOWN



SOME ITEMS OMITTED FOR CLARITY

COMMSCOPE, INC. OF NORTH CAROLINA				
TITLE PG,MP,SF,11'FP,(09)120"AP				
SIZE C	SCALE 1:24	DOCUMENT NO. MCG22HDX-11-9-120		
		DRAWING		SHEET
		VERSION	STATUS	REVISION
		01	RE	B
				5 OF 5