



# Installation Instruction for CMAX-DMF-43-UW-I53-01 Antenna



**CMAX-DMF-43-UW-I53-01**

Document Number: **M0153AGB**

Document Revision: **01**

---

Date: **October 2024**

**DISCLAIMER:**

This document has been developed by CommScope, and is intended for the use of its customers and customer support personnel. The information in this document is subject to change without notice. While every effort has been made to eliminate errors, CommScope disclaims liability for any difficulties arising from the interpretation of the information contained herein. The information contained herein does not claim to cover all details or variations in equipment, nor to provide for every possible incident to be met in connection with installation, operation, or maintenance. This document describes the performance of the product under the defined operational conditions and does not cover the performance under adverse or disturbed conditions. Should further information be desired, or should particular problems arise which are not covered sufficiently for the purchaser's purposes, contact CommScope.

CommScope reserves the right to change all hardware and software characteristics without notice.

**COPYRIGHT:**

© Copyright 2024 CommScope Inc. All Rights Reserved.

This document is protected by copyright. No part of this document may be reproduced, stored in a retrieval system, or transmitted, in any form or by any means, electronic, mechanical photocopying, recording, or otherwise without the prior written permission of CommScope.

**TRADEMARKS**

All trademarks identified by ® or ™ are registered trademarks or trademarks, respectively, of CommScope. Names of products mentioned herein are used for identification purposes only and may be trademarks and / or registered trademarks of their respective companies.

Andrew Wireless Systems GmbH, 08-October-2024

## TABLE OF CONTENTS

<b>1. GENERAL</b>	<b>4</b>
<b>2. ANTENNA MOUNTING</b>	<b>4</b>
<b>3. WALL MOUNTING</b>	<b>5</b>
<b>4. POLE MOUNTING (60 MM MAX. POLE DIAMETER)</b>	<b>6</b>
4.1. PREPARATIONS	6
4.2. INSERTING BOLTS	7
4.3. MOUNTING THE ANTENNA	8
<b>5. ANGLE ADJUSTMENT</b>	<b>9</b>
5.1. AZIMUTH ANGLE	9
5.2. ELEVATION ANGLE	9
<b>6. CONTACTING COMMSCOPE</b>	<b>10</b>
6.1. DAS AND SMALL CELL TECHNICAL SUPPORT	10
6.2. WASTE ELECTRICAL AND ELECTRONIC EQUIPMENT RECYCLING	10
6.3. DAS AND SMALL CELL TECHNICAL TRAINING	11
6.4. ACCESSING COMMSCOPE USER DOCUMENTATION	11

## LIST OF CHANGES

<i>Version</i>	<i>Changes</i>	<i>Release Date</i>
M0153AGA	- first release	20-September-2023
M0153AGB	- Antenna name updated in complete document - Notes in chapter 1 updated and chapter on outdoor installation deleted - Links in chapters 6.1 and 6.2 updated	08-October-2024

## 1. General

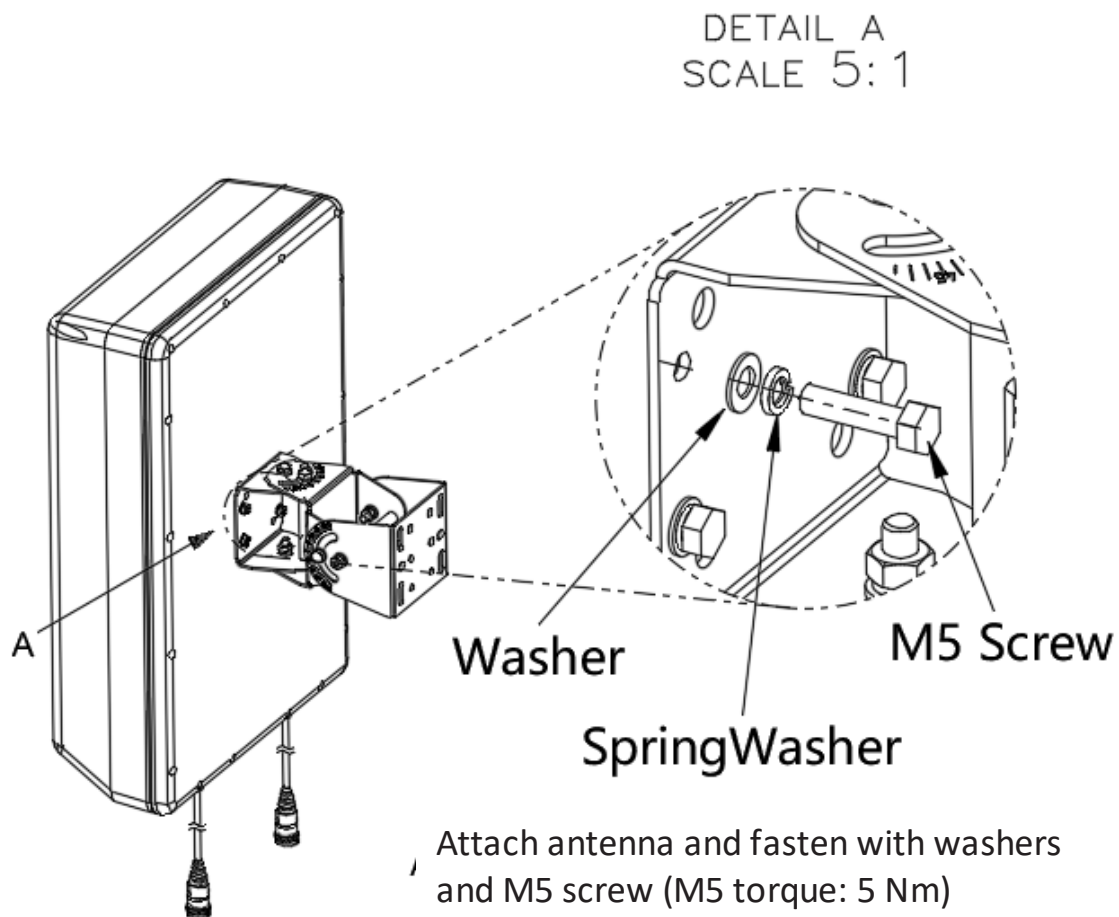
### Notes:

- This antenna is designed for indoor use only.
- Please read the complete description before starting the installation.
- Be sure that connectors are properly sealed if no cables are connected to them after the installation.
- Tools required: Wrench, width: 8 mm & 10 mm



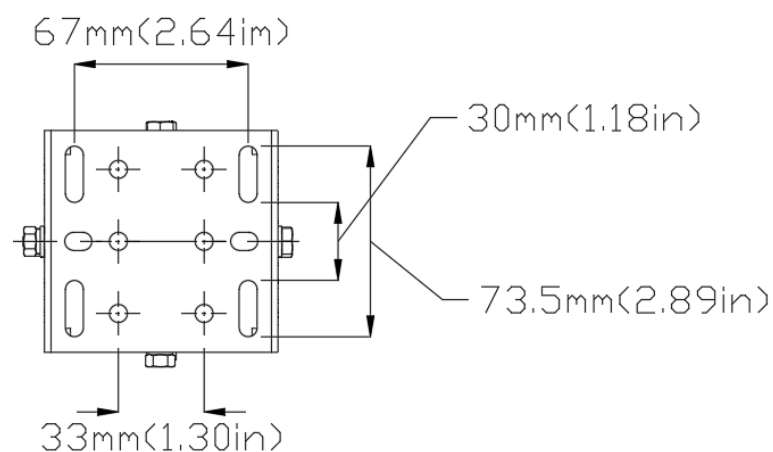
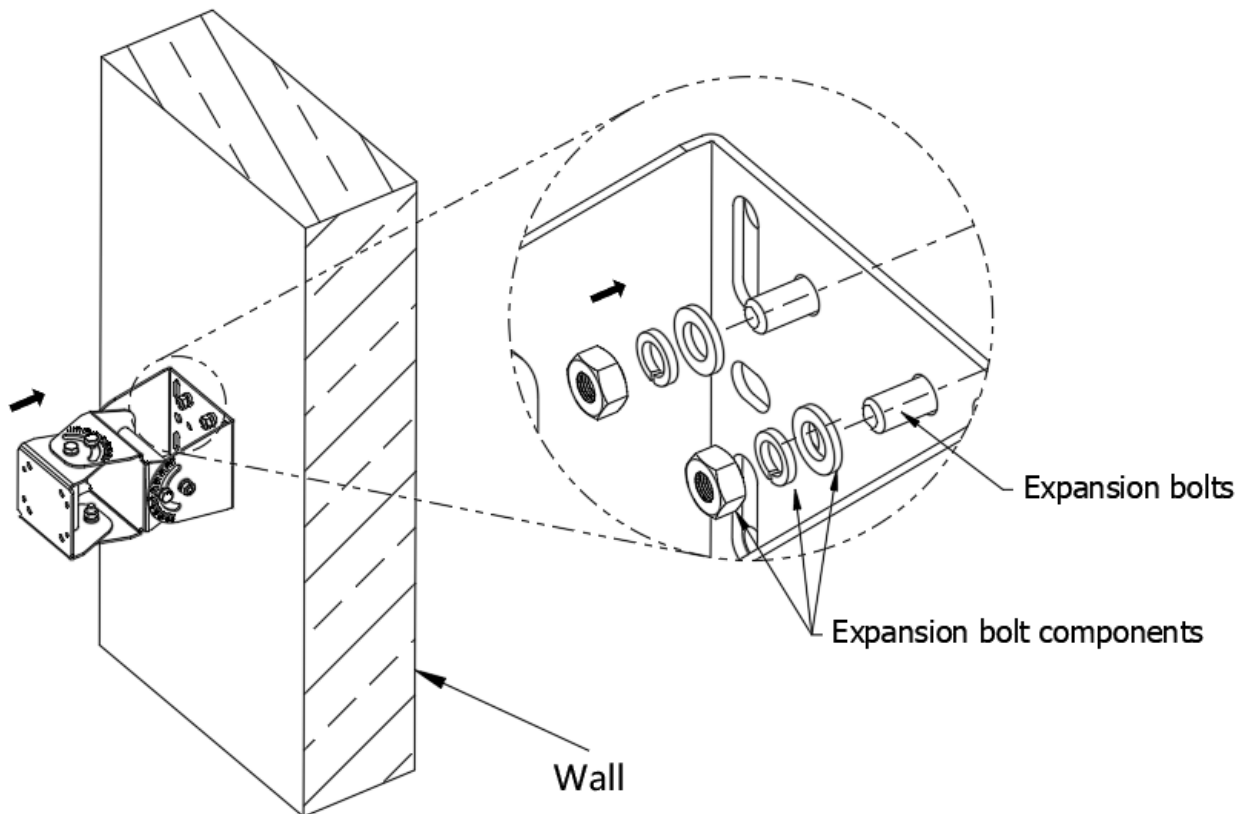
## 2. Antenna Mounting

Proceed as follows to mount the CMAX-DMF-43-UW-I53-01:



### 3. Wall Mounting

To mount the CMAX-DMF-43-UW-I53-01 antenna to a wall (pole mounting see next chapter), proceed as follows:

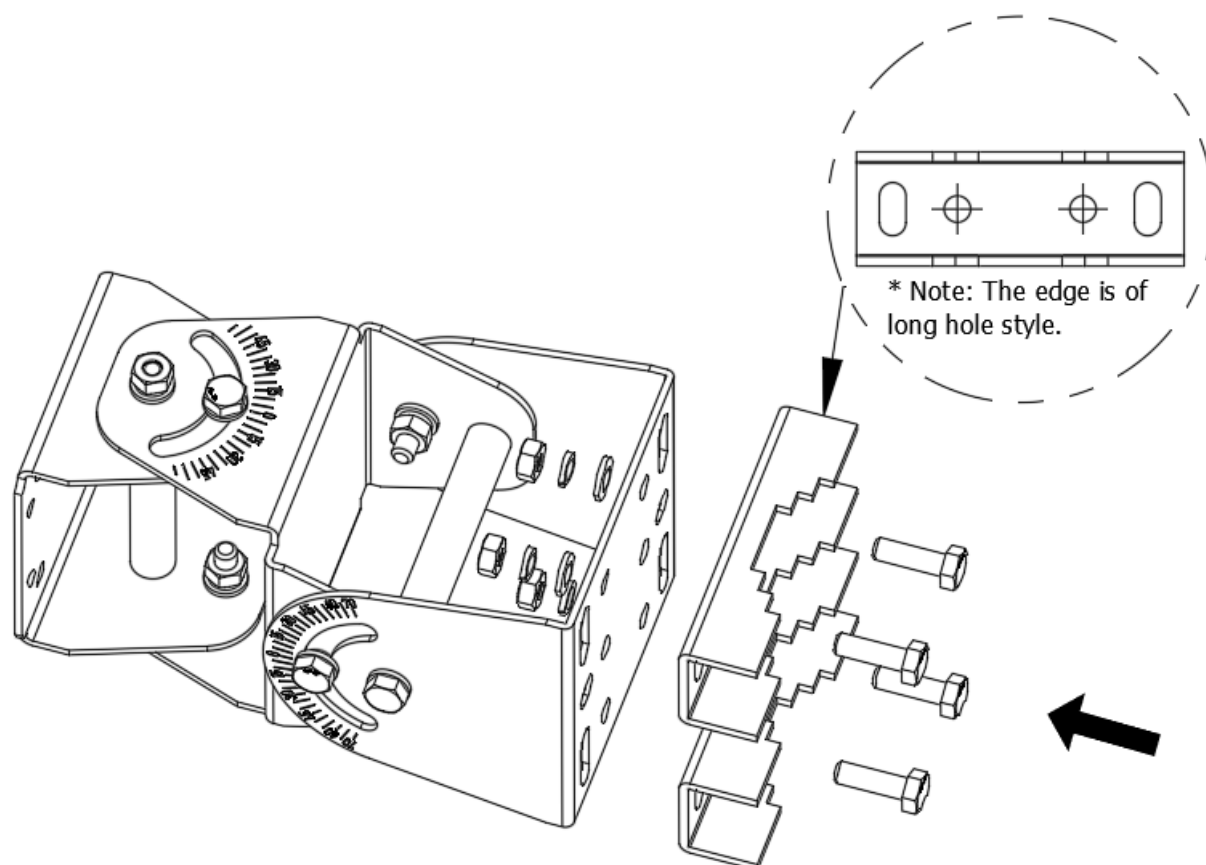


1. Mark 4 holes onto the wall as shown in the drawing above.
  2. Drill four holes into the wall and insert appropriate expansion bolts into the holes.
  3. Attach the antenna pedestal.
- (Note: Expansion bolt parts have to be provided by the user.)

## 4. Pole Mounting (60 mm max. pole diameter)

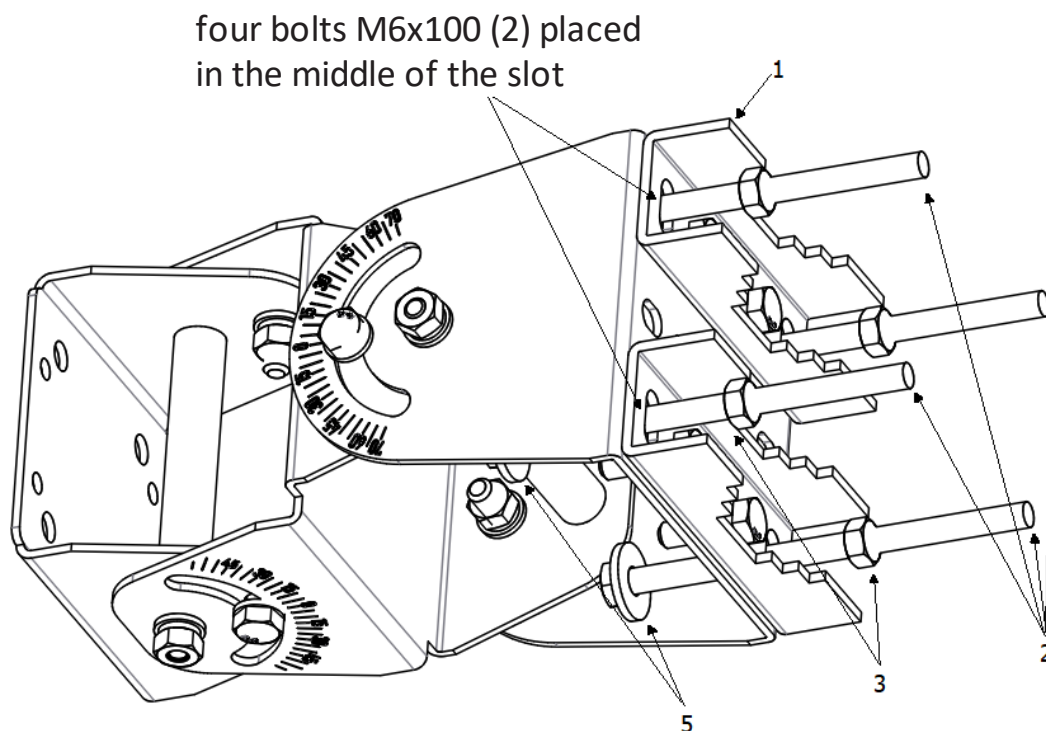
Alternatively, a pole-mounting kit is also part of the delivery. The recommended pole diameter for this mounting kit is 35 - 60 mm. To mount an antenna to a pole using this kit, proceed as described in the following:

### 4.1. Preparations



1. Install the two splints on the main body of the support, and install them in the front direction of the picture with four M6\*20 screws, washers, spring washers, and nuts.
2. Tighten the four M6 nuts observing the specified torque of 10 Nm.

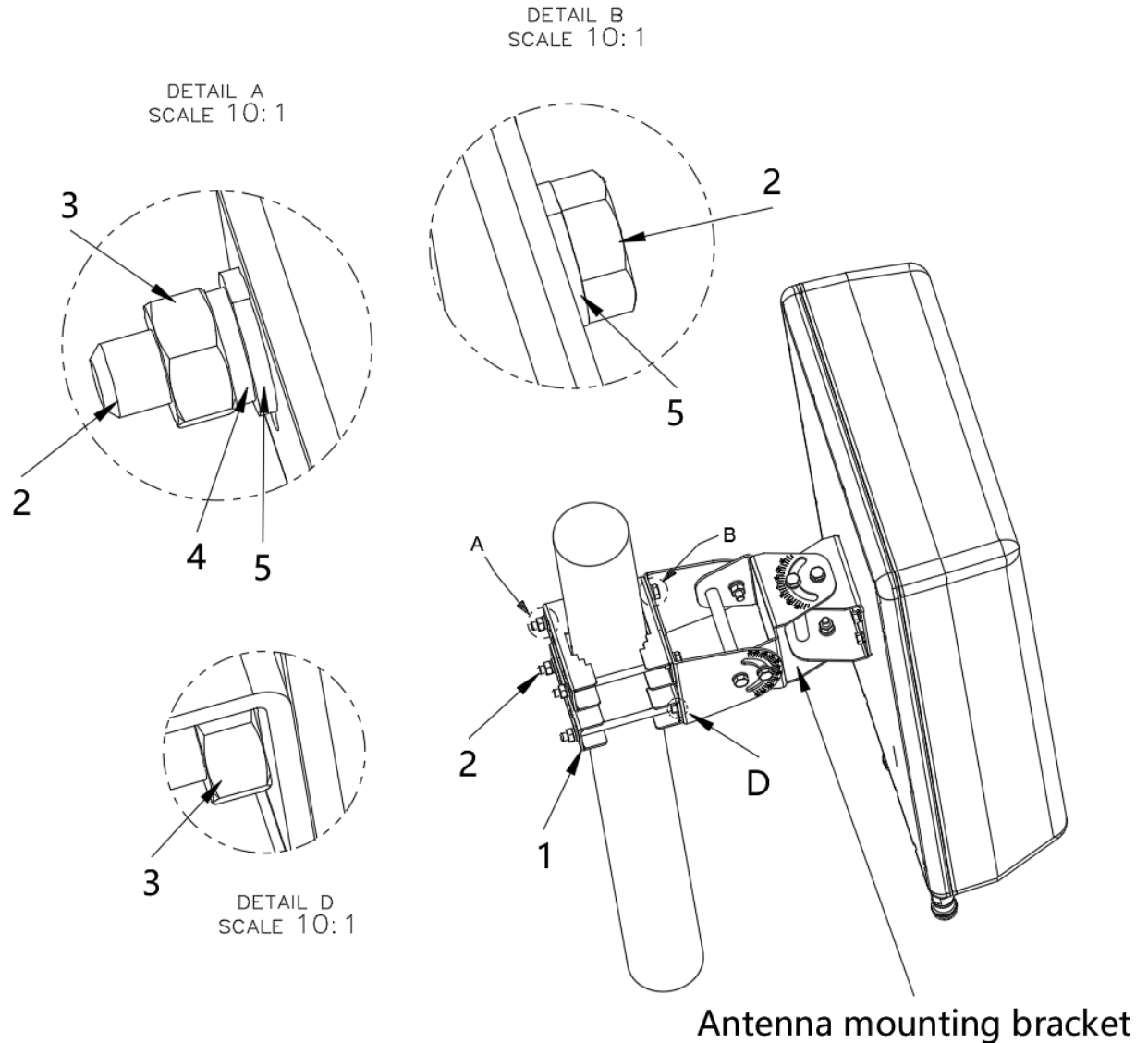
### 4.2. Inserting Bolts



Insert four M6x100 (2) bolts and four filled-corner washers (5) into the antenna mounting bracket, then tighten the four M6 nuts (3), four M6x100 (2) placed in the middle of the slot.

### 4.3. Mounting the Antenna

To mount the antenna to a pole, proceed as follows:



1. Insert the pole mounting bracket into these four bolts and place the washers & spring washers (4 & 5) and the M6 nuts (3) over each bolt.

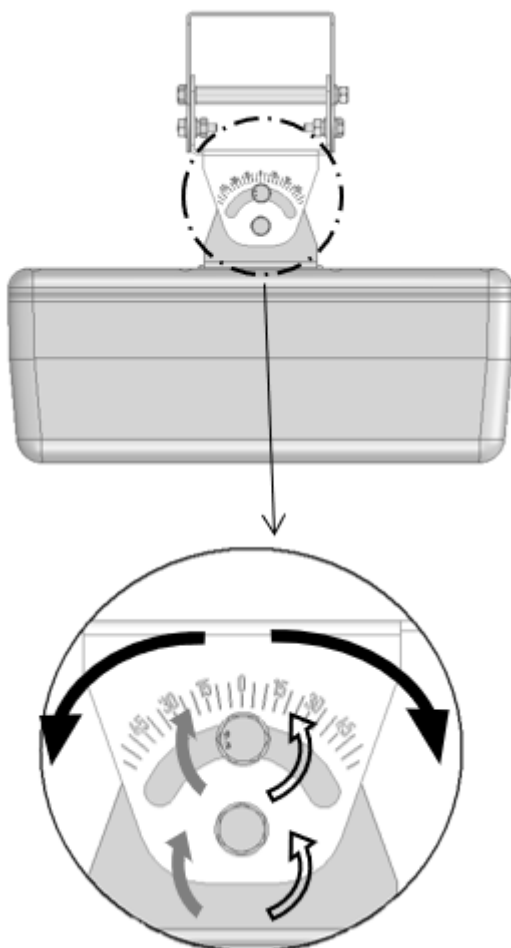
2. Tighten the four M6 nuts observing the specified torque of 10 Nm.

Note: 5 is M6\*18\*2mm (screw specification \* outer diameter \* thickness) gasket.



## 5. Angle Adjustment

### 5.1. Azimuth Angle



1. Loosen the three fixing screws at the top and bottom side. (Do not unscrew them completely.)



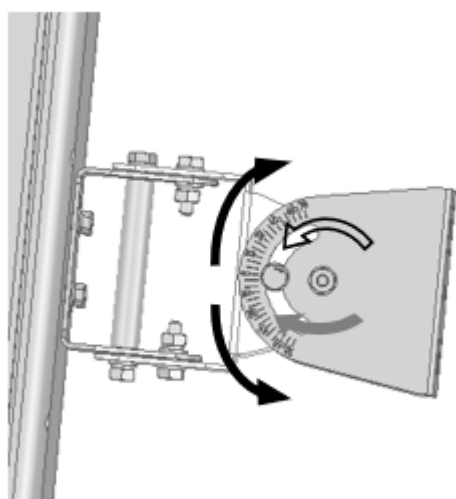
2. Adjust your desired angle. The complete antenna pedestal can be swivelled to the left-/right-hand side by up to 40°.



3. Tighten the fixing screws.



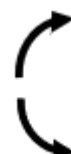
### 5.2. Elevation Angle



1. Loosen the three fixing screws at the left- and right-hand side. (Do not unscrew them completely.)



2. Adjust your desired angle. The complete antenna pedestal can be swivelled to the up-/downside by up to 40°.



3. Tighten the fixing screws.



## 6. Contacting CommScope

The following sections tell you how to contact CommScope for additional information or for assistance.

### 6.1. DAS and Small Cell Technical Support

The following sections tell you how to contact the DAS and Small Cell Technical Support team. Support is available 7 days a week, 24 hours a day.

#### Telephone Helplines

Use the following Helpline telephone numbers to get live support, 24 hours a day:

<b>24x7</b>	+1 888-297-6433 (Toll free for U.S. and Canada)
<b>EMEA 8:00-17:00 (UTC +1)</b>	+ 800 73732837 (Toll free for parts of EMEA and Australia) + 49 909969333 (Toll charge incurred)

Calls to an EMEA Helpline outside of the 8:00 to 17:00 time frame will be forwarded to the 24x7 Helpline.

#### Online Support

To go to the CommScope **Wireless Support Request** web site from which you can initiate a Technical Support ticket, do one of the following:

- Scan the QR Code to the right.
- If viewing this document online as a PDF, click on the following URL link:
- <https://wisupport.commscope.com/>
- Enter the preceding URL into your web browser, and then press **ENTER** on your keyboard.



### 6.2. Waste Electrical and Electronic Equipment Recycling

Country specific information about collection and recycling arrangements per the Waste Electrical and Electronic Equipment (WEEE) Directive and implementing regulations is available on CommScope's website. To access information on the CommScope recycling program, do any of the following:

- Scan the QR Code to the right.
- If viewing this document online as a PDF, click on the following URL link:
- <https://www.commscope.com/corporate-responsibility-and-sustainability/environment/weee-customer-recycling/>
- Enter the preceding URL into your web browser, and then press **ENTER** on your keyboard.



### 6.3. DAS and Small Cell Technical Training

1. To access training on the online technical training site, please use the following web address or scan the QR code to the right:  
<https://commscopeuniversity.com>
2. Once you have logged in, you can search for training by typing search words in the **Search** bar or by going to the Catalog page to view the available courses.
3. Instructor-led courses are conducted in North America and Europe. Before choosing a course, please verify the region.
4. For training related questions, please contact us:  
[icn\\_training@commscope.com](mailto:icn_training@commscope.com)



### 6.4. Accessing CommScope User Documentation

1. Access to the Customer Portal requires a user account. If you don't have an account:
  - Visit My CommScope at <https://www.mycommscope.com>.
  - Click New user registration and follow the prompts.
  - After you've registered in My CommScope, click the Request Additional Access button and select the DAS and Small Cell Customer Portal from the list of applications.
2. Scan the QR Code to the right to go directly to the CommScope DAS and Small Cell Customer Portal, where you can access the DAS and Small Cell user documentation.  
  
Alternatively, you can go to the following web address to access the portal:  
<https://www.commscope.com/membership>
3. In Tools and Documentation, search by product, document category, or title.
4. Click on the title of any document to open it.

