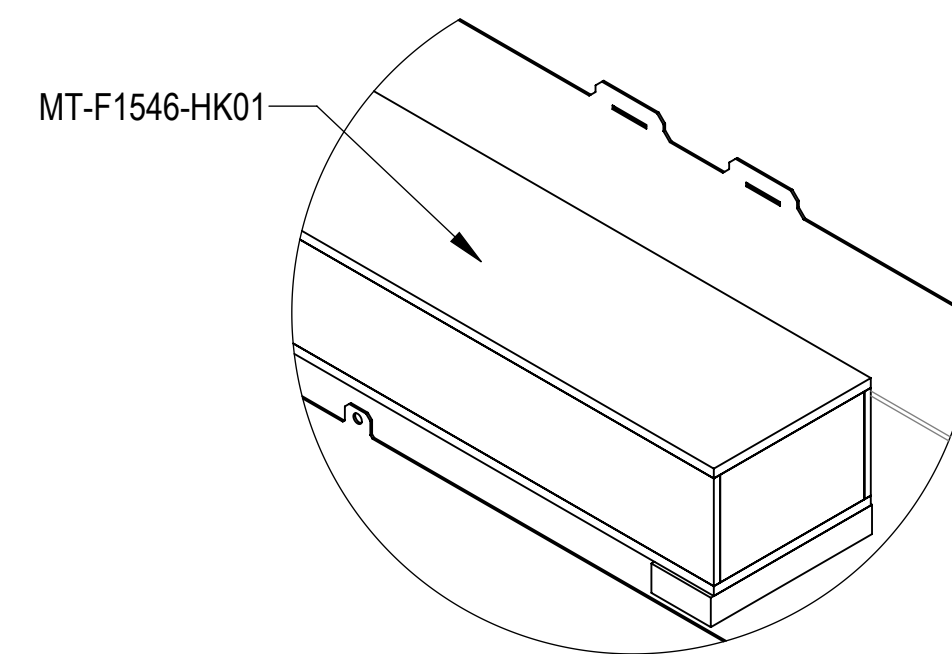
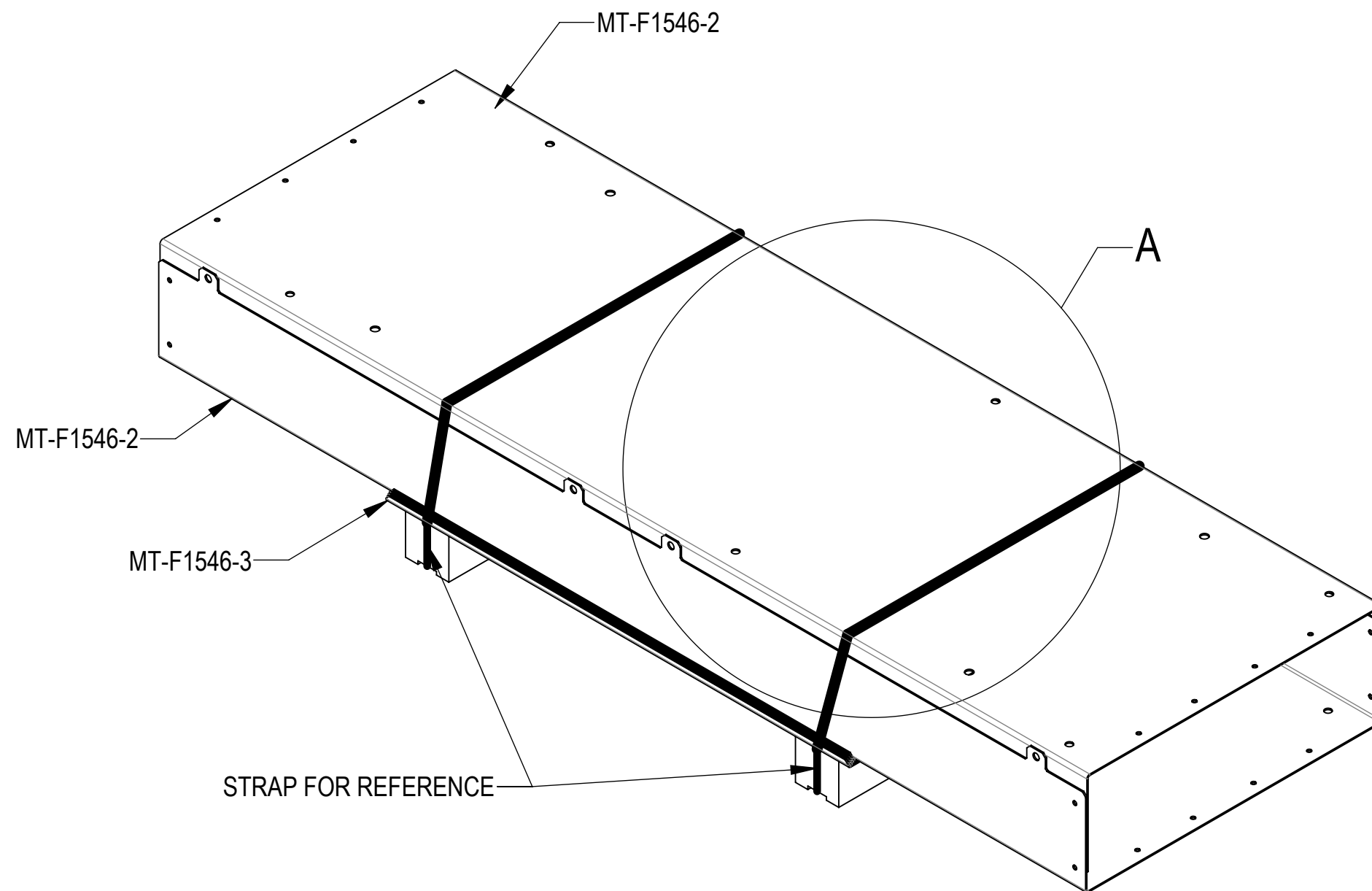


- 1.0 GENERAL NOTES  
 1.1 ALL METRIC DIMENSIONS ARE IN BRACKETS [X.X]  
 1.2 FOR PATENT INFO: <https://www.cs-pat.com>  
 2.0 DESIGN NOTES  
 3.0 MANUFACTURING/SPECIAL REQUIREMENTS  
 3.1 THIS IS A KIT FOR THE END USER TO BUILD ON SITE  
 4.0 TEST  
 5.0 PACKAGING  
 5.1 PACKAGING SHALL MEET COMMSCOPE REQUIREMENTS PER DOCUMENT IS-PL-3005  
 5.2 PRINTED DOCUMENT TO BE PLACED INSIDE POLYBAG AND THEN IN SHIPPING CONTAINER  
 5.3 EXTRA HARDWARE MAY BE SUPPLIED, BAGGED AND SHIPPED

REVISIONS			
REV.	DESCRIPTION	DATE	APPROVED
A	INITIAL RELEASE	LL1090 21OCT24	RW1043 40205040CMO



**DETAIL A**  
 SCALE 1 : 8  
 (HIDE TOP MT-F1546-2 FOR CLARITY)

**PACKAGE VIEW**

DENSITY	lbs/in <sup>3</sup>
MASS	lbs
VOLUME	in <sup>3</sup>
SURFACE AREA	in <sup>2</sup>
HEIGHT	8.0"
LENGTH	51.0"
WIDTH	24.0"

<b>COMMSCOPE, INC. OF NORTH CAROLINA</b>										
TOLERANCES					SAP MATERIAL MASTER					
1 PLACE .X[X] ± 0.2[6.3]		3 PLACE .XXX[X] ± 0.060[1.5]			<b>MT-F1546</b>					
2 PLACE .XX[X] ± 0.12[3.0]		ANGLES ± 2°								
FINISH SEE BOM					MATERIAL SEE BOM					
UNLESS OTHERWISE SPECIFIED DIMENSIONS ARE IN INCHES INTERPRET PER ANSI Y 14.5M-1994	NAME	DATE	TITLE							
	CE LL1090	21OCT24	<b>CABLE CHASE, ASSEMBLY, 12.5'</b>							
	RW EB1063	10/31/2024								
	AD RW1043	10/31/2024								
	RE RW1043	10/31/2024								
ECN 40205040CMO										
SCALE	DOCUMENT NO.									
<b>1:16</b>	<b>MT-F1546</b>									
SIZE	Auth Group	INSL	MODEL			DRAWING				SHEET
<b>C</b>			VERSION	STATUS	REVISION	VERSION	STATUS	REVISION	1 OF 3	
			00	RE	A	00	RE	A		

4

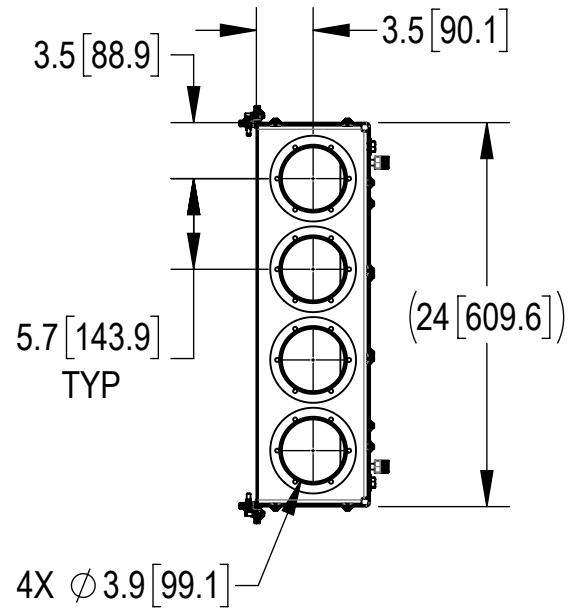
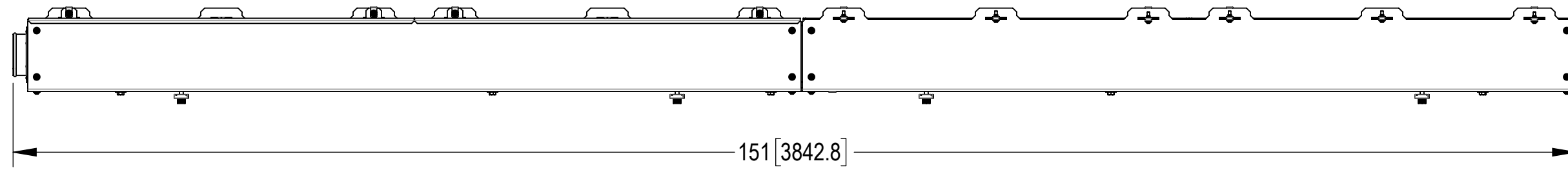
3

2

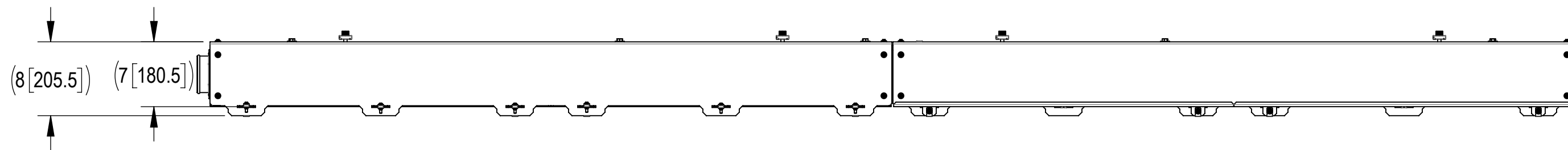
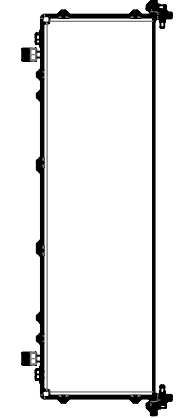
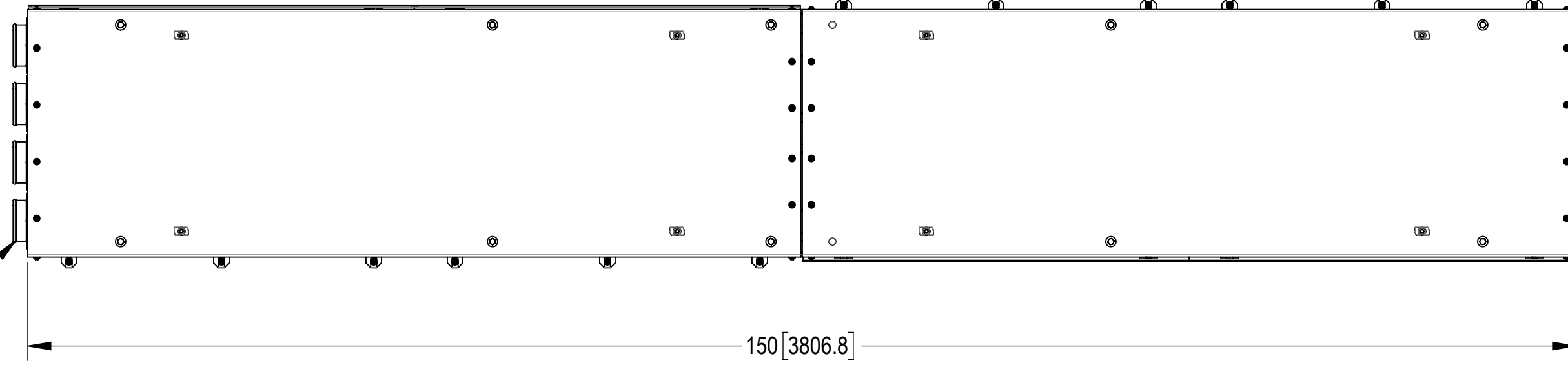
1

D

D

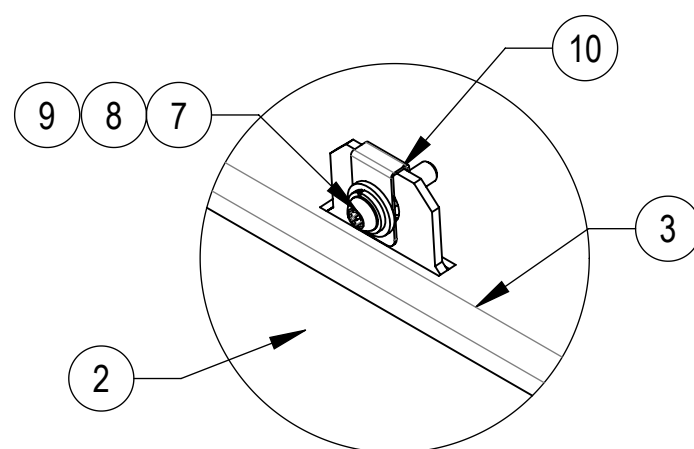


1

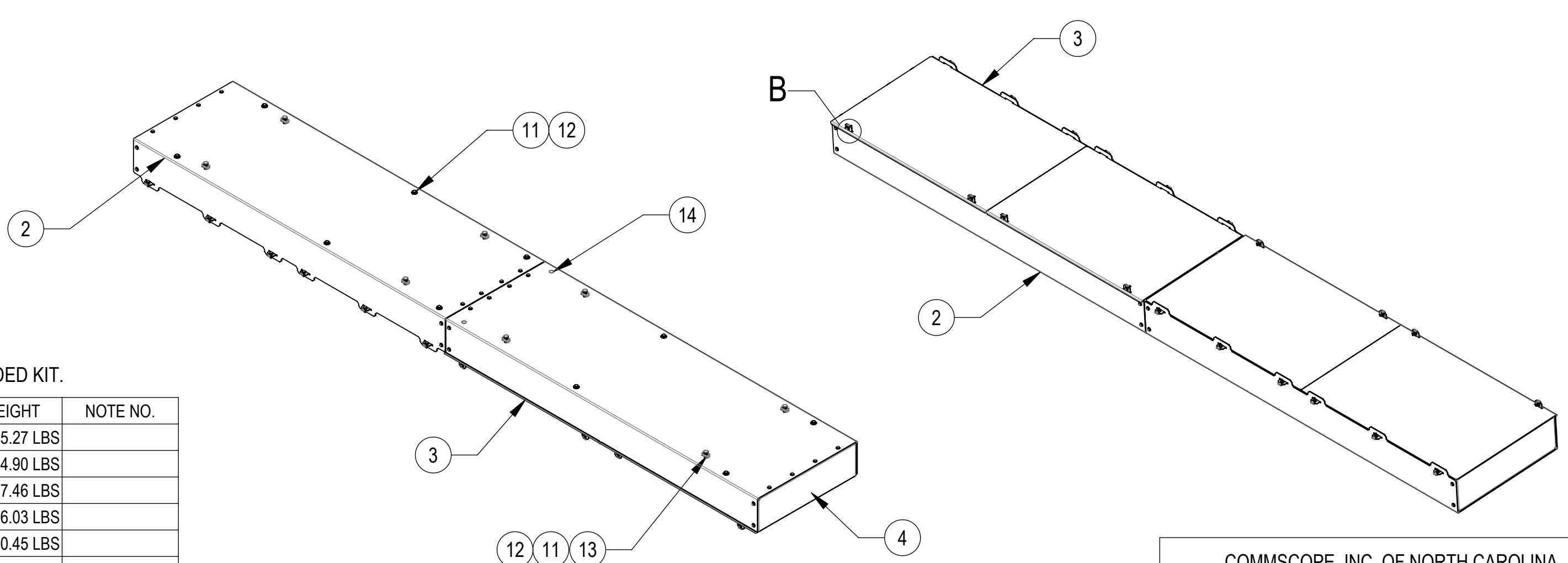


C

C



DETAIL B  
SCALE 1 : 2



B

B

COMPONENT PART NUMBERS PROVIDED FOR ASSEMBLY PURPOSES;  
INDIVIDUAL COMPONENTS MAY BE SHIPPED AS PARTS WITHIN AN INCLUDED KIT.

ITEM	PART NO.	DESCRIPTION	QTY.	WEIGHT	NOTE NO.
1	MT-F1546-0	ASSY, CHASE DOOR W-4 GLANDS	1	5.27 LBS	
2	MT-F1546-2	CABLE CHASE MAIN, E-GALV	2	84.90 LBS	
3	MT-F1546-3	CABLE CHASE DOOR, E-GALV	4	27.46 LBS	
4	MT-F1546-4	END BLANK 4-CABLE CHASE, E-GALV	1	6.03 LBS	
5	MTC998529	SPLICE PLATE 4- CHASE, E-GALV	4	0.45 LBS	
6	ZB-H8	HORIZONTAL Z-BRACKET, 14 RUNS OF COAX	5	5.11 LBS	
7	100901-52	SCR,FH,TORX,M6,25,SST,PASS,TAMPER PROOF	52	0.01 LBS	5.3
8	SWL-M6	M6 SS LOCK WASHER	52	0.00 LBS	5.3
9	SWF-02	FLAT WASHER, 1/4" SS	52	0.00 LBS	5.3
10	460143456	CLIP NUT, M6, 316 SST	52	0.01 LBS	5.3
11	GB-03105	3/8" X 1" GALV BOLT KIT	18	0.05 LBS	
12	GWf-03	3/8" GALV FLAT WASHER	28	0.01 LBS	
13	MT-491	SPRING NUT, 1-5/8" W/3/8" HOLE	8	0.11 LBS	
14	9688K125	PLUG FOR PANELS	2	0.00 LBS	
15	MT-F1546	REFERRENCE DOCUMENT	1	.001	5.2

A

A

COMMSCOPE, INC. OF NORTH CAROLINA					
TITLE CABLE CHASE, ASSEMBLY, 12.5'					
SIZE C	SCALE 1:16	DOCUMENT NO. MT-F1546			
		DRAWING			SHEET 2 OF 3
		VERSION 00	STATUS RE	REVISION A	

4

3

2

1



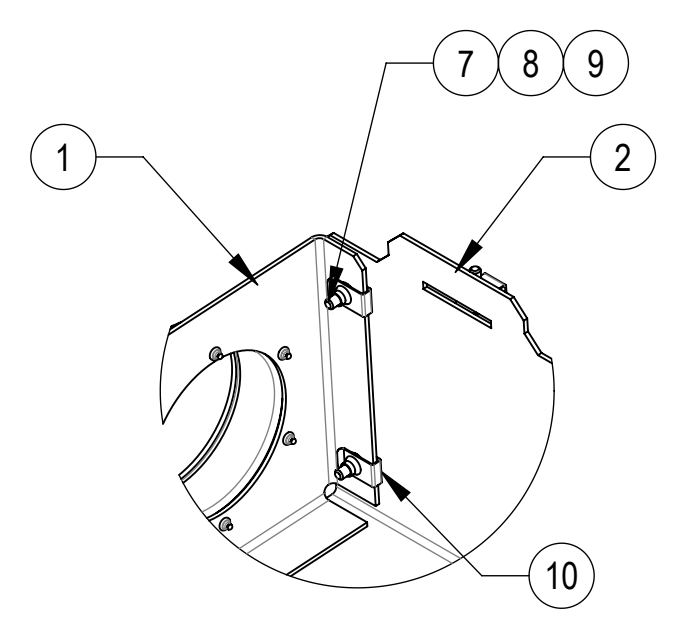
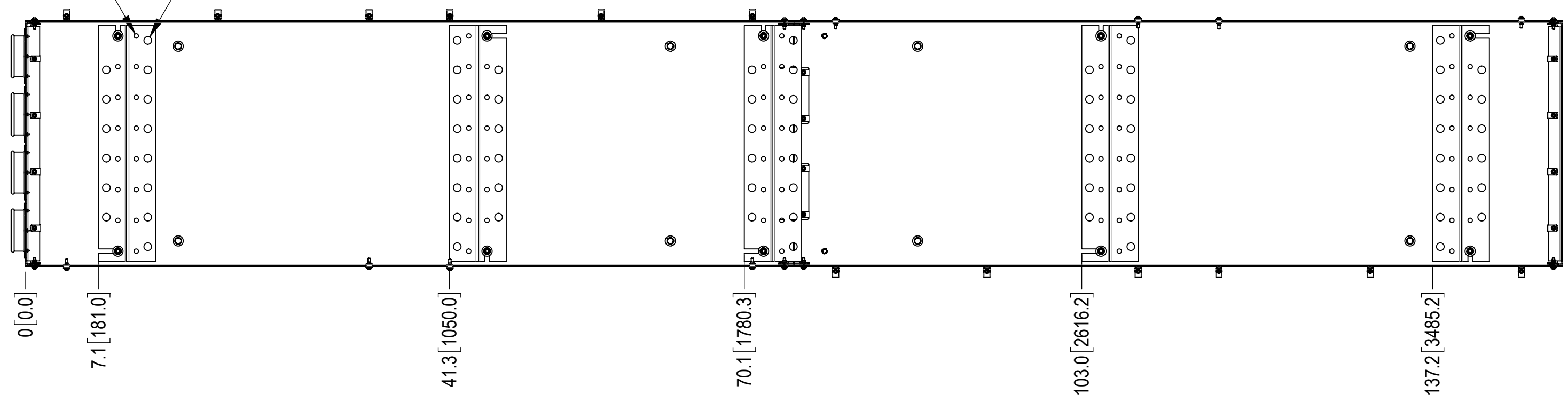
4

3

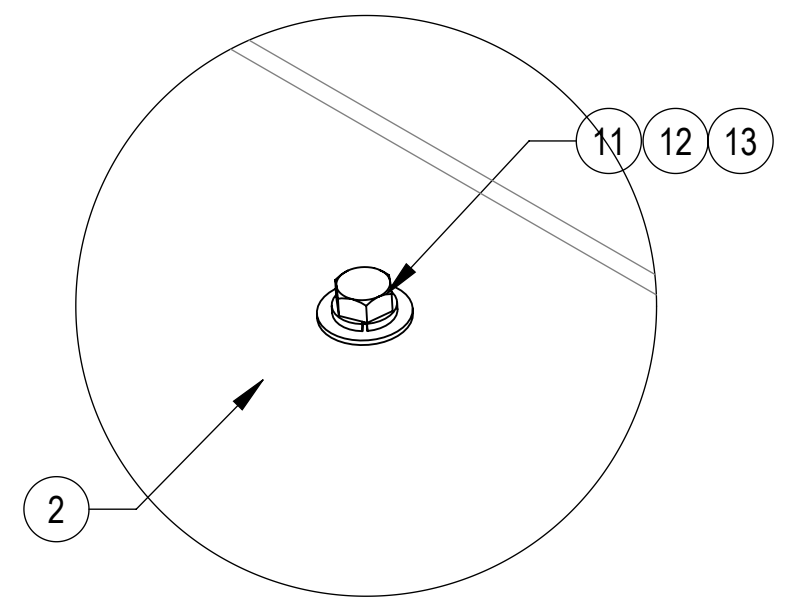
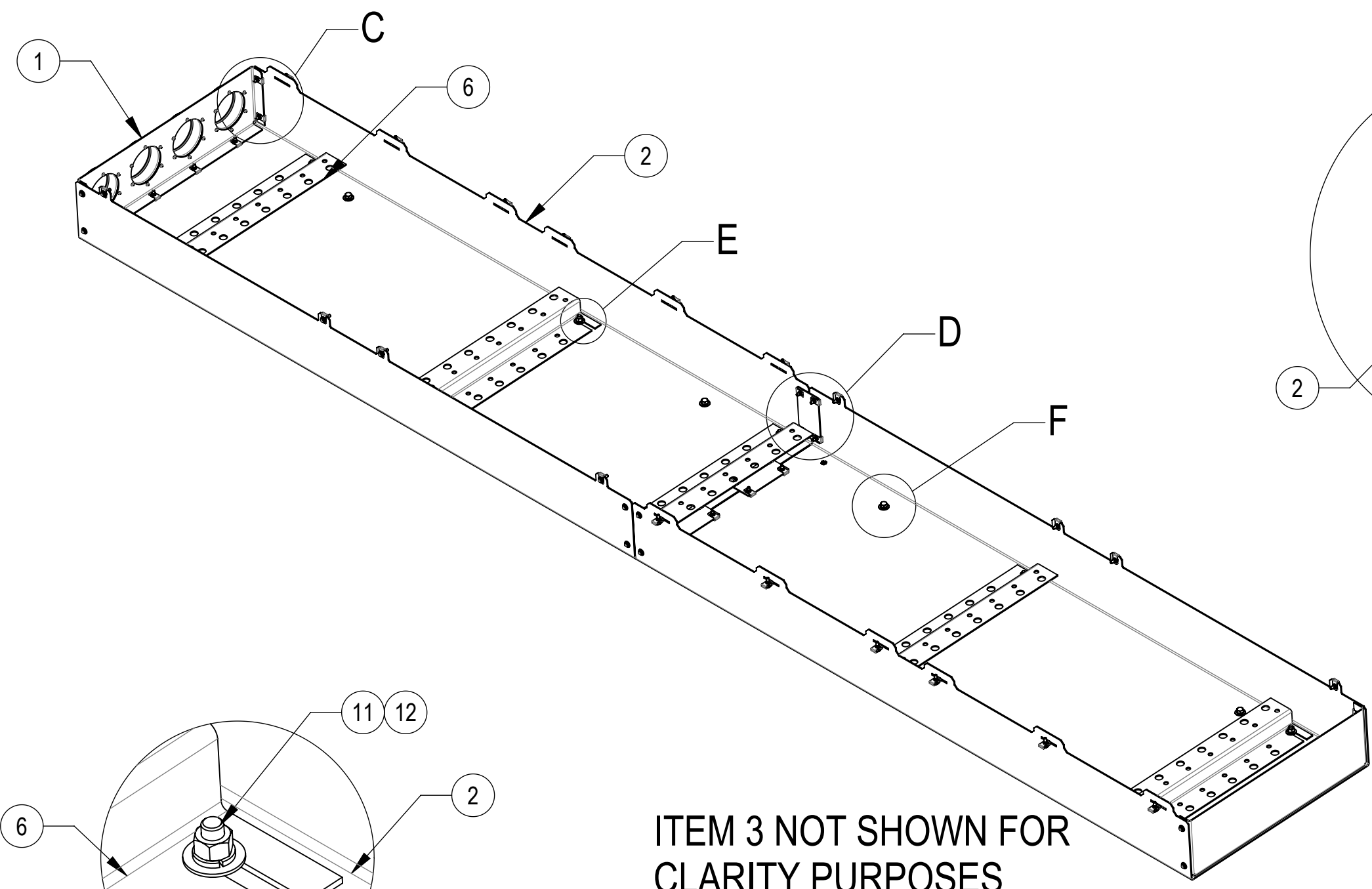
2

1

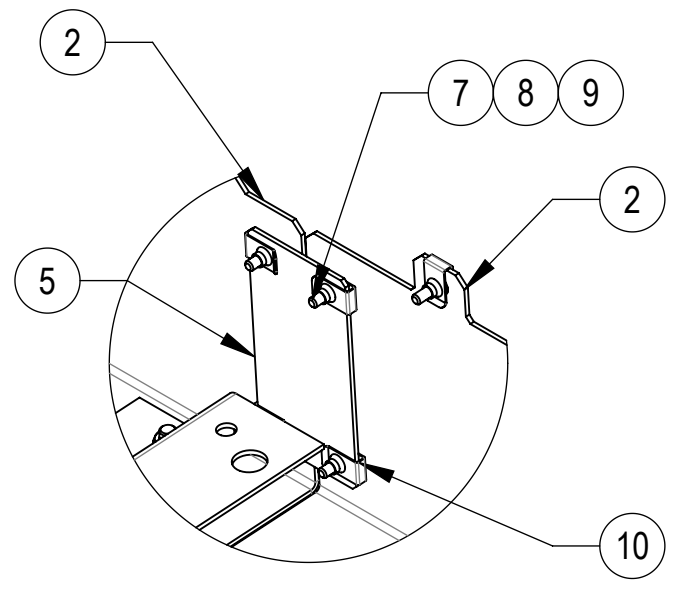
Ø .44 [11.1] TYP  
Ø .75 [19.1] TYP



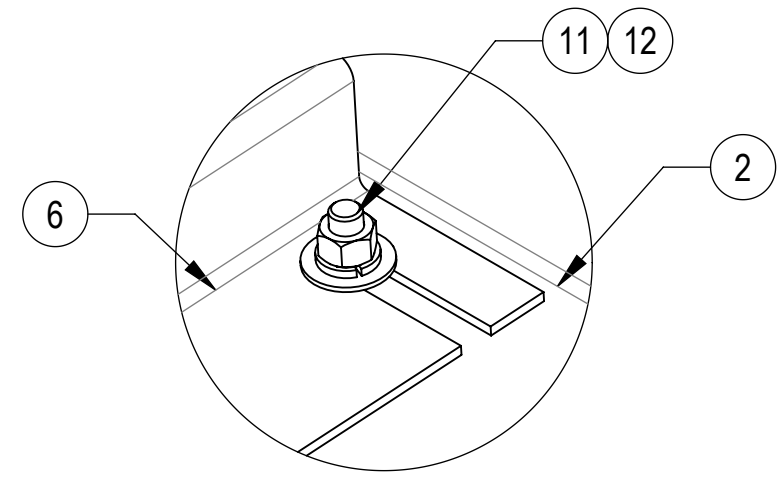
DETAIL C  
SCALE 1 : 4



DETAIL F  
SCALE 1 : 2



DETAIL D  
SCALE 1 : 4



DETAIL E  
SCALE 1 : 2

ITEM 3 NOT SHOWN FOR CLARITY PURPOSES

COMMSCOPE, INC. OF NORTH CAROLINA				
TITLE CABLE CHASE, ASSEMBLY, 12.5'				
SIZE C	SCALE 1:16	DOCUMENT NO. MT-F1546		
		DRAWING		SHEET 3 OF 3
		VERSION 00	STATUS RE	

4

3

2

1