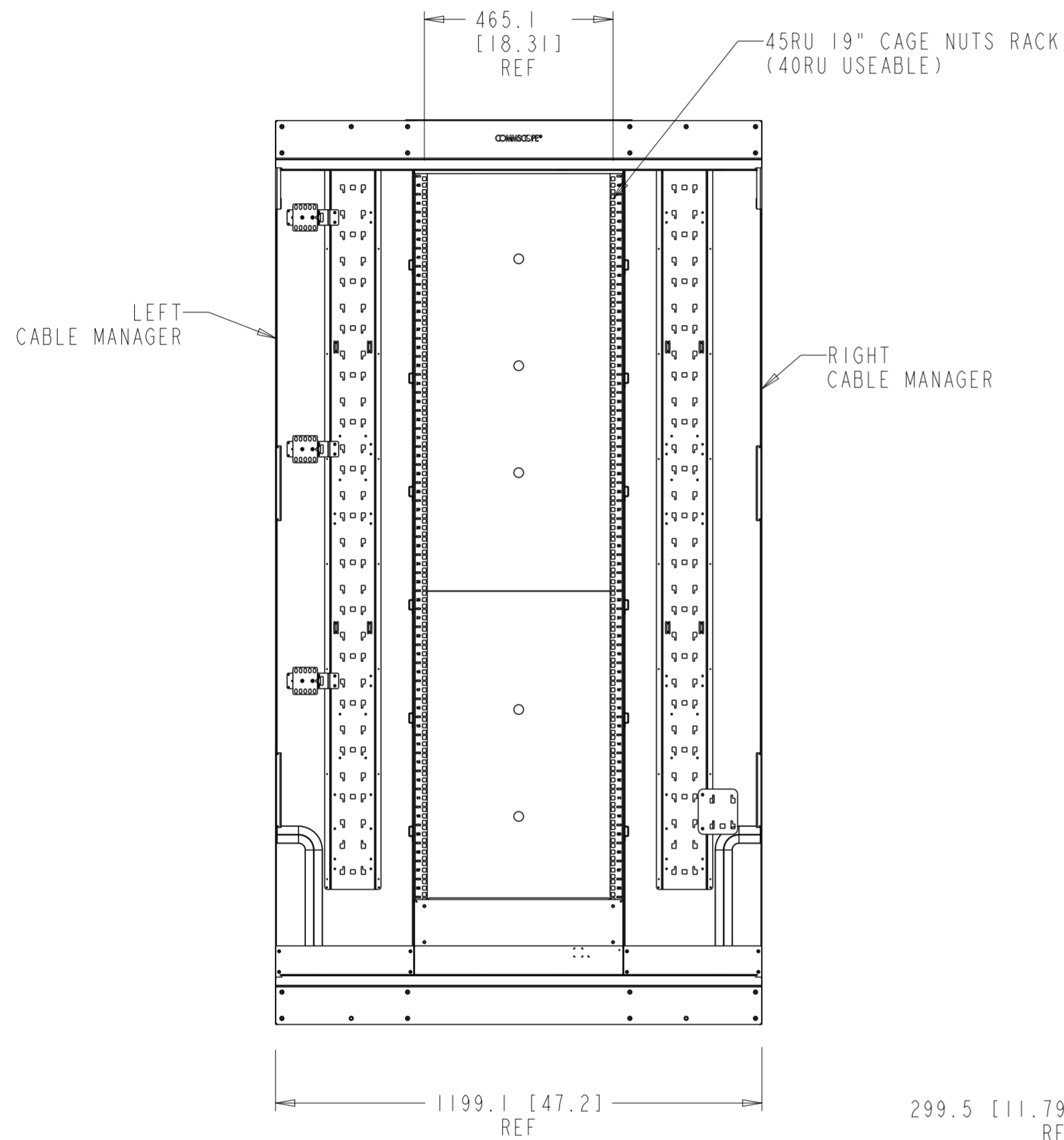
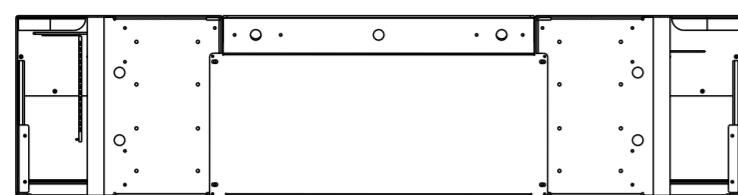


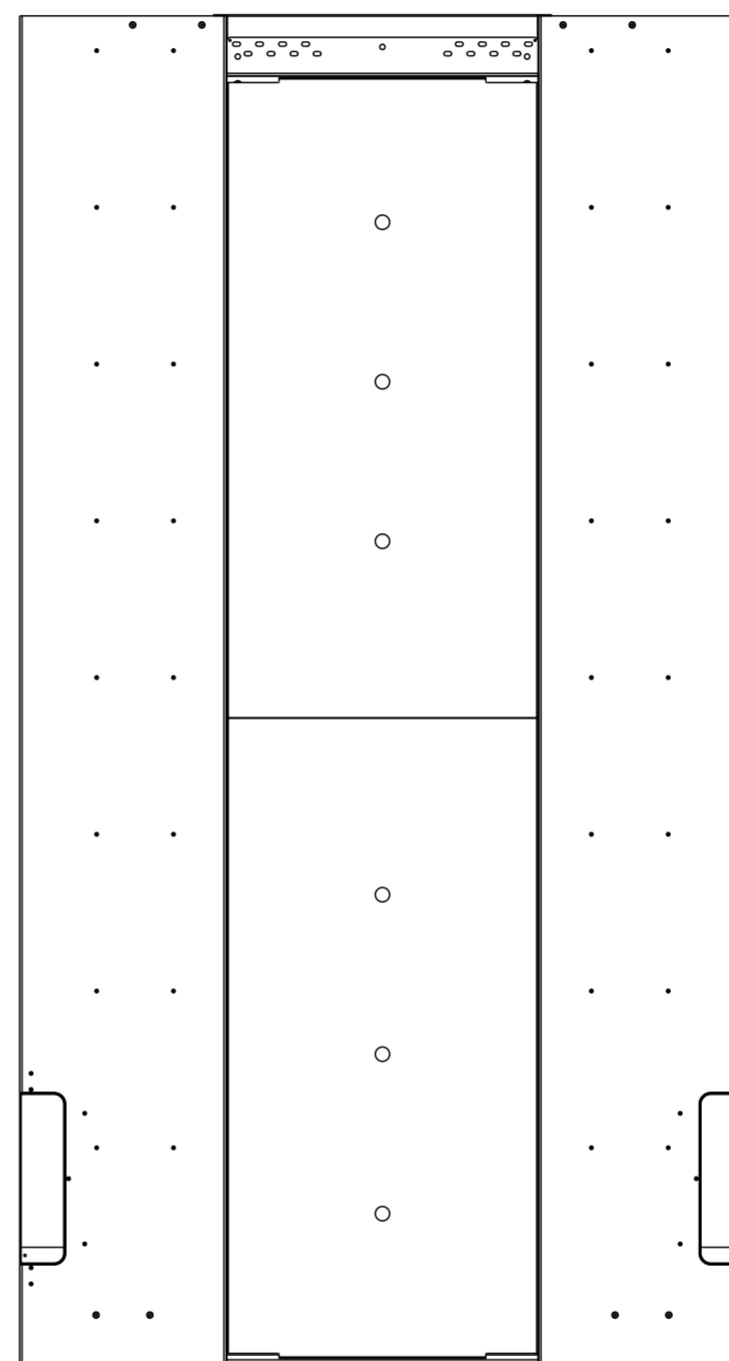
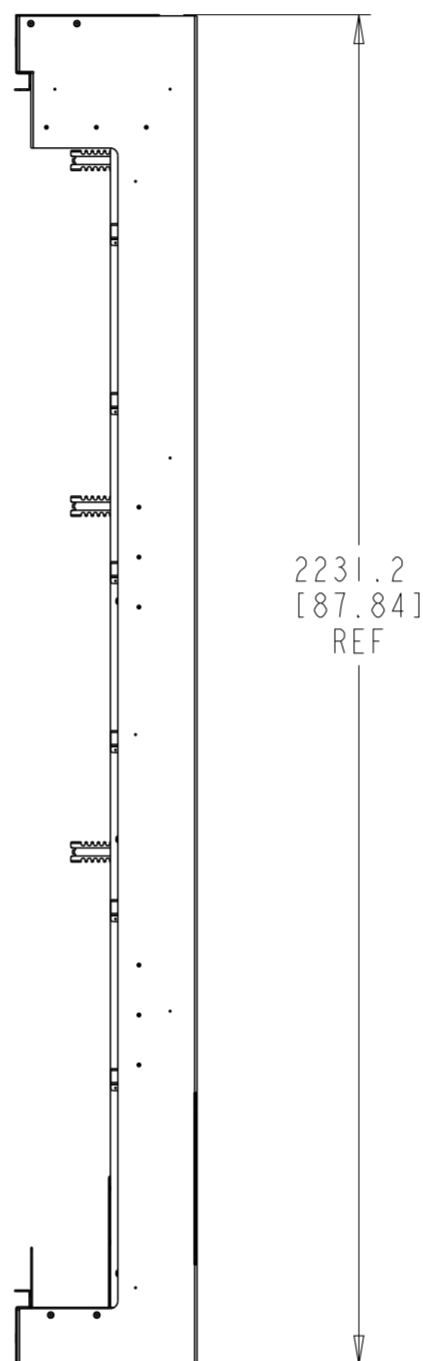
PROPEL FRAME INSTALLATION DRAWING

IMPORTANT: READ ENTIRE DOCUMENT BEFORE INSTALLATION!

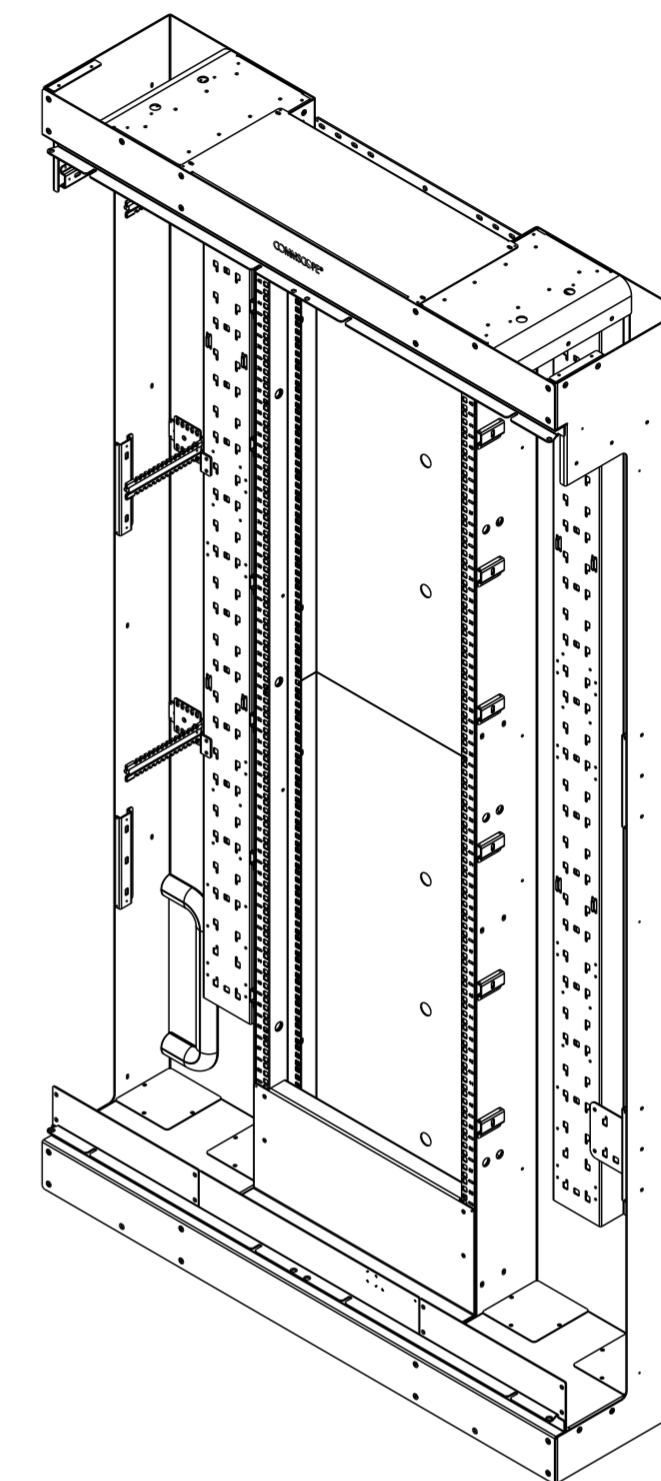
| REVISIONS | | | |
|-----------|-------------|-----------|----------|
| REV | CMO | DATE | APPROVED |
| A | 40197194CMO | 21-NOV-24 | |



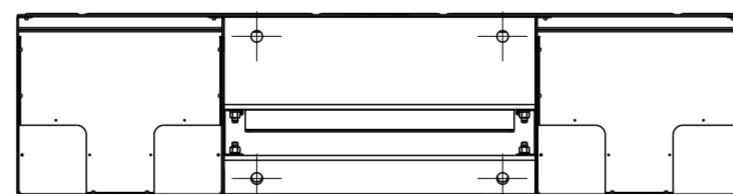
FRONT VIEW



BACK VIEW



OPTIONAL DOORS NOT SHOWN



BOTTOM VIEW

NOTES:

1. DIMENSIONS ARE IN MILLIMETERS. DIMENSIONS IN [] ARE INCHES.

© 2024 CommScope, Inc. Confidential
 NOTICE: These drawings and specifications are the proprietary property of COMMSCOPE, INC. and may be used only for the specific purpose authorized in writing by COMMSCOPE, INC.

| COMMSCOPE, INC. | | | | | | | | | |
|--|-----------------|--|-------------|-------------------------------|---------------------|--------------|--------|----------|--------|
| TOLERANCES | | | | | SAP MATERIAL MASTER | | | | |
| N/A | | | | | | | | | |
| FINISH | | | | | MATERIAL | | | | |
| N/A | | | | | N/A | | | | |
| UNLESS OTHERWISE SPECIFIED DIMENSIONS ARE IN MILLIMETERS | DRAFTER | | | TITLE | | | | | |
| | R. SCHOENFELDER | | | INSTALL DRAWING, PPL-FRAME-KT | | | | | |
| | CHECKER | | | SIZE | SCALE | DOCUMENT NO. | | | |
| | J. ANDERSON | | | A2 | 0.080 | 660106315 | | | |
| CMO | | | 40197194CMO | | | | | | |
| ALL SURFACES | AUTH GRP: ISPF | | MODEL | | | DRAWING | | | SHEET |
| ✓ | [Symbol] | | VERSION | STATUS | REVISION | VERSION | STATUS | REVISION | 1 OF 9 |
| | | | 01 | | | 01 | RE | A | |

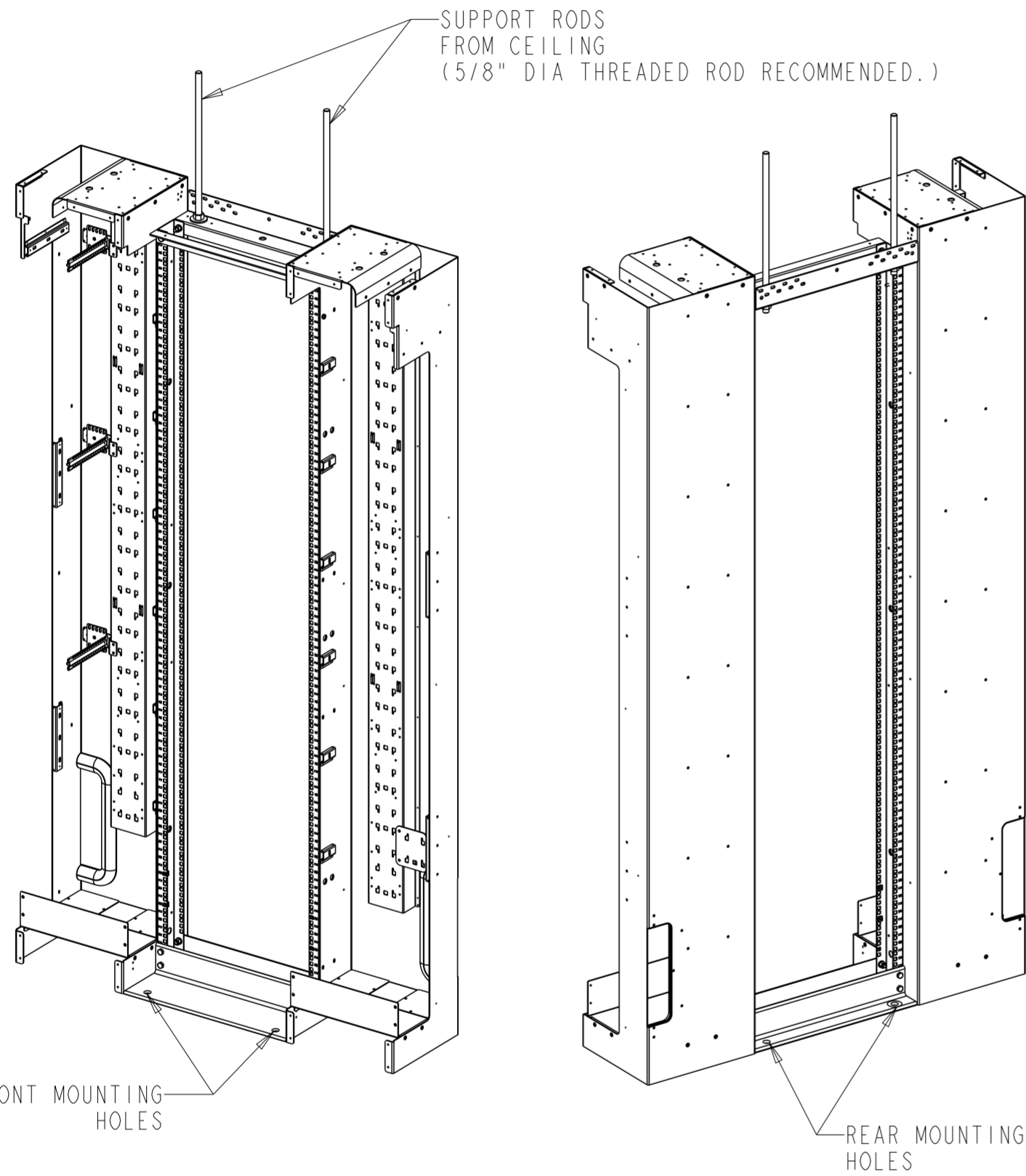
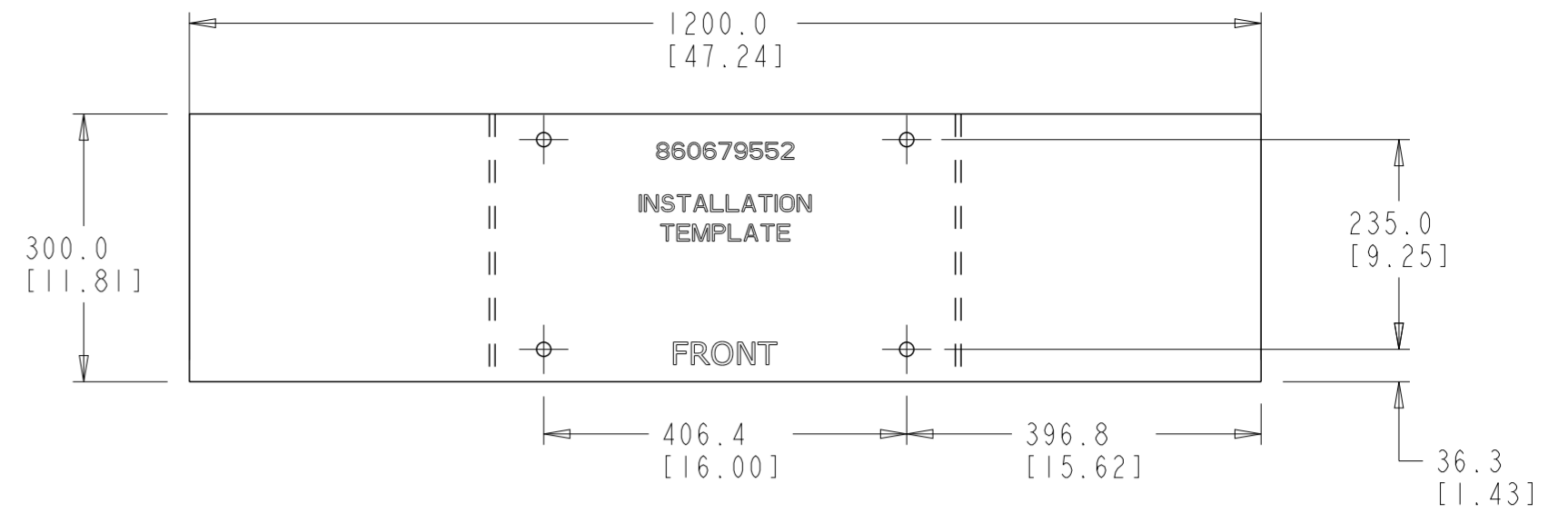
INSTALLATION OVERVIEW



SAFETY WARNING: FRAME/RACK IS UNSTABLE UNTIL MOUNTED TO FLOOR OR WALL. SUPPORT AS NEEDED UNTIL FULLY INSTALLED.

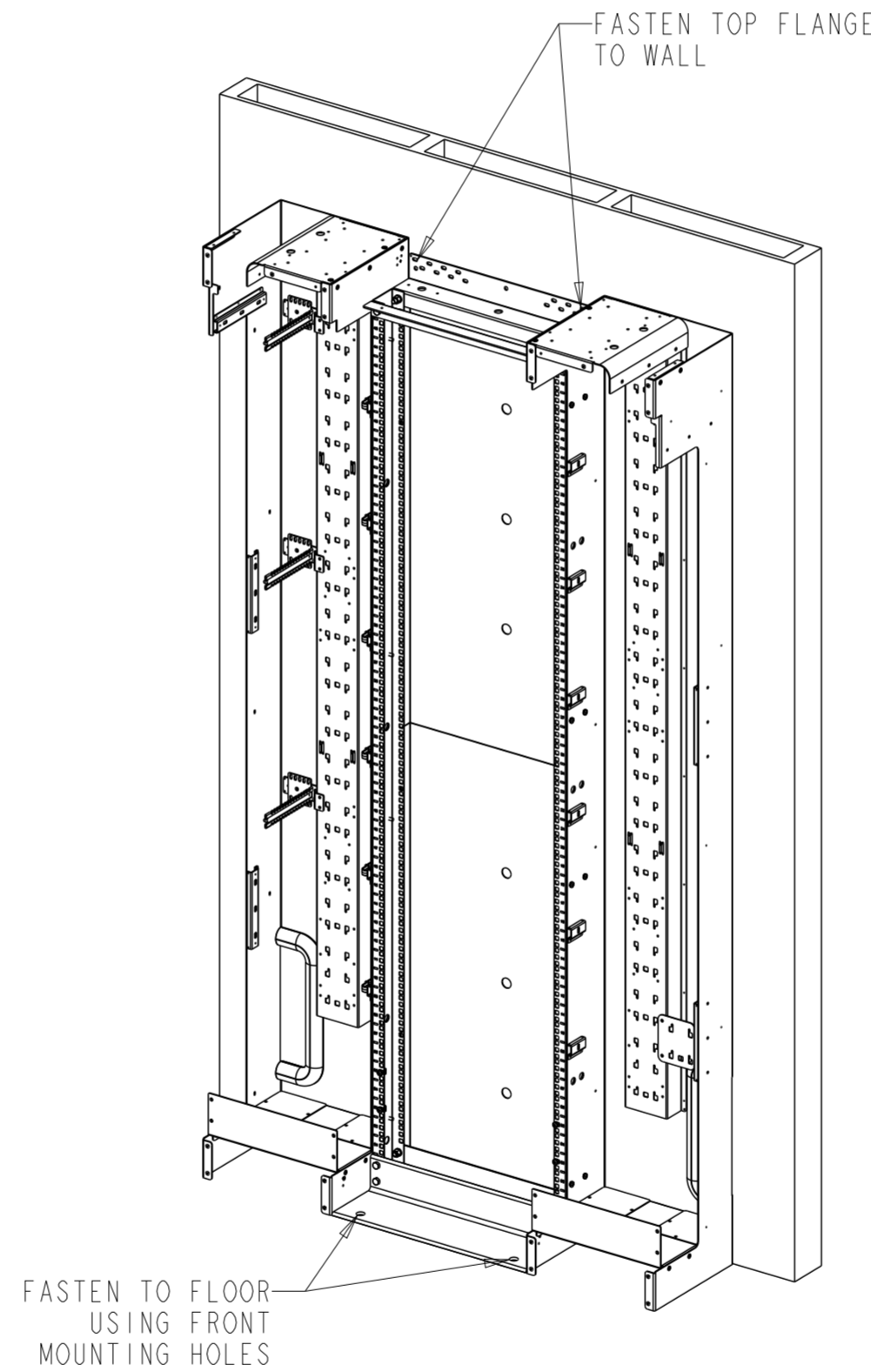
INSTALLATION TEMPLATE PROVIDED FOR POSITIONING FLOOR MOUNTING LOCATIONS. DRILL FLOOR HOLES BEFORE MOVING FRAME INTO PLACE.

COMPLETE ASSEMBLY STEPS AS NOTED BEFORE FASTENING TO FLOOR/WALL.



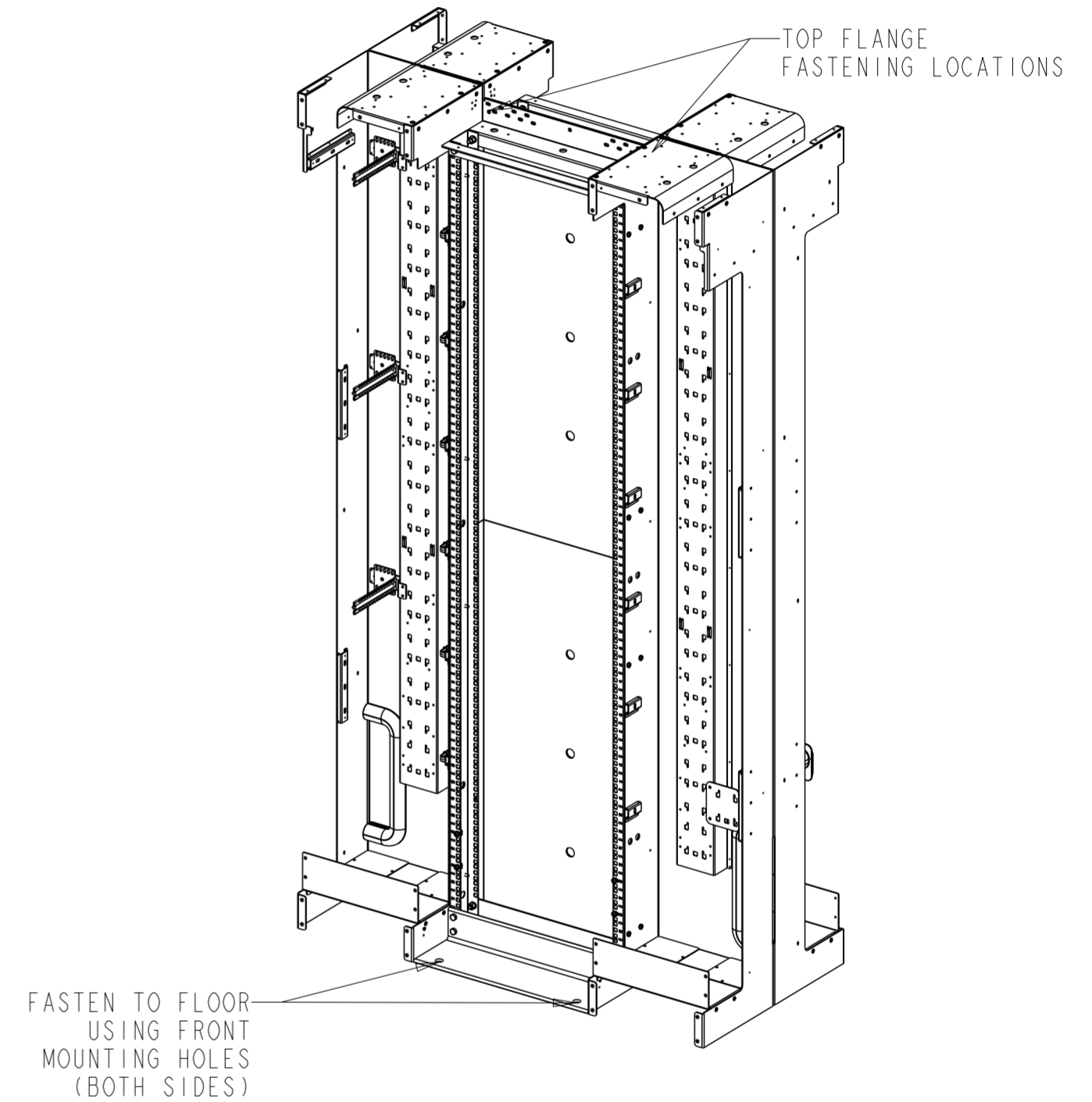
STAND ALONE FRAME MOUNTING
MOUNT TO FLOOR AFTER STEP 2

ADD SUPPORT RODS FROM CEILING FOR INCREASED STABILITY.
USE FLOOR FASTENERS IN FRONT AND REAR MOUNTING HOLES (4 TOTAL)
ASSEMBLE REAR COVERS (STEP 3) AFTER FLOOR MOUNTING.



WALL MOUNTING FRAME
MOUNT TO FLOOR AFTER STEP 3

USE 2 FRONT OR ALL 4 FLOOR MOUNTING FASTENERS
FASTEN RACK TOP SECURELY TO WALL.
FASTEN TO ONE OR MORE WALL STUDS.
(TOP FLANGE TO WALL FASTENERS NOT PROVIDED.)



BACK TO BACK FRAME MOUNTING
MOUNT TO FLOOR AFTER STEP 3

USE FLOOR FASTENERS IN FRONT MOUNTING HOLES, BOTH SIDES. (4 TOTAL)

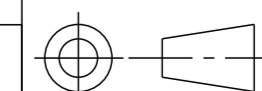
FASTEN RACK TOP FLANGES TOGETHER USING
2 SETS OF 5/16" HEX HEAD BOLTS, WASHERS, LOCK WASHERS AND NUTS
(FASTENERS NOT PROVIDED.)

COMMSCOPE, INC.

| | | | |
|-------------------------------|--------|--------------|--------|
| TITLE | | | |
| INSTALL DRAWING, PPL-FRAME-KT | | | |
| SIZE | SCALE | DOCUMENT NO. | |
| A2 | 0.070 | 660106315 | |
| DRAWING | | | SHEET |
| VERSION | STATUS | REVISION | 2 OF 9 |
| 01 | RE | A | |

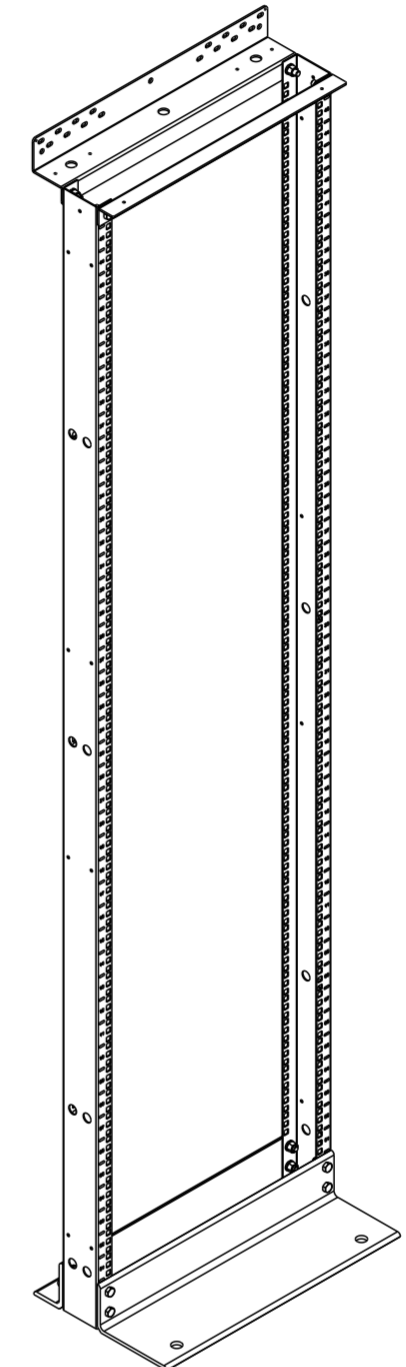
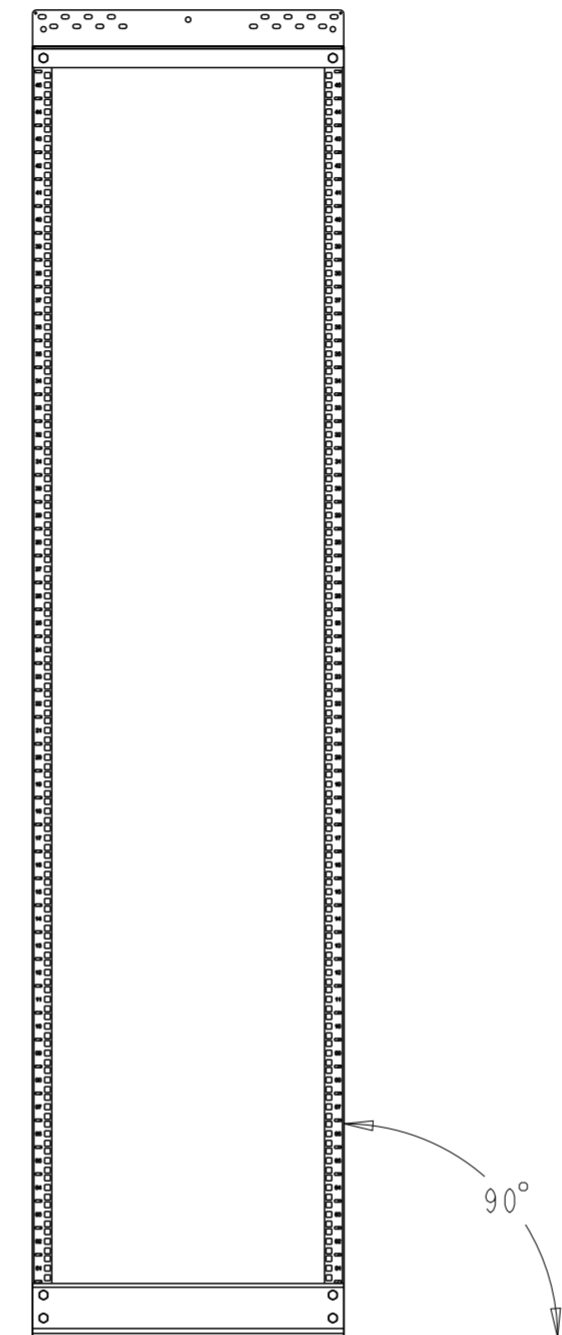
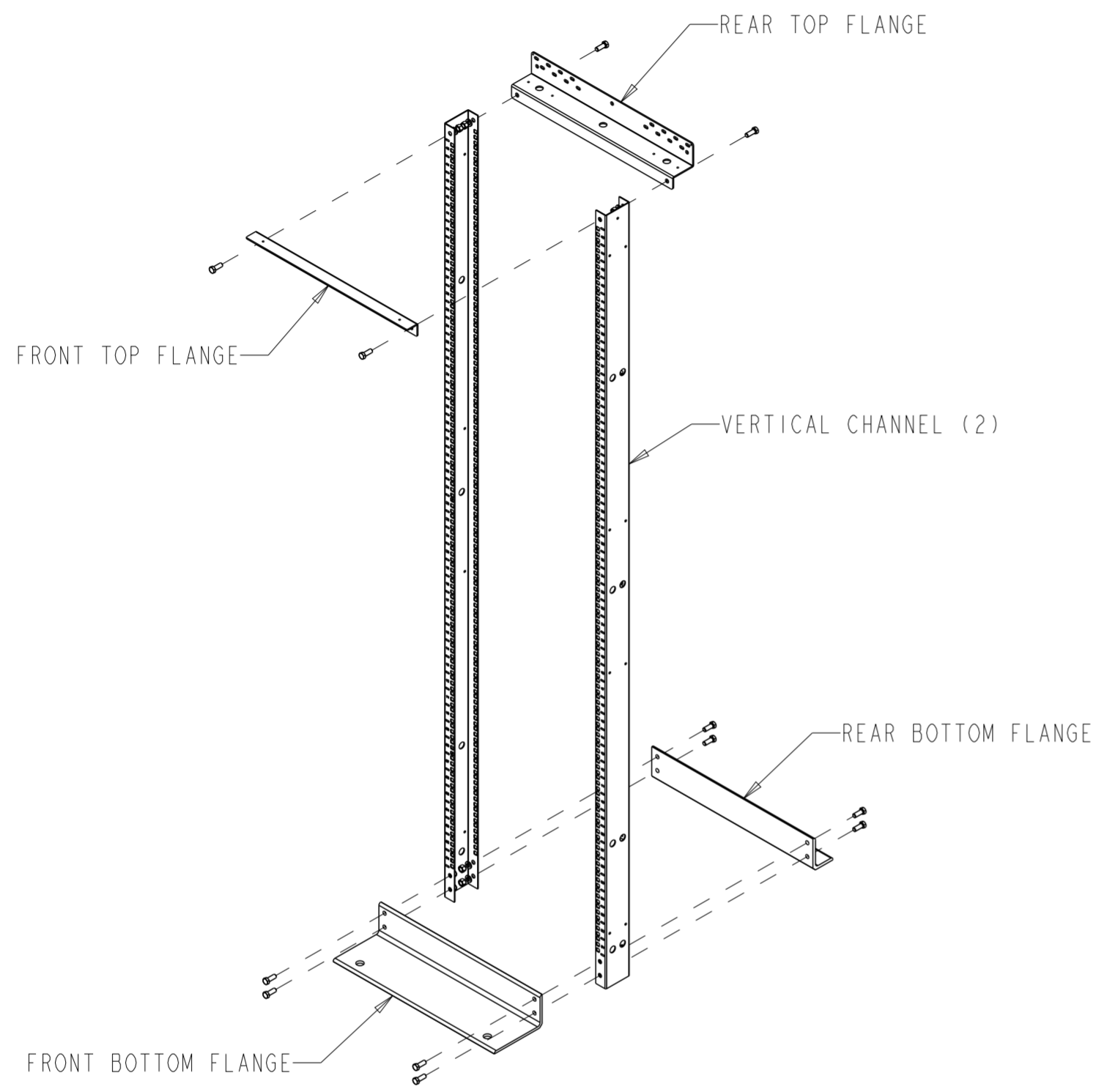
© 2024 CommScope, Inc. Confidential

NOTICE: These drawings and specifications are the proprietary property of COMMSCOPE, INC. and may be used only for the specific purpose authorized in writing by COMMSCOPE, INC.



A
B
C
D
E
F
G
H

A
B
C
D
E
F
G
H



USE SQUARE TO ALIGN RACK COMPONENTS.

STEP 1

ASSEMBLE RACK

USE SUPPLIED BOLTS, LOCK WASHERS AND NUTS IN RACK PACKAGE.
START ALL FASTENERS AND USE SQUARE TO ALIGN UPRIGHTS BEFORE TIGHTENING.

ANCHOR BOLTS/WASHERS FOR ASSEMBLING RACK TO FLOOR ARE SUPPLIED IN FRAME ACCESSORIES BOX.
FLOOR INSTALLATION TEMPLATE IS PROVIDED.

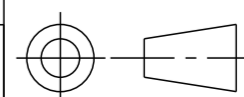
RACK TOP SUPPORT OPTIONS:

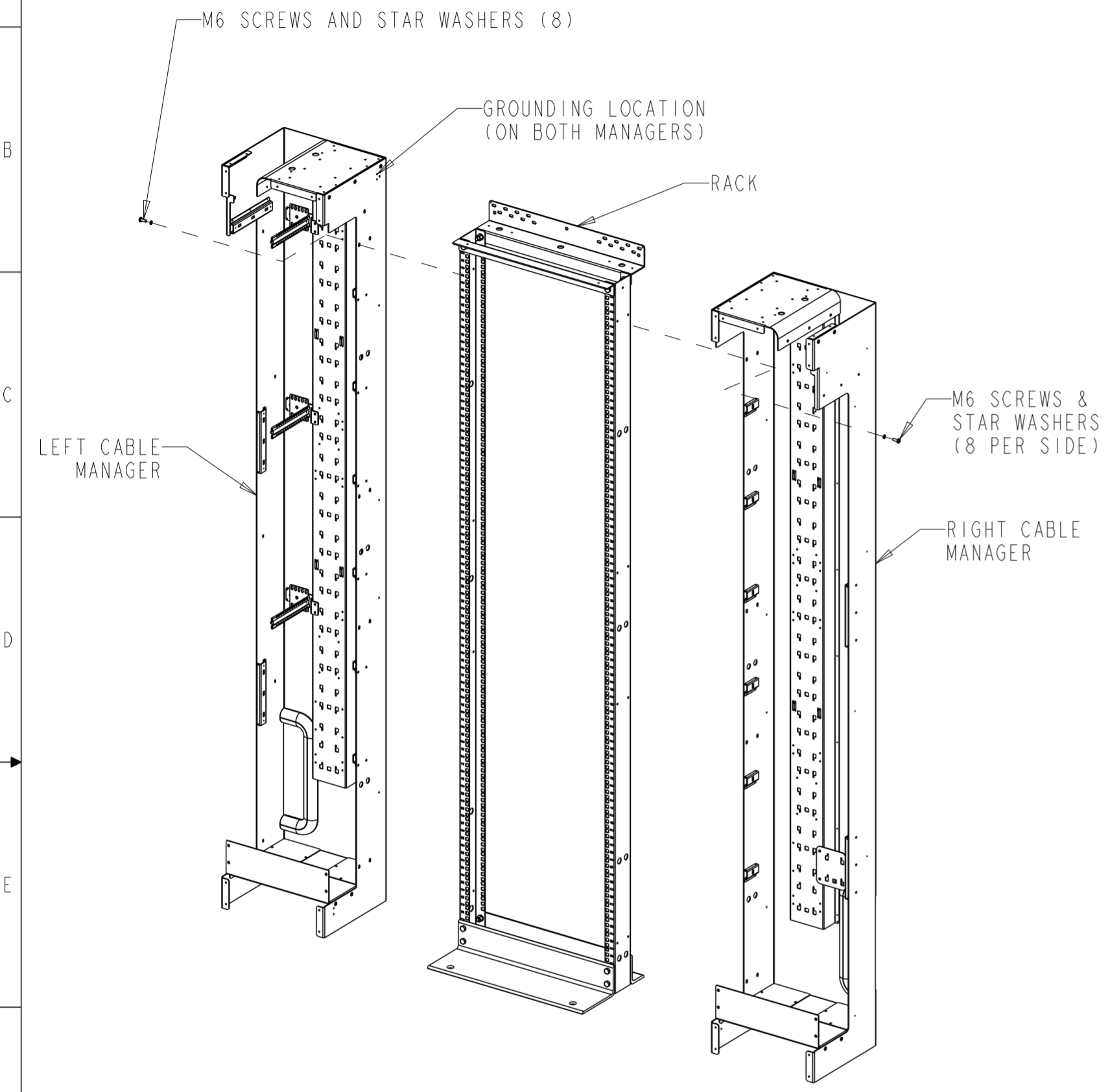
THE RACK TOP NEEDS TO BE SUPPORTED.
SEE NOTES ON SHEET 2.

© 2024 CommScope, Inc. Confidential

NOTICE: These drawings and specifications are the proprietary property of COMMScope, INC. and may be used only for the specific purpose authorized in writing by COMMScope, INC.

| | | | |
|-------------------------------|--------|------------------|--------|
| COMMScope, INC. | | | |
| TITLE | | | |
| INSTALL DRAWING, PPL-FRAME-KT | | | |
| SIZE | SCALE | DOCUMENT NO. | |
| A2 | 0.080 | 660106315 | |
| DRAWING | | | SHEET |
| VERSION | STATUS | REVISION | 3 OF 9 |
| 01 | RE | A | |

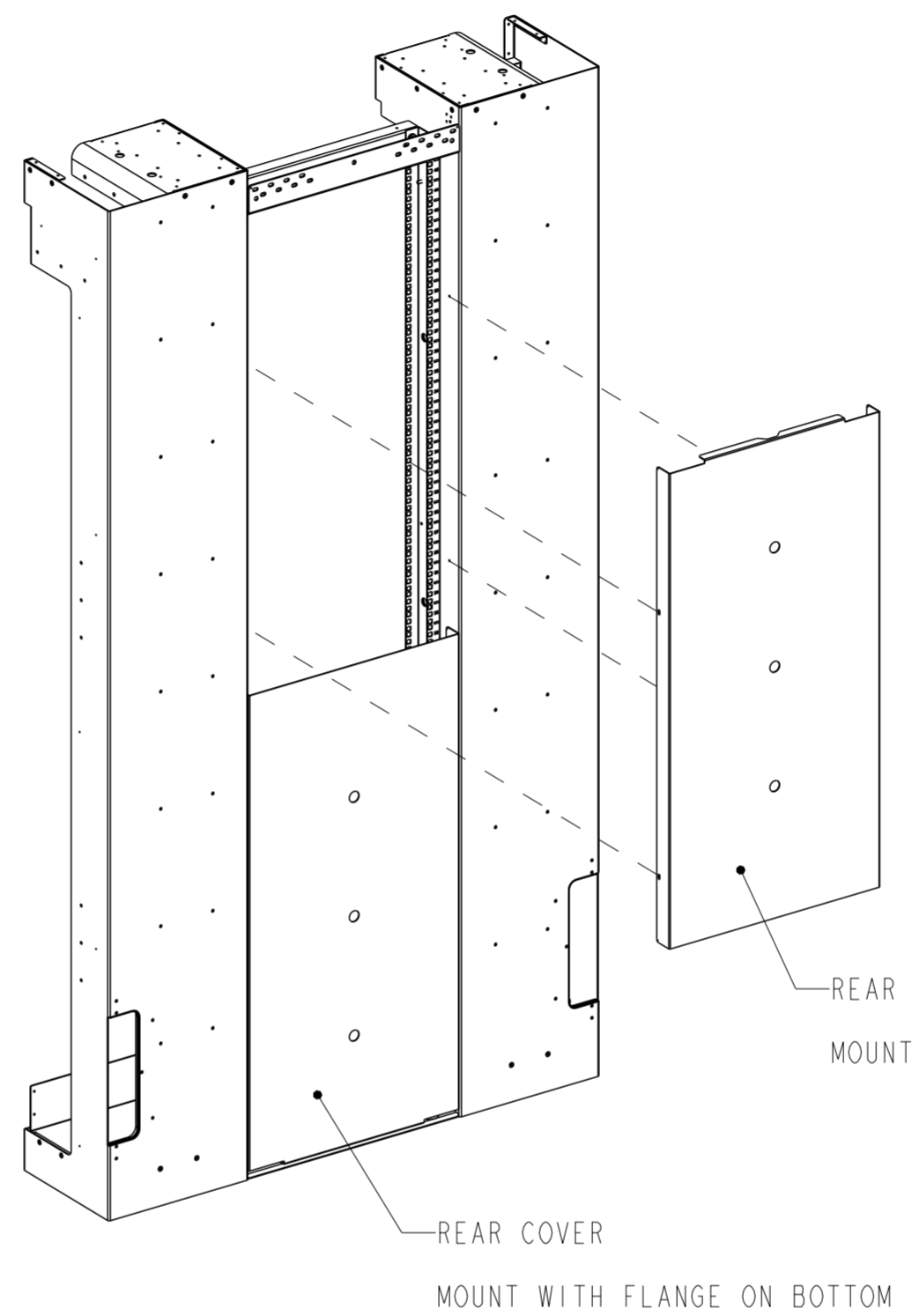




STEP 2

ASSEMBLE SIDE MANAGERS TO RACK

USE PROVIDED M6 SCREWS AND STAR WASHERS. START ALL FASTENERS AND ALIGN SIDE MANAGERS BEFORE TIGHTENING



STEP 3

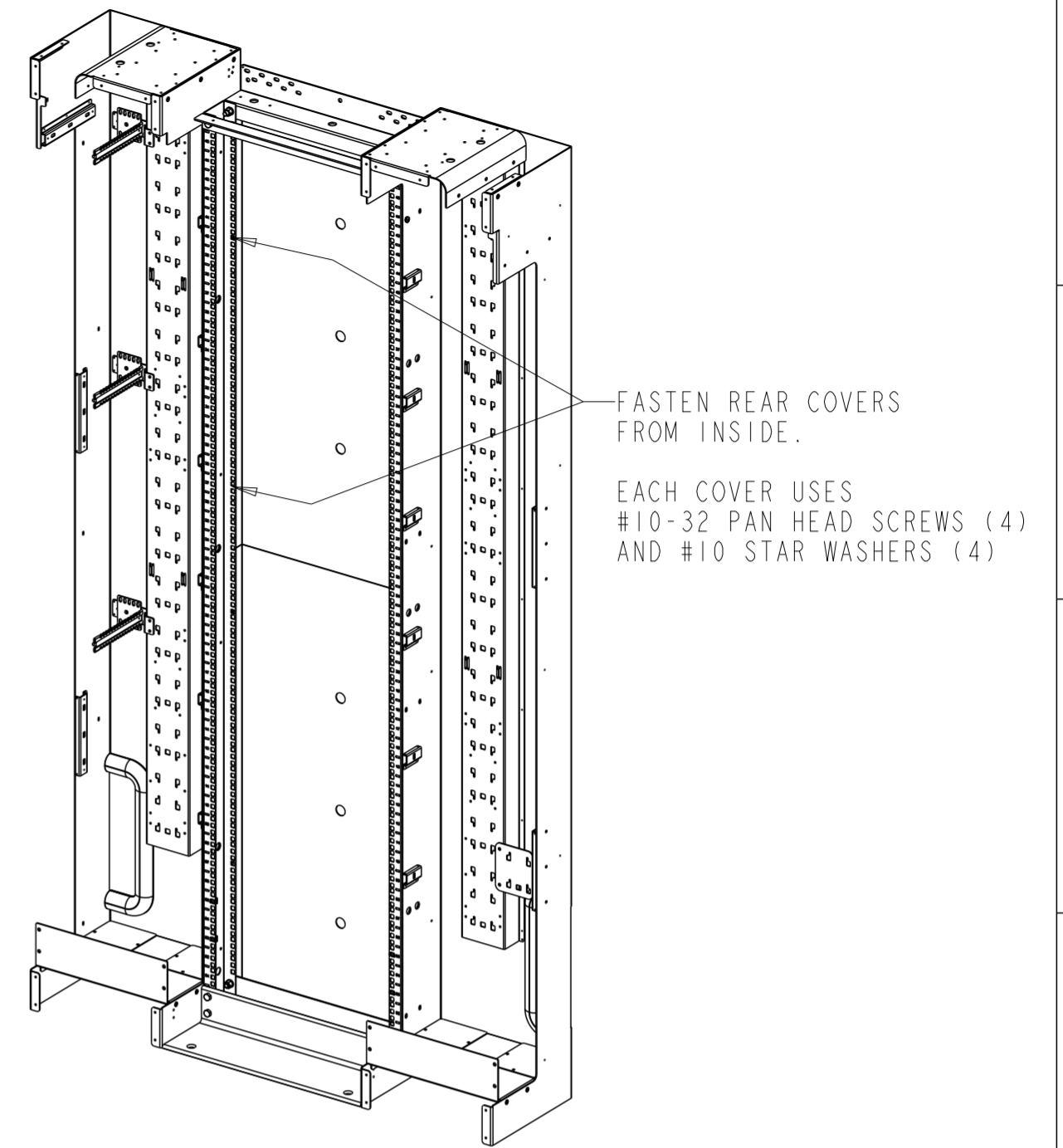
ASSEMBLE REAR COVERS

REAR COVERS ASSEMBLE FROM REAR & FASTEN FROM FRONT.

START ALL FASTENERS AND ALIGN COVERS BEFORE TIGHTENING.

IMPORTANT!: REAR COVERS CANNOT BE ASSEMBLED OR REMOVED WITH PANELS INSTALLED.

REAR COVERS CANNOT BE ASSEMBLED AFTER FRAMES ARE PLACED BACK TO BACK OR AGAINST A WALL.



FASTEN REAR COVERS FROM INSIDE.
EACH COVER USES #10-32 PAN HEAD SCREWS (4) AND #10 STAR WASHERS (4)

REAR COVER
MOUNT WITH FLANGE ON TOP

REAR COVER
MOUNT WITH FLANGE ON BOTTOM

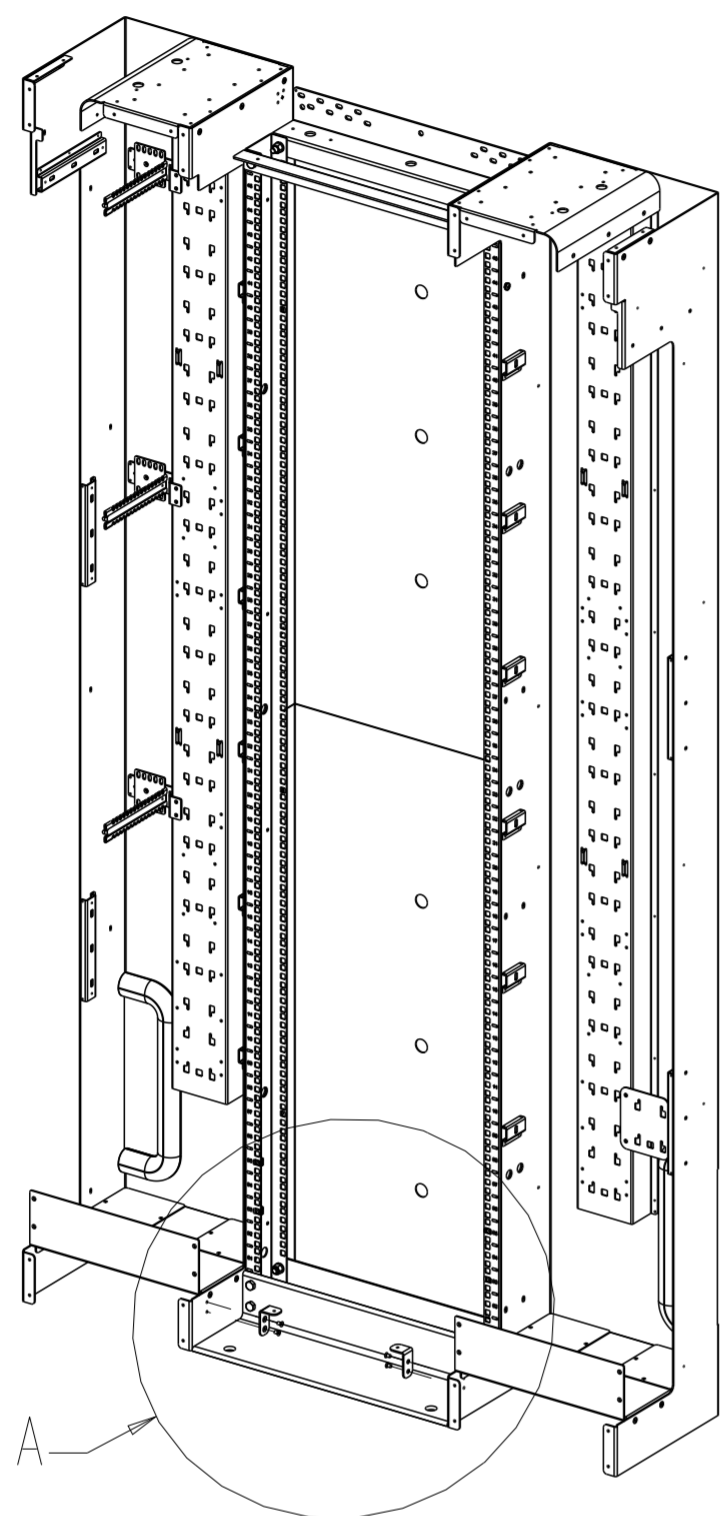
COMMSCOPE, INC.

| | | |
|-------------------------------|--|--|
| TITLE | | |
| INSTALL DRAWING, PPL-FRAME-KT | | |

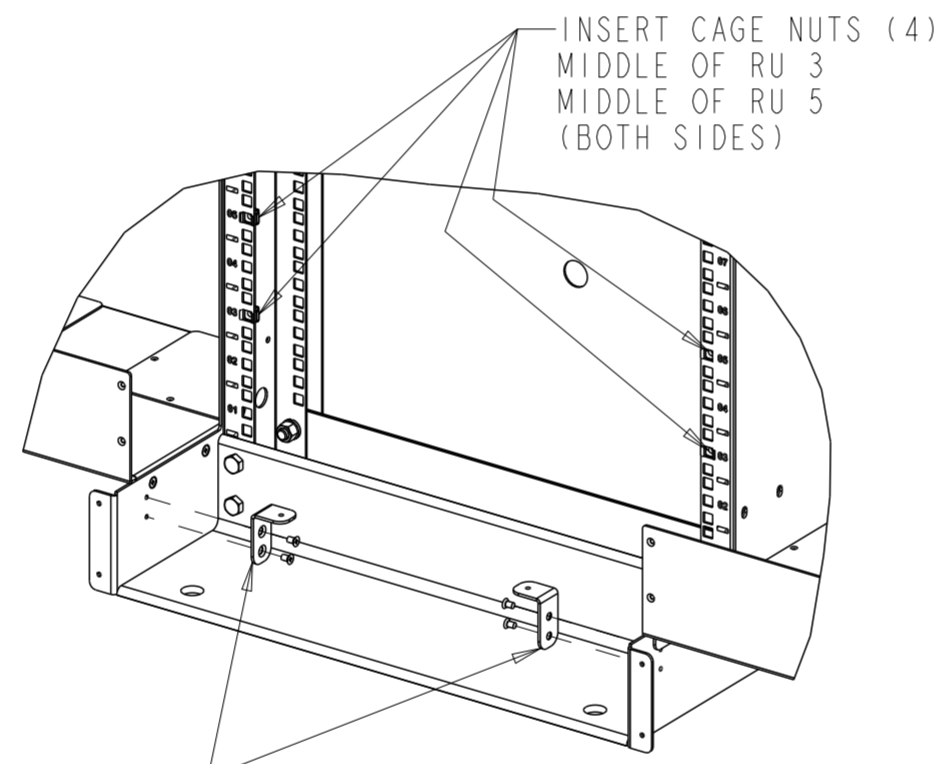
| | | |
|------|-------|--------------|
| SIZE | SCALE | DOCUMENT NO. |
| A2 | 0.075 | 660106315 |

| | | | |
|---------|--------|----------|-----------------|
| DRAWING | | | SHEET 4 OF 9 |
| VERSION | STATUS | REVISION | |
| 01 | RE | A | |

© 2024 CommScope, Inc. Confidential
NOTICE: These drawings and specifications are the proprietary property of COMMSCOPE, INC. and may be used only for the specific purpose authorized in writing by COMMSCOPE, INC.



SEE DETAIL A

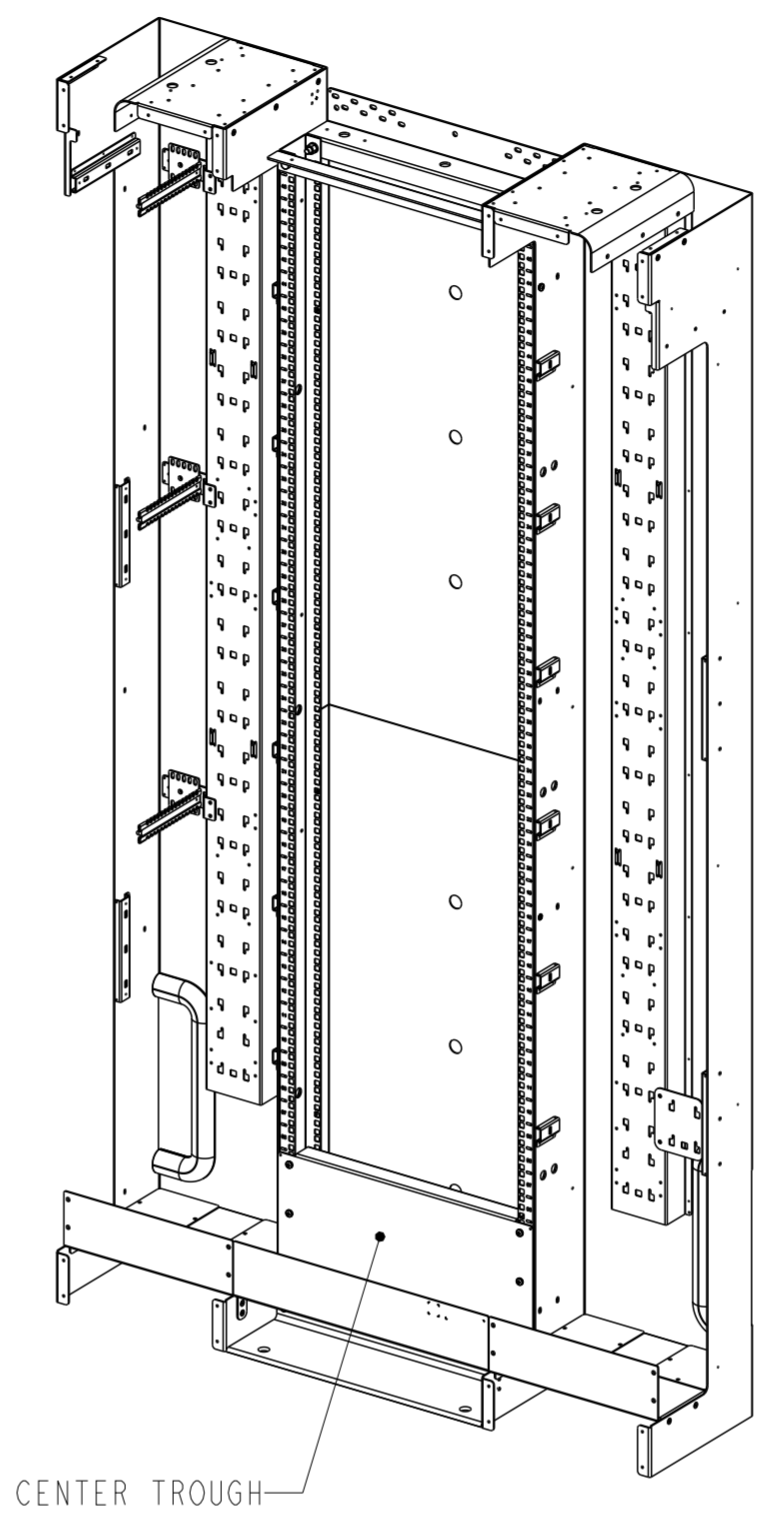


INSERT CAGE NUTS (4)
MIDDLE OF RU 3
MIDDLE OF RU 5
(BOTH SIDES)

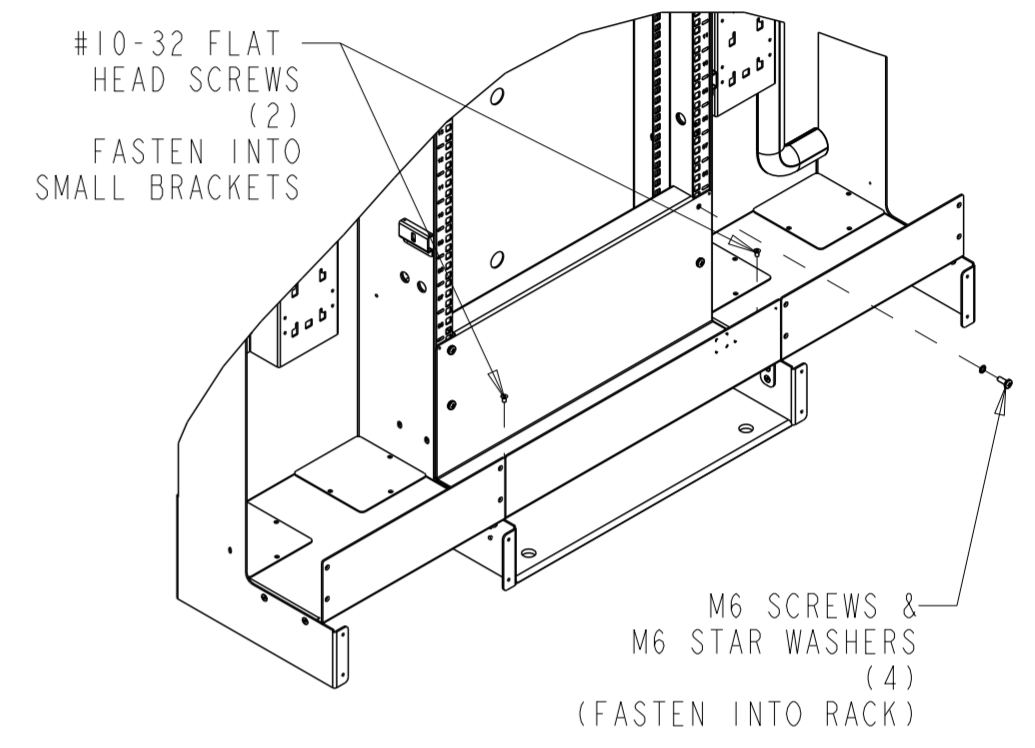
CENTER TROUGH BRACKETS (2)
USE #10-32 FLAT HEAD SCREWS (4)

DETAIL A
SCALE 0.16

STEP 4
ASSEMBLE CENTER TROUGH BRACKETS AND CAGE NUTS



CENTER TROUGH



#10-32 FLAT HEAD SCREWS (2)
FASTEN INTO SMALL BRACKETS

M6 SCREWS & M6 STAR WASHERS (4)
(FASTEN INTO RACK)

STEP 5

ASSEMBLE CENTER TROUGH

USE M6 x 1 SCREWS & STAR WASHERS (4)
FASTEN INTO CAGE NUTS.

USE #10-32 FLAT HEAD SCREWS (2)
FASTEN INTO CENTER TROUGH BRACKETS

COMMSCOPE, INC.

TITLE

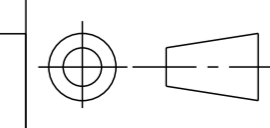
INSTALL DRAWING, PPL-FRAME-KT

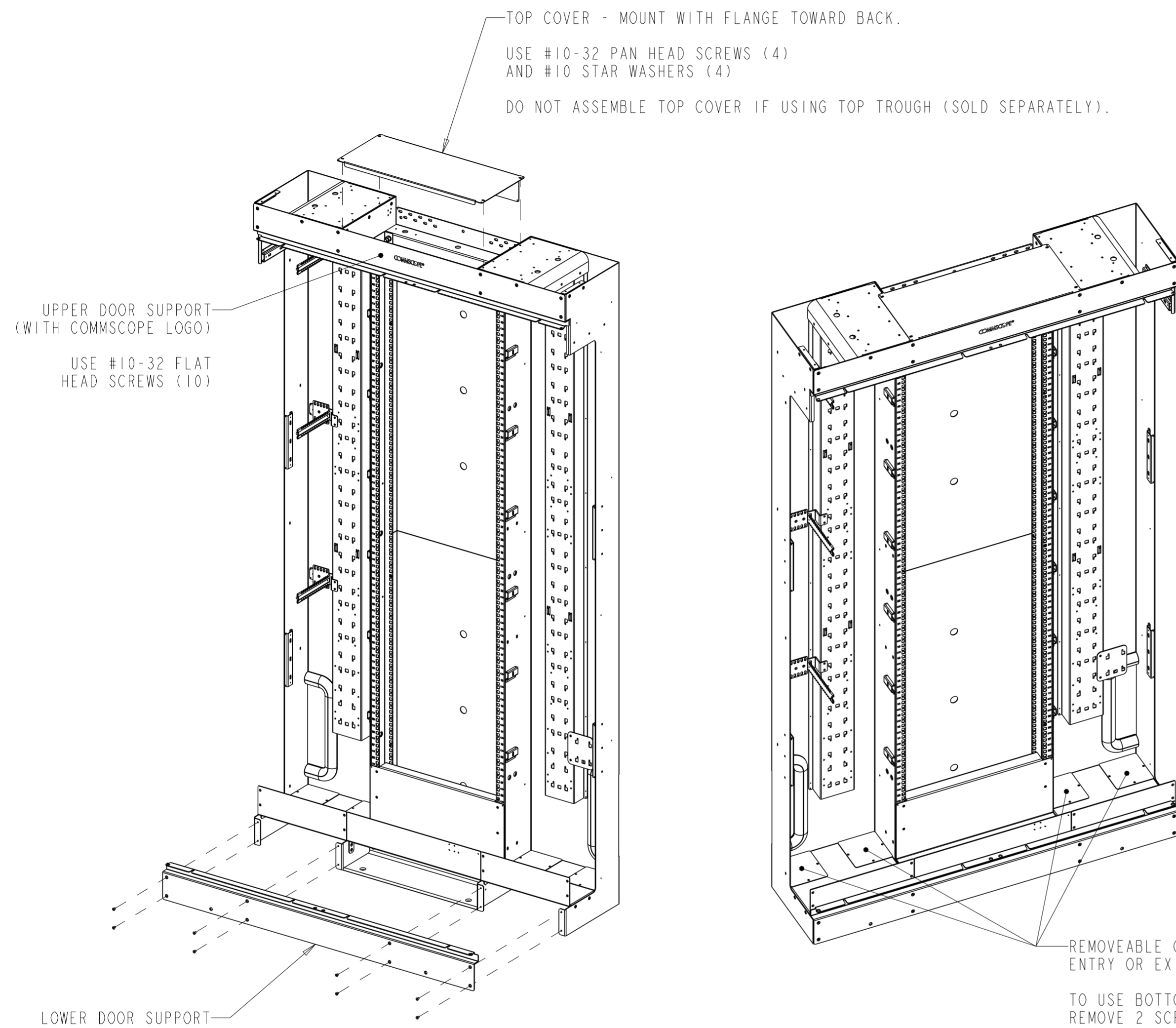
| | | |
|------|-------|--------------|
| SIZE | SCALE | DOCUMENT NO. |
| A2 | 0.080 | 660106315 |

| | | | |
|---------|--------|----------|-----------------|
| DRAWING | | | SHEET 5 OF 9 |
| VERSION | STATUS | REVISION | |
| 01 | RE | A | |

© 2024 CommScope, Inc. Confidential

NOTICE: These drawings and specifications are the proprietary property of COMMSCOPE, INC. and may be used only for the specific purpose authorized in writing by COMMSCOPE, INC.





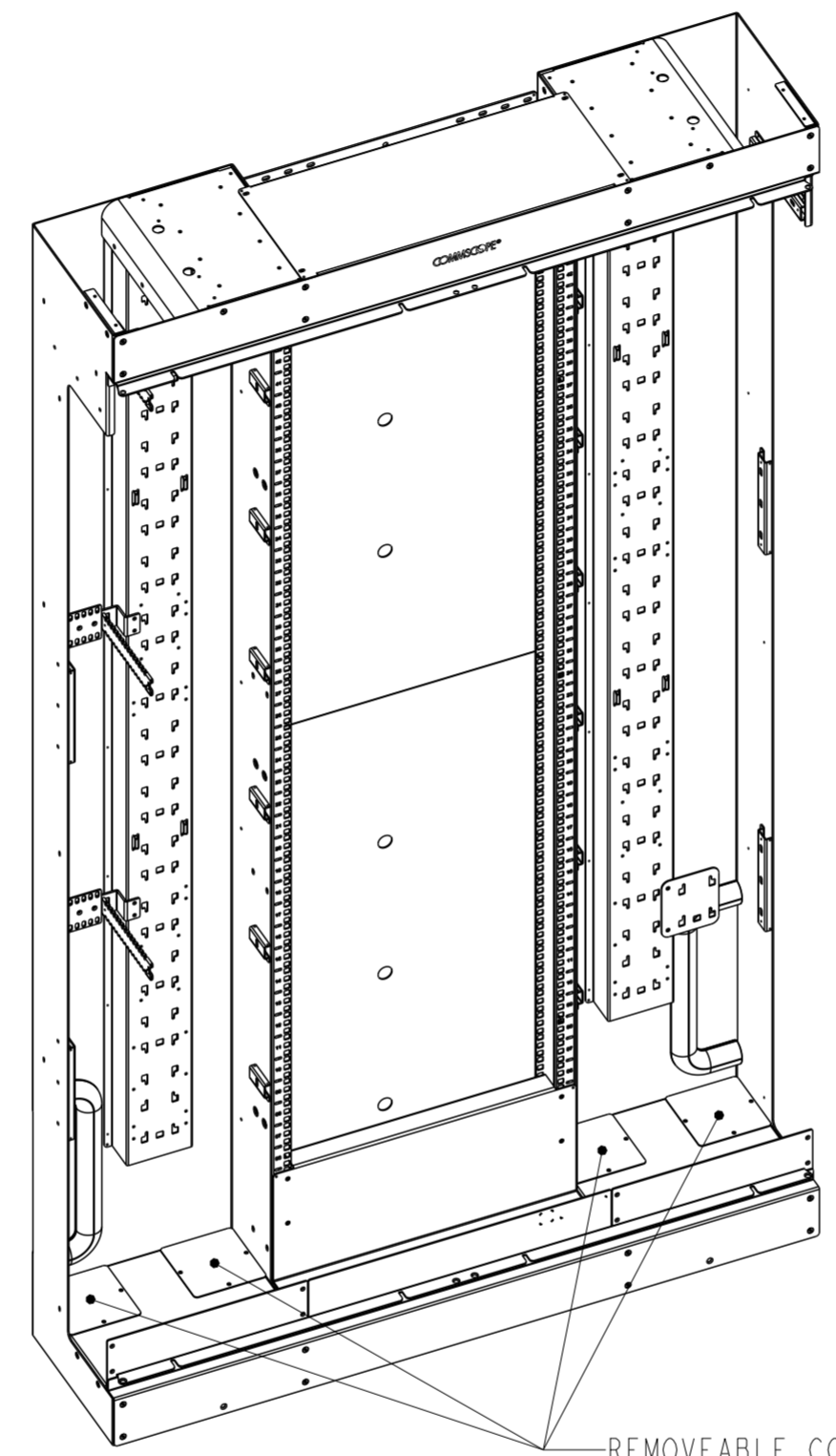
STEP 6

ASSEMBLE UPPER AND LOWER DOOR SUPPORTS

LOGO IS ON UPPER DOOR SUPPORT

ASSEMBLE TOP COVER
(DO NOT ASSEMBLE TOP COVER IF TOP TROUGH ACCESSORY WILL BE INSTALLED)

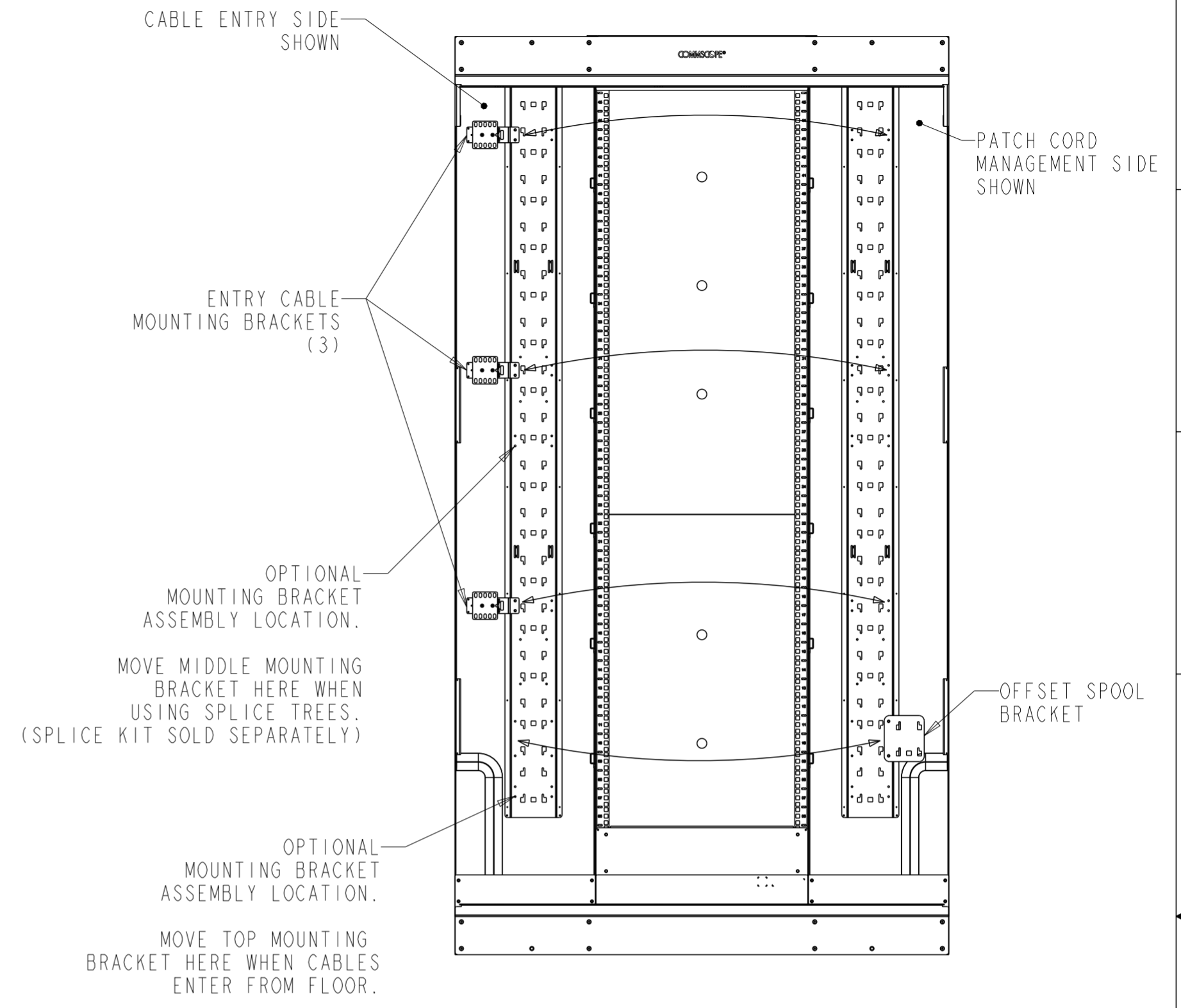
START ALL FASTENERS BEFORE TIGHTENING



FINISHED FRAME WITHOUT SIDE PANELS OR DOORS

STEP 7
(OPTIONAL)

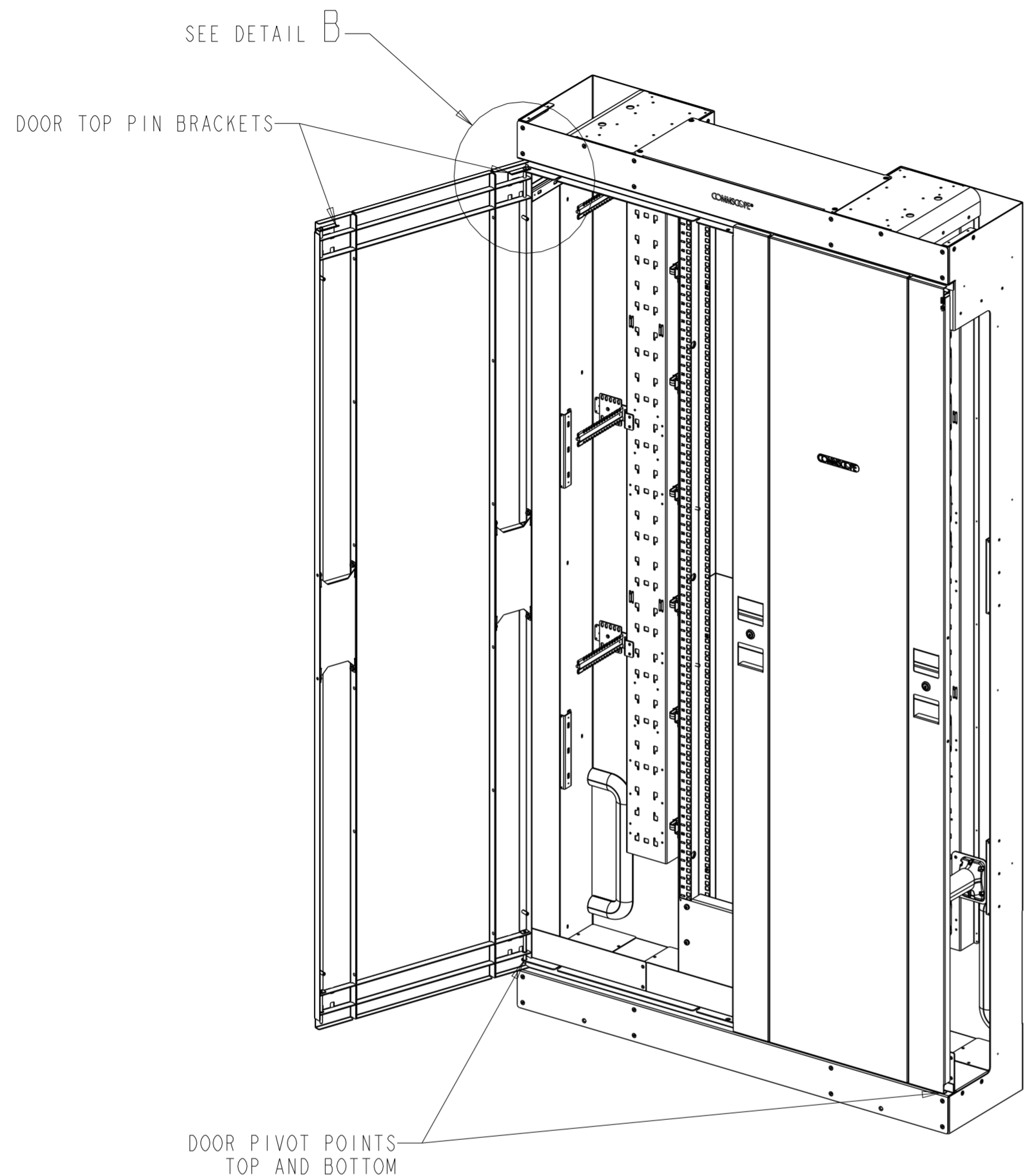
CONFIGURE CABLE ENTRY AND PATCH CORD MANAGEMENT SIDES



DETERMINE CABLE ENTRY SIDE AND PATCHING SIDE.
ENTRY CABLE AND OFFSET SPOOL BRACKETS ARE PRE-INSTALLED AS SHOWN BUT CAN BE REPOSITIONED (MIRRORED) ON EITHER SIDE.
IF NEEDED, REFER TO BEST PRACTICES SECTION OF ONLINE USER MANUAL FOR HELP DETERMINING BRACKET AND SPOOL LOCATIONS.
IF SWITCHING SIDES, REMOVE BRACKETS AND, RE-INSTALL IN MIRRORED LOCATION ON OPPOSITE SIDE.
REUSE BRACKET FASTENERS:
#10-32 PAN HEAD SCREWS & #10 STAR WASHERS.

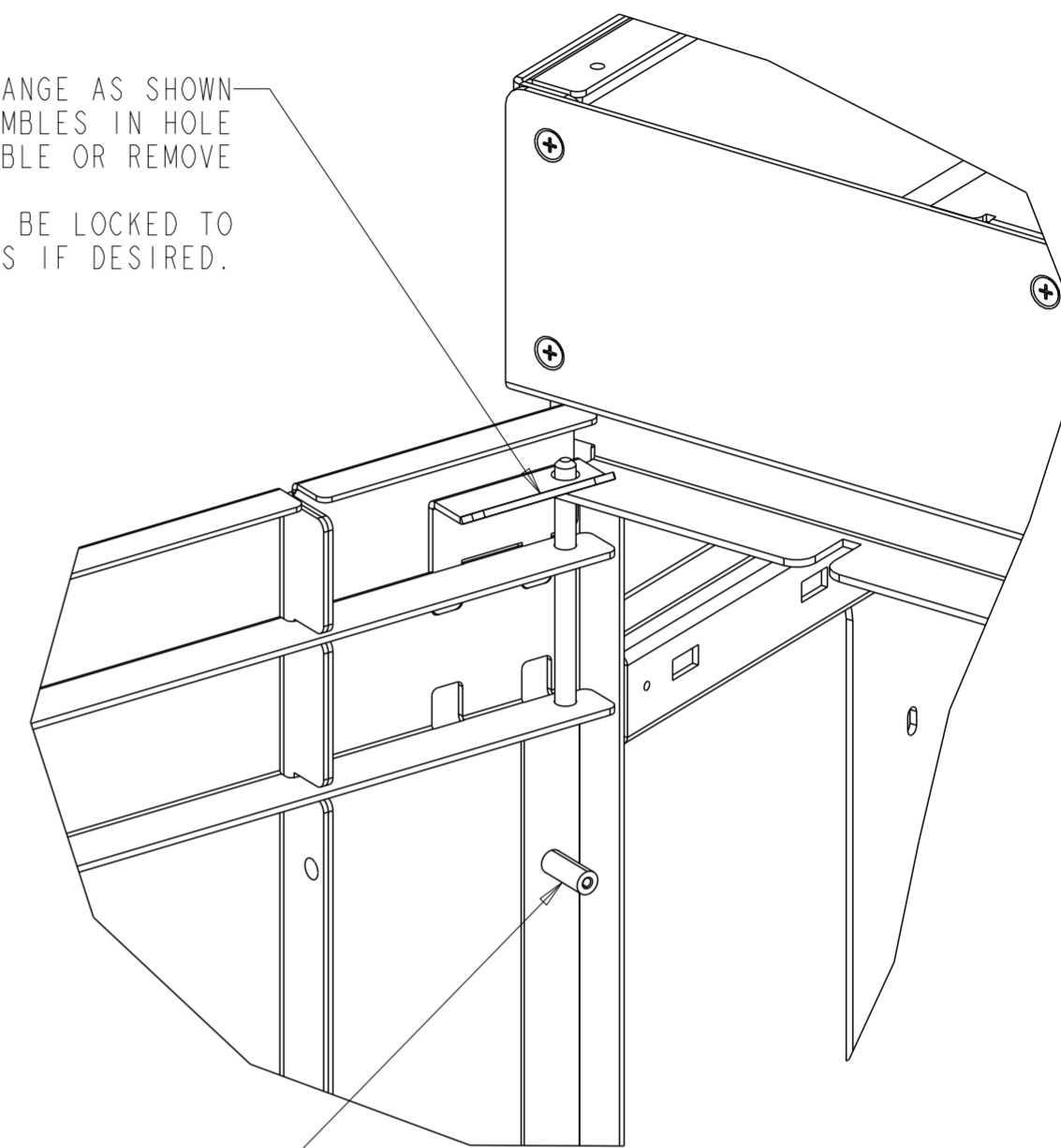
| | | | |
|-------------------------------|--------|------------------|--------|
| COMMSCOPE, INC. | | | |
| TITLE | | | |
| INSTALL DRAWING, PPL-FRAME-KT | | | |
| SIZE | SCALE | DOCUMENT NO. | |
| A2 | 0.085 | 660106315 | |
| DRAWING | | | SHEET |
| VERSION | STATUS | REVISION | 6 OF 9 |
| 01 | RE | A | |

© 2024 CommScope, Inc. Confidential
NOTICE: These drawings and specifications are the proprietary property of COMMSCOPE, INC. and may be used only for the specific purpose authorized in writing by COMMSCOPE, INC.



TOP PIN BRACKET RESTS ON DOOR SUPPORT FLANGE AS SHOWN
PIN ASSEMBLES IN HOLE
HOLD DOOR HANDLES TOGETHER TO ASSEMBLE OR REMOVE

PIVOT SIDES OF DOORS CAN BE LOCKED TO
PREVENT REMOVING DOORS IF DESIRED.



INSIDE HANDLE AVAILABLE FOR DOOR ASSEMBLY / DISASSEMBLY
CAN BE USED TO RELEASE DOOR PINS ON TOP AND BOTTOM

DETAIL B
SCALE 0.50

STEP 8

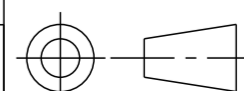
DOOR INSTALLATION
(IF INCLUDED WITH FRAME)

TO ASSEMBLE DOORS:
SQUEEZE HANDLES TOGETHER AND ALIGN DOORS SO PINS ASSEMBLE IN DOOR SUPPORT HOLES (TOP AND BOTTOM.)
SMALL BRACKETS ON TOP OF DOORS ASSEMBLE ABOVE THE DOOR SUPPORT FLANGE.

TO USE DOORS:
SQUEEZE CENTER HANDLES TOGETHER TO OPEN AND CLOSE DOORS

| | | | |
|-------------------------------|--------|------------------|--------|
| COMMSCOPE, INC. | | | |
| TITLE | | | |
| INSTALL DRAWING, PPL-FRAME-KT | | | |
| SIZE | SCALE | DOCUMENT NO. | |
| A2 | 0.090 | 660106315 | |
| DRAWING | | | SHEET |
| VERSION | STATUS | REVISION | 7 OF 9 |
| 01 | RE | A | |

© 2024 CommScope, Inc. Confidential
NOTICE: These drawings and specifications are the proprietary property of COMMSCOPE, INC. and may be used only for the specific purpose authorized in writing by COMMSCOPE, INC.



1 2 3 4 5 6 7 8 9 10

A

B

C

D

E

F

G

H

A

B

C

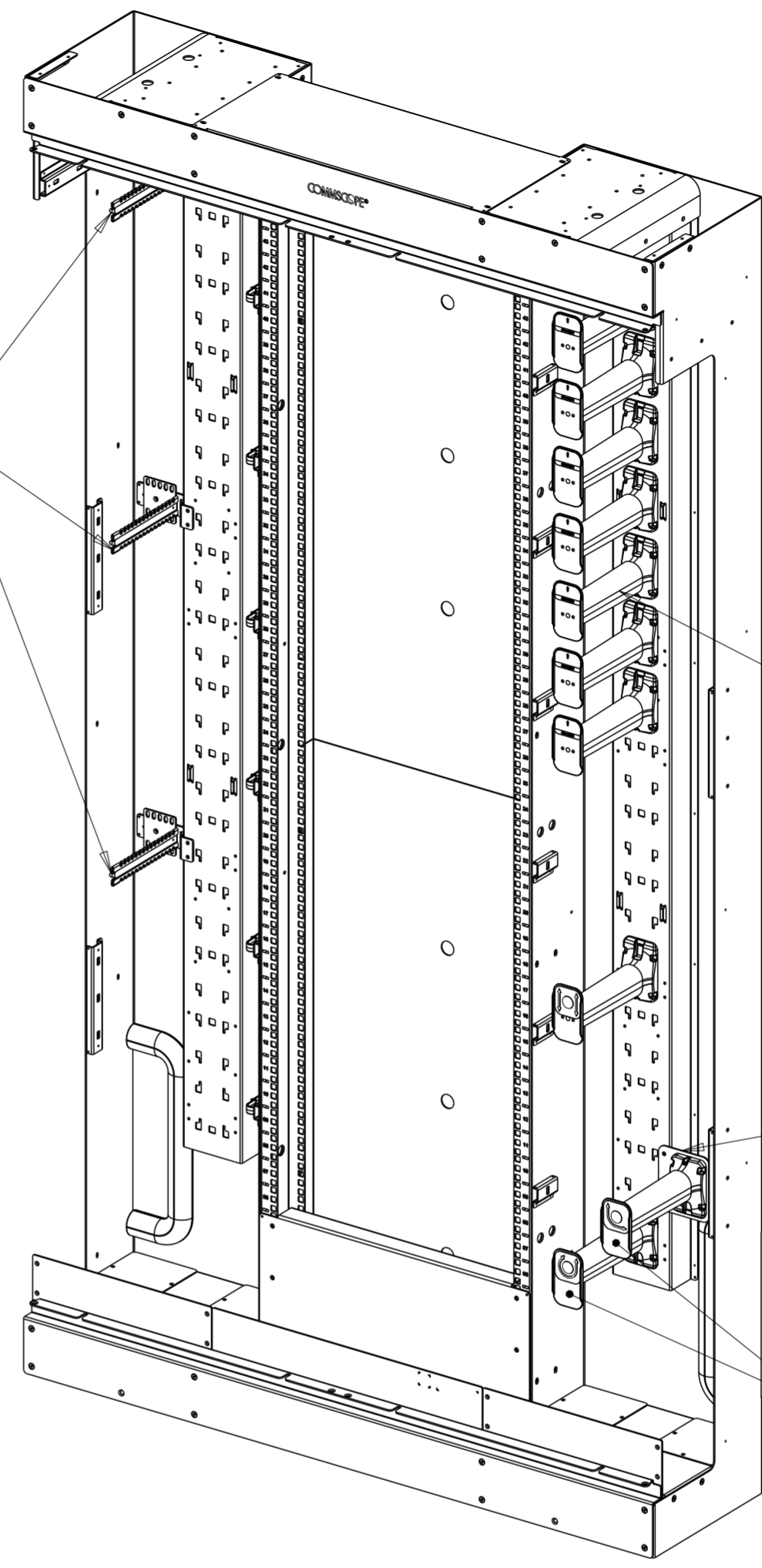
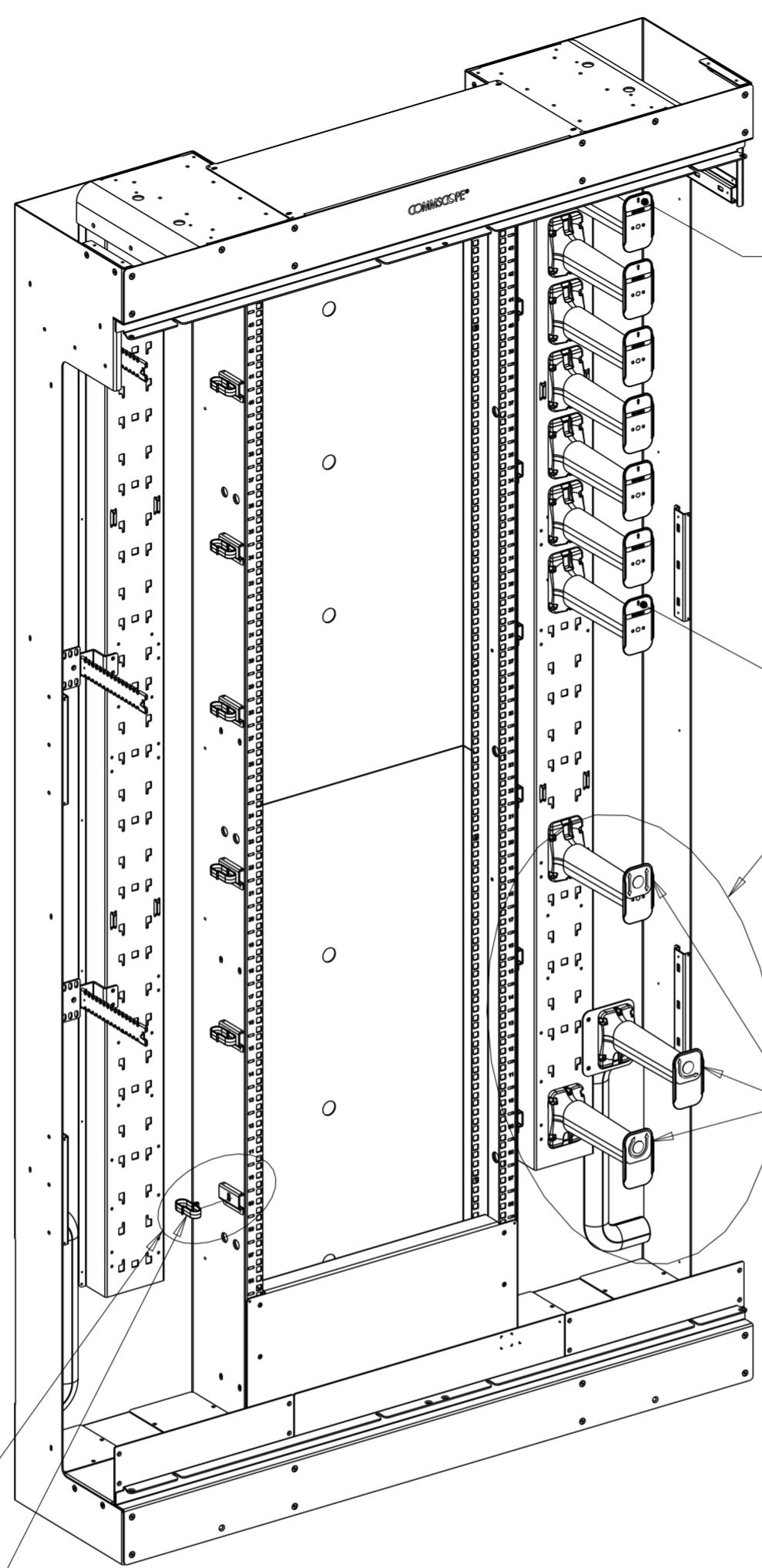
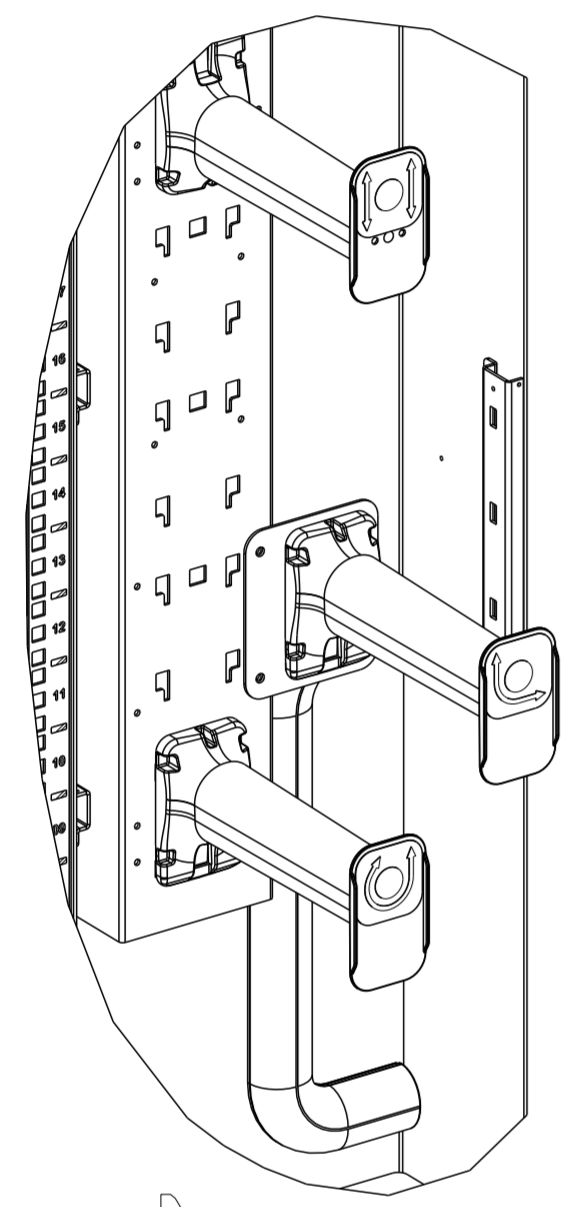
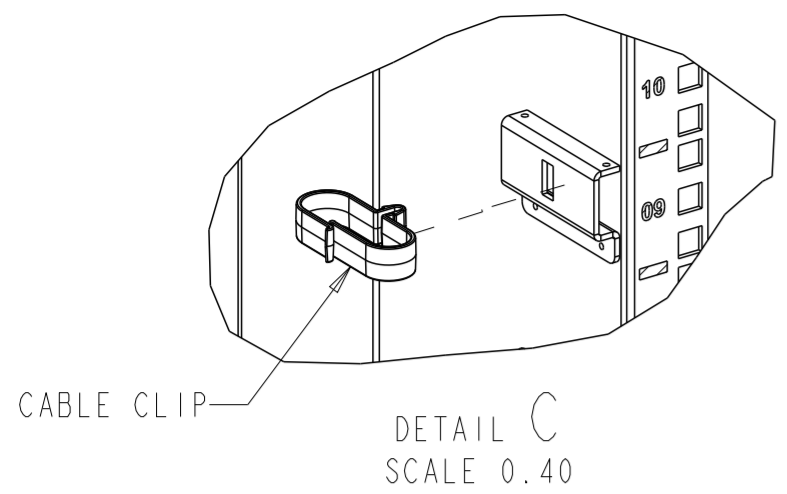
D

E

F

G

H



STEP 9

ASSEMBLE RADIUS LIMITER SPOOLS, LABELS & CABLE CLIPS

INSTALL RADIUS LIMITER SPOOLS AS SHOWN.

SPOOLS SNAP INTO FRAME.
APPLY PATCH CORD ROUTING LABELS TO SPOOLS AS SHOWN.

INSTALL CABLE CLIPS ON CABLE ENTRY SIDE.
ASSEMBLE CABLE CLIPS BY PINCHING AND INSERTING IN RECTANGULAR HOLE (SEE DETAIL C).

REFER TO ONLINE USER MANUAL FOR ADDITIONAL CABLING CONFIGURATIONS.

INSTALL CABLE CLIPS ON CABLE ENTRY SIDE (FRAME SIDE WITH CABLE MOUNTING BRACKETS)
(6 PLACES)
(2 EXTRA CLIPS PROVIDED)

SEE DETAIL C

COMMSCOPE, INC.

| | | |
|-------------------------------|--|--|
| TITLE | | |
| INSTALL DRAWING, PPL-FRAME-KT | | |

| | | |
|------|-------|--------------|
| SIZE | SCALE | DOCUMENT NO. |
| A2 | 0.110 | 660106315 |

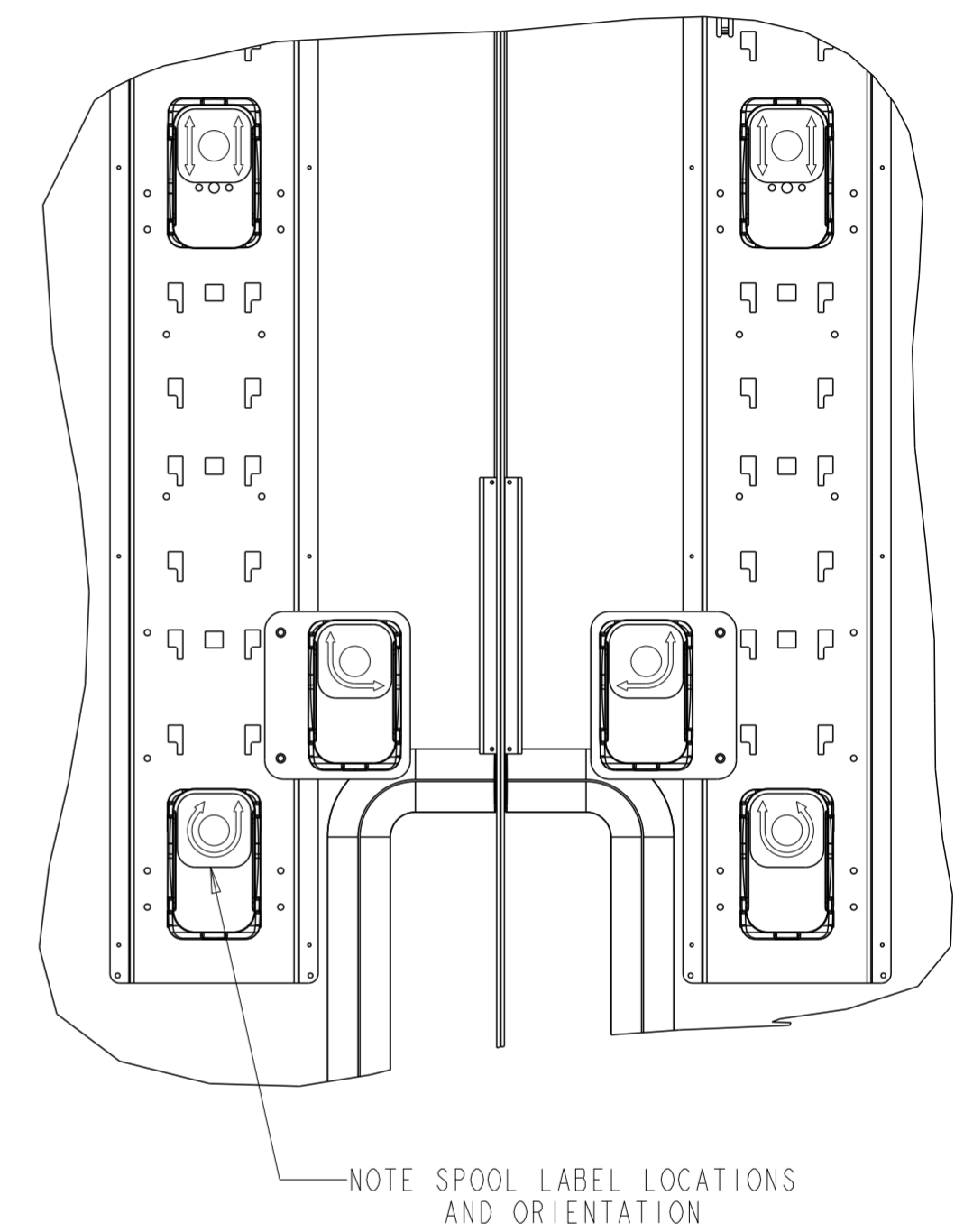
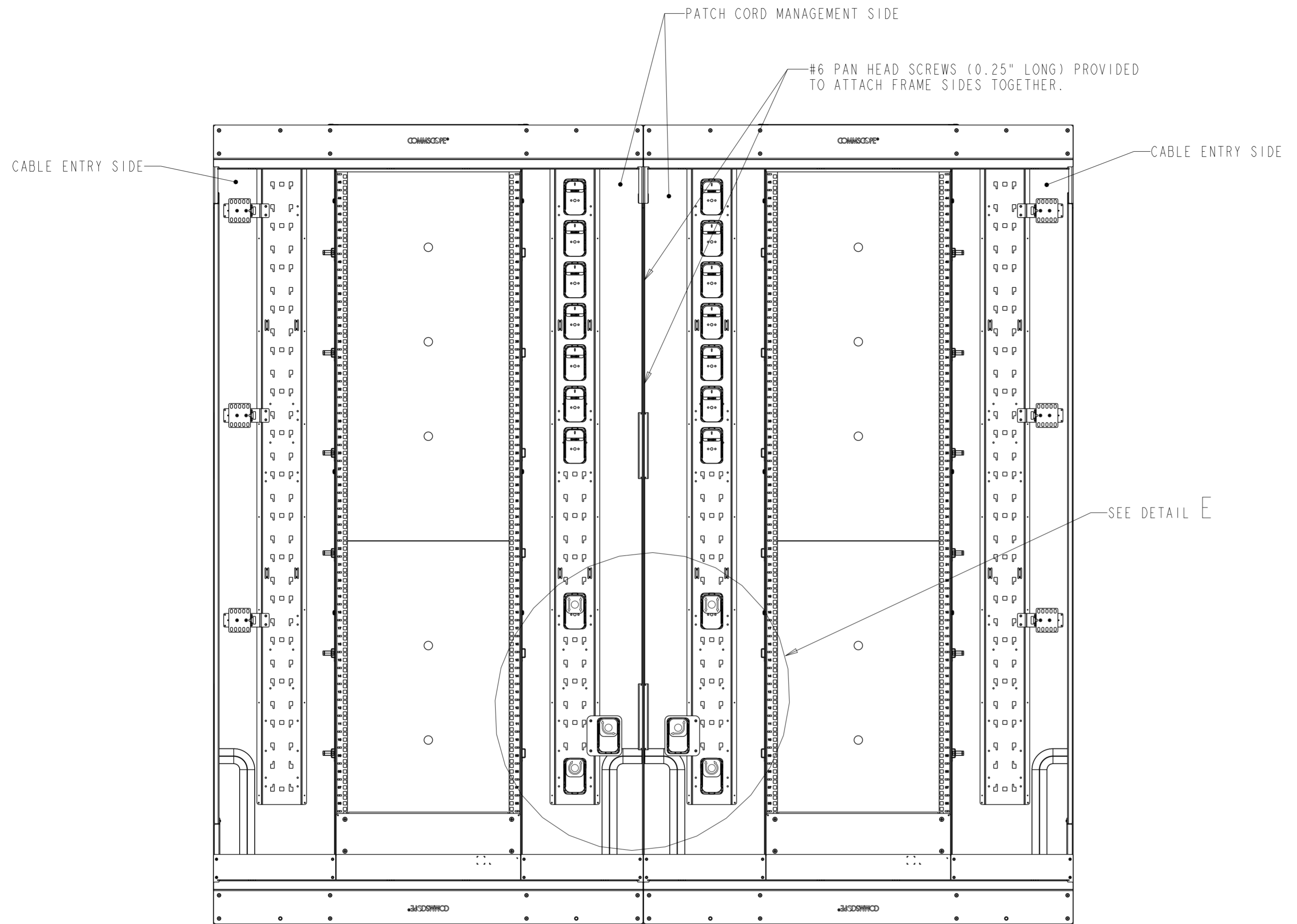
| | | |
|---------|---------|--------|
| DRAWING | SHEET | |
| | VERSION | STATUS |
| 01 | RE | A |
| | | 8 OF 9 |

© 2024 CommScope, Inc. Confidential
NOTICE: These drawings and specifications are the proprietary property of COMMSCOPE, INC. and may be used only for the specific purpose authorized in writing by COMMSCOPE, INC.

1 2 3 4 5 6 7 8 9 10

1 2 3 4 5 6 7 8 9 10

A B C D E F G H



DETAIL E
SCALE 0.22

FRAME WITH BRACKET LOCATIONS AS SHIPPED.

FRAME WITH BRACKET LOCATIONS MOVED TO MIRRORRED LOCATIONS.

EXAMPLE SIDE BY SIDE CROSS CONNECT INSTALLATION

| | | | |
|----------------------------|--------|------------------|--------|
| COMMSCOPE, INC. | | | |
| TITLE | | | |
| INSTALL DRAWING, PPL-FRAME | | | |
| SIZE | SCALE | DOCUMENT NO. | |
| A2 | 0.110 | 660106315 | |
| DRAWING | | | SHEET |
| VERSION | STATUS | REVISION | 9 OF 9 |
| 01 | RE | A | |

© 2024 CommScope, Inc. Confidential
 NOTICE: These drawings and specifications are the proprietary property of COMMSCOPE, INC. and may be used only for the specific purpose authorized in writing by COMMSCOPE, INC.

1 2 3 4 5 6 7 8 9 10