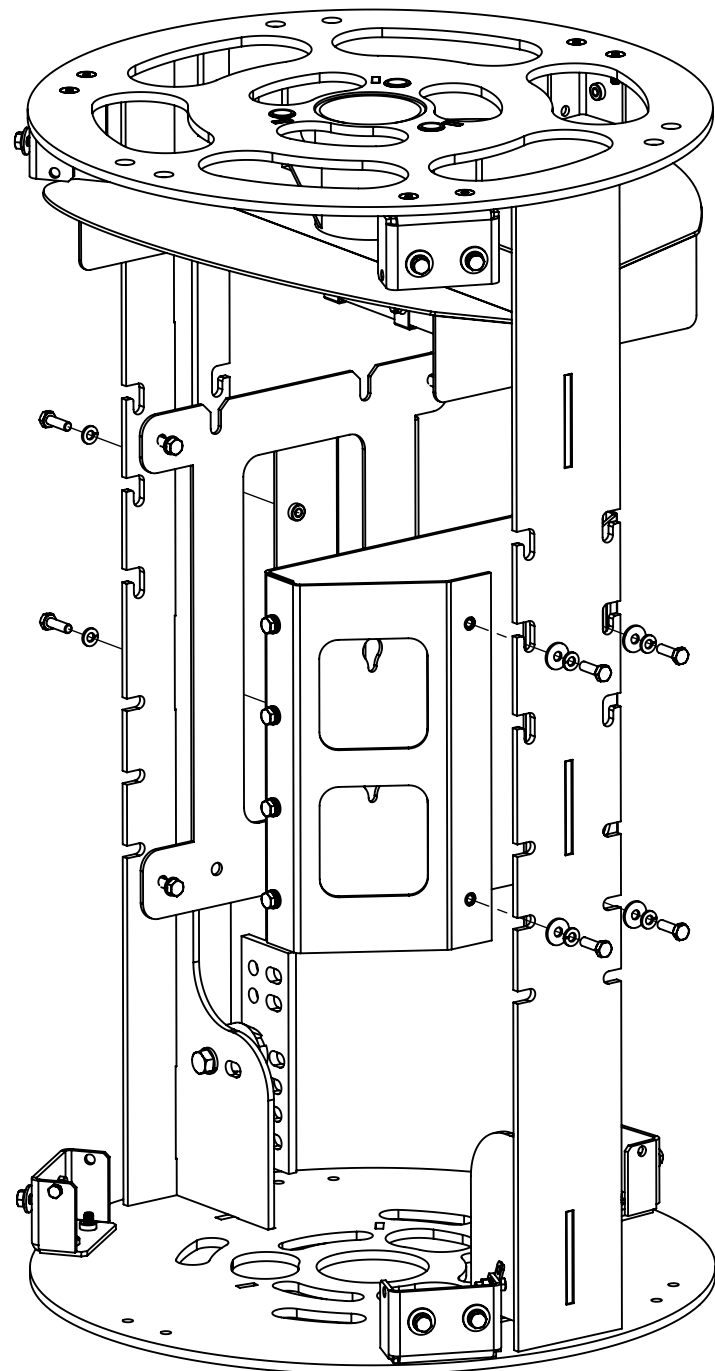
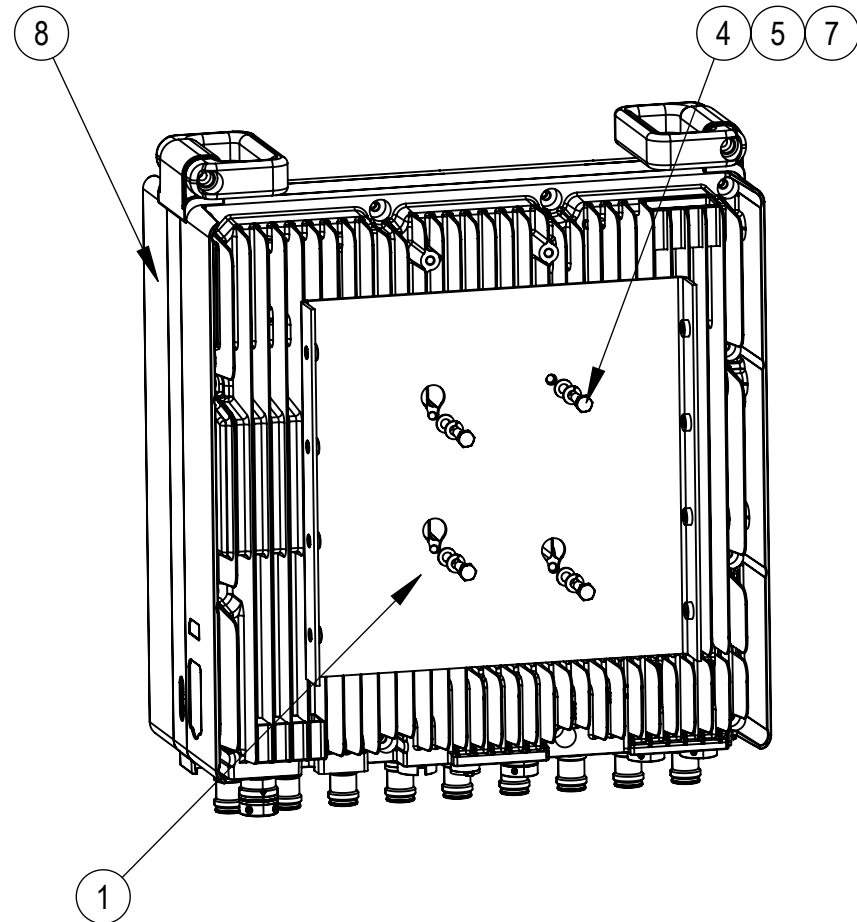


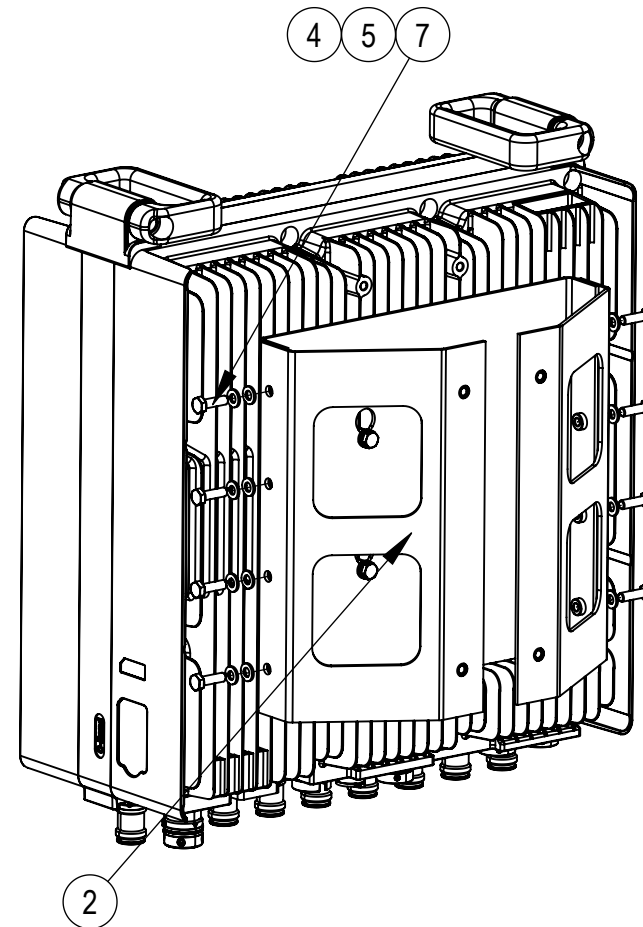
REVISIONS				
REV.	ECN	DESCRIPTION	BY	DATE
A	40142289CMO	INITIAL RELEASE	ZX1005	2/24/2022



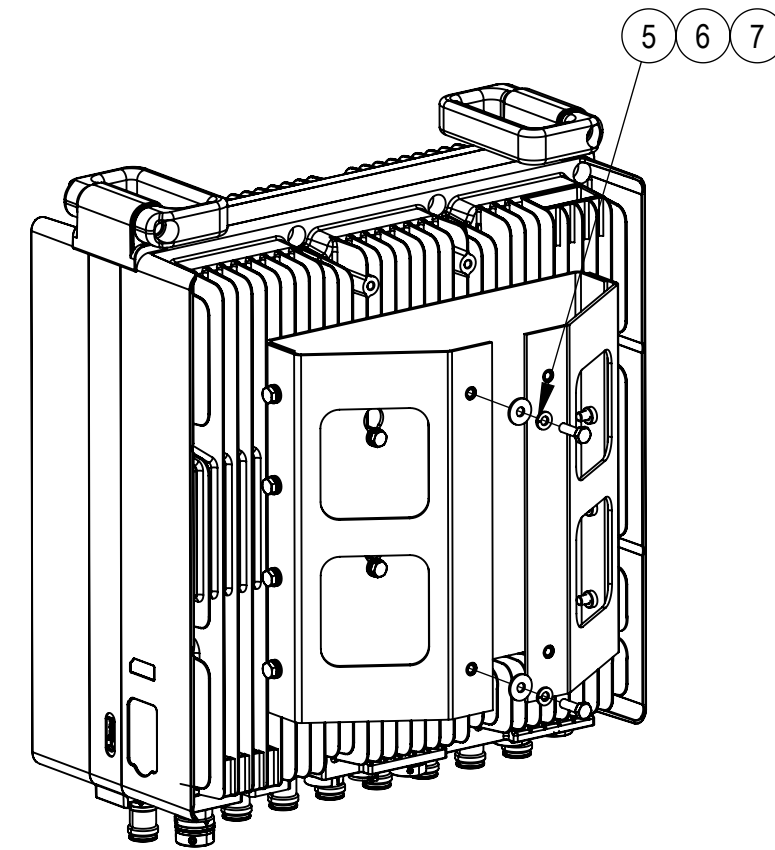
STEP 1
REMOVE PRE-INSTALLED SAMSUNG RADIO MOUNT BRACKET



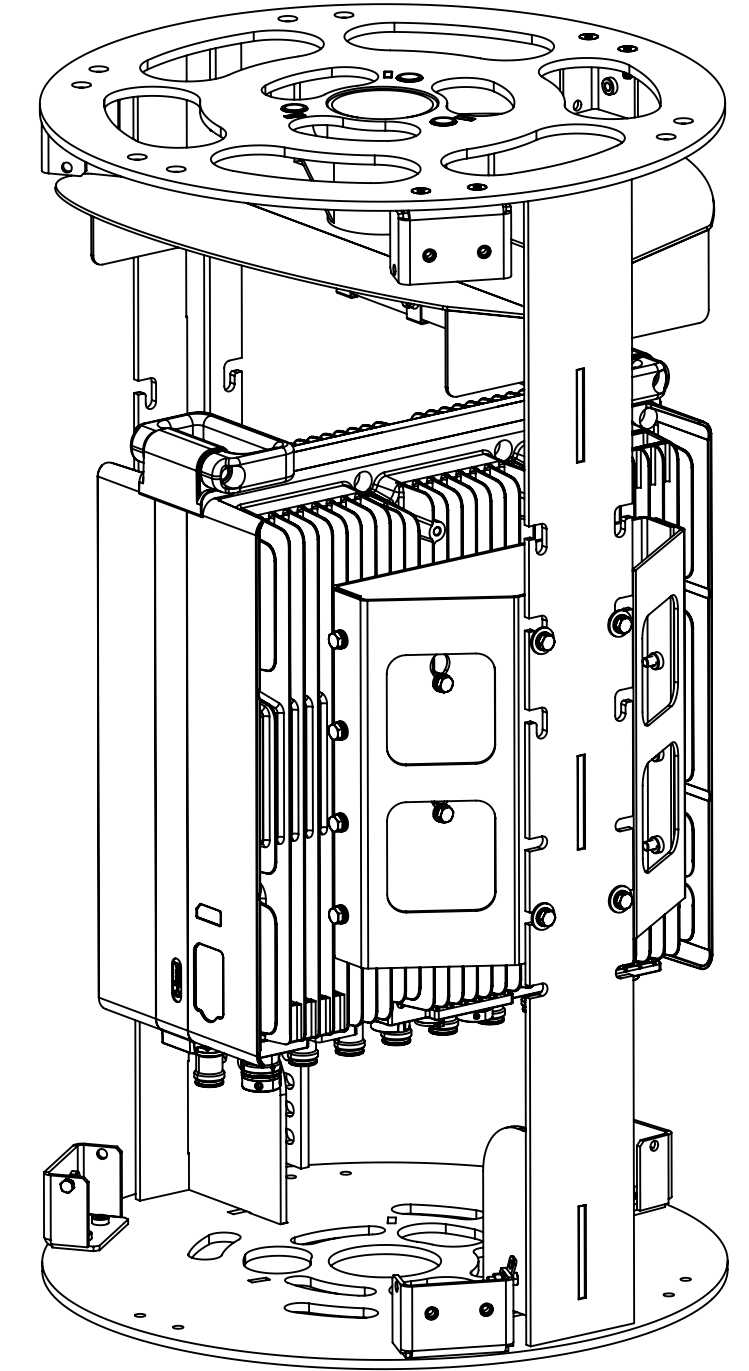
STEP 2
INSTALL BACK BRACKET TO RRU WITH M6 BOLTS AND WASHERS



STEP 3
INSTALL SIDE BRACKET TO BACK BRACKET WITH M6 BOLTS AND WASHERS



STEP 4
INSTALL 2 SETS OF M6 BOLTS AND WASHERS BUT NOT TIGHTENED, LEAVE GAP FOR HANGING BRACKETS ON SIDE POST



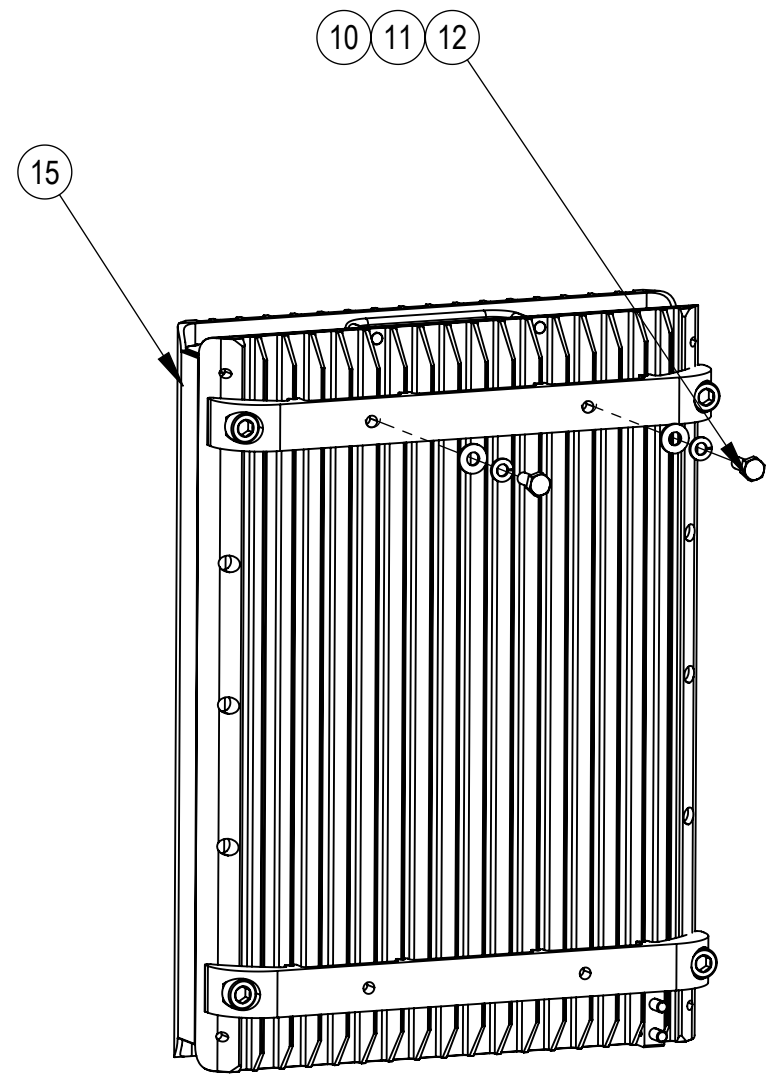
STEP 5
INSTALL ANOTHER 2 SETS OF M6 BOLTS AND WASHERS. TIGHTEN ALL BOLTS ON SIDE POST

ITEM NO.	PART NUMBER	DESCRIPTION	QTY.
1	mtm1157-1000	RADIO RT8808 MOUNT BRACKET BACK	1
2	mtm1157-2000	RADIO 8863 MOUNT BRACKET ASSY	2
3	mtm1157-3000	PSU DELTA AND GEABB MOUNT BRACKET	1
4	100521-25	WSHR,FLAT,M6,6.4X12X1.6,SST,PASS	12
5	100522-90	WSHR,LK,SPLT, M6,SST, PASS	18
6	100525-71	WSHR,FLAT,M6,6.4X18X1.6,SST,PASS	4
7	MTC9414	Bolt, Hex Head M6 x20mm StainlessSteel	14
8	mtm-rru-sam-rt8808-77a c-	SAMSUNG RT8808	1
9	MTM-PSU-CC1600SC55	GE CC1600SC55 PSU	1
10	SB-0206	Bolt, 1/4"-20 X 3/4" SS Type 18-8 (ea)	4
11	SWL-02	Lock Washer, 1/4" SS (ea)	4
12	SWF-02	Flat Washer, 1/4" SS (ea)	4
13	100534-217	SCR,HCS,HEX,M6X25,SST,PASS	4
14	100526-25	NUT,HEX,M6,SST,PASS	4
15	MTM-PSU-DPR 2000b	Delta 2Kw PSU DPR2000B	1

SAMSUNG RT8808 INSTALLATION

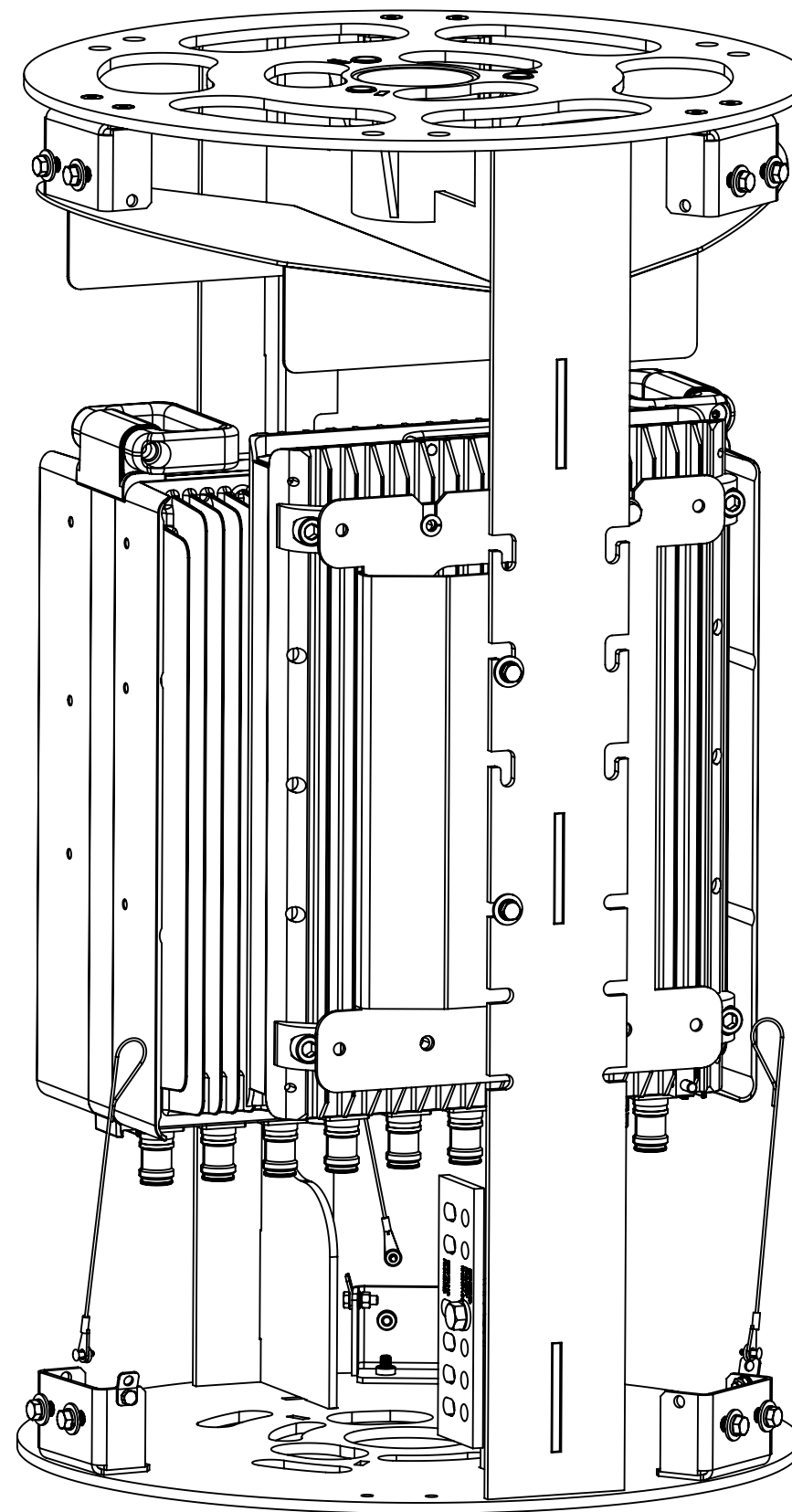
DENSITY	lbs/in ³
MASS	lbs
VOLUME	in ³
SURFACE AREA	in ²
HEIGHT	
LENGTH	
WIDTH	

COMMSCOPE, INC. OF NORTH CAROLINA										
TOLERANCES					SAP MATERIAL MASTER					
1 PLACE .X±		3 PLACE .XXX±			2 PLACE .XX±		ANGLES ±			
FINISH N/A					MATERIAL N/A					
UNLESS OTHERWISE SPECIFIED DIMENSIONS ARE IN INCHES INTERPRET PER ANSI Y 14.5M-1994	NAME	DATE	TITLE							
	CE ZX1005	2/24/2022	760233122S60 INSTALL							
	RW ZX1005	03/08/2022	SCALE 1:8 DOCUMENT NO. 760233122S60							
	AD YC1015	03/16/2022	SIZE Auth Group INSL MODEL DRAWING							
	RE YC1015	03/16/2022	VERSION STATUS REVISION VERSION STATUS REVISION SHEET							
ECN 40142289CMO		C		00	RE	A	00	RE	A	1 OF 3



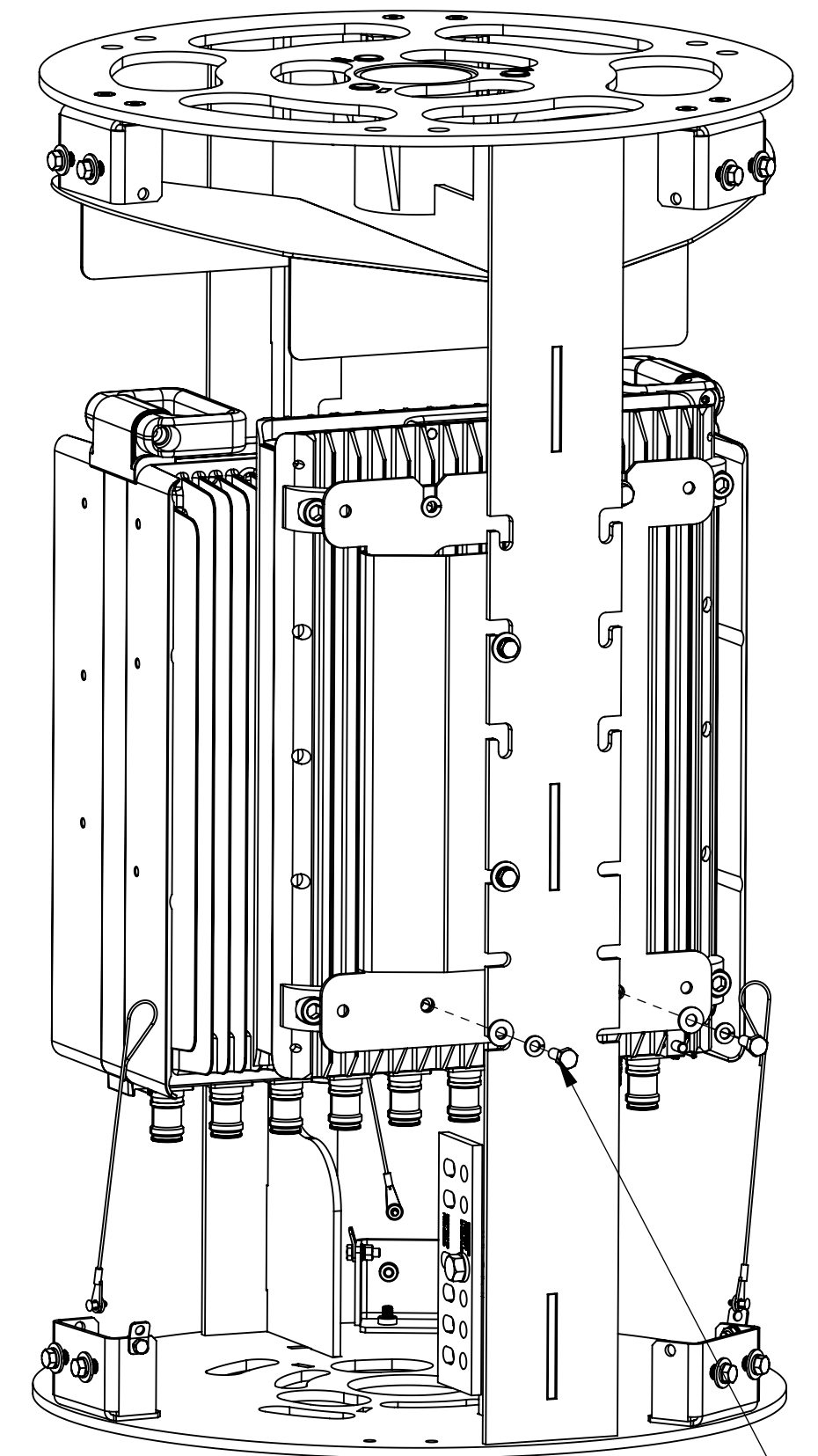
STEP 1

INSTALL 2 SETS 1/4" BOLTS WITH FLAT WASHER AND LOCK WASHER ON PSU DELTA 2.0.



STEP 2

HANG PSU ON BRACKET



STEP 3

INSTALL ANOTHER 2 SETS OF 1/4" BOLT WITH FLAT WASHER AND LOCK WASHER

PSU DELTA 2.0KW INSTALLATION

COMMSCOPE, INC. OF NORTH CAROLINA

TITLE
760233122S60 INSTALL

SIZE C	SCALE 1:1	DOCUMENT NO. 760233122S60
------------------	---------------------	-------------------------------------

DRAWING	VERSION	STATUS	REVISION	SHEET 2 OF 3
	00	RE	A	

4

3

2

1

D

D

C

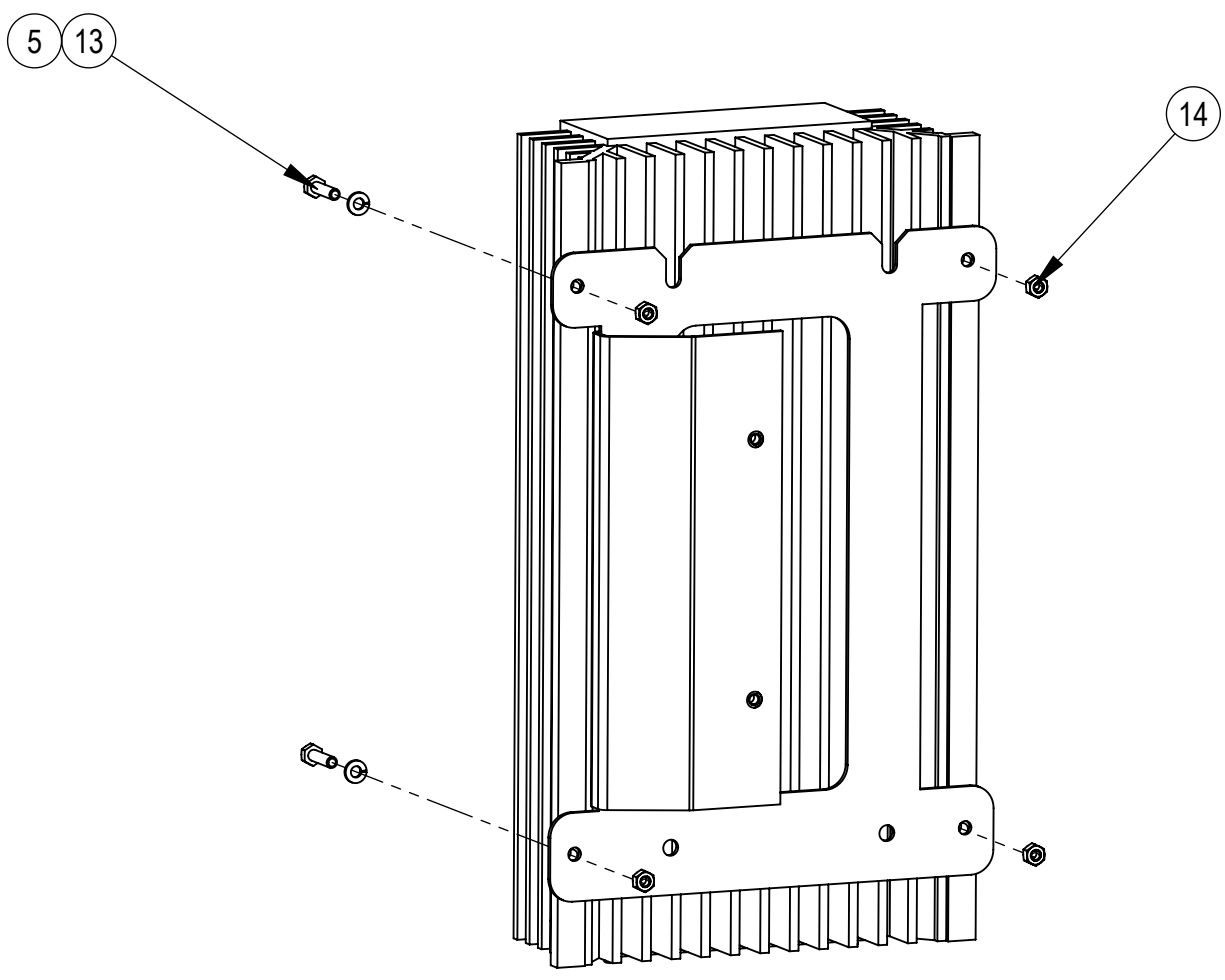
C

B

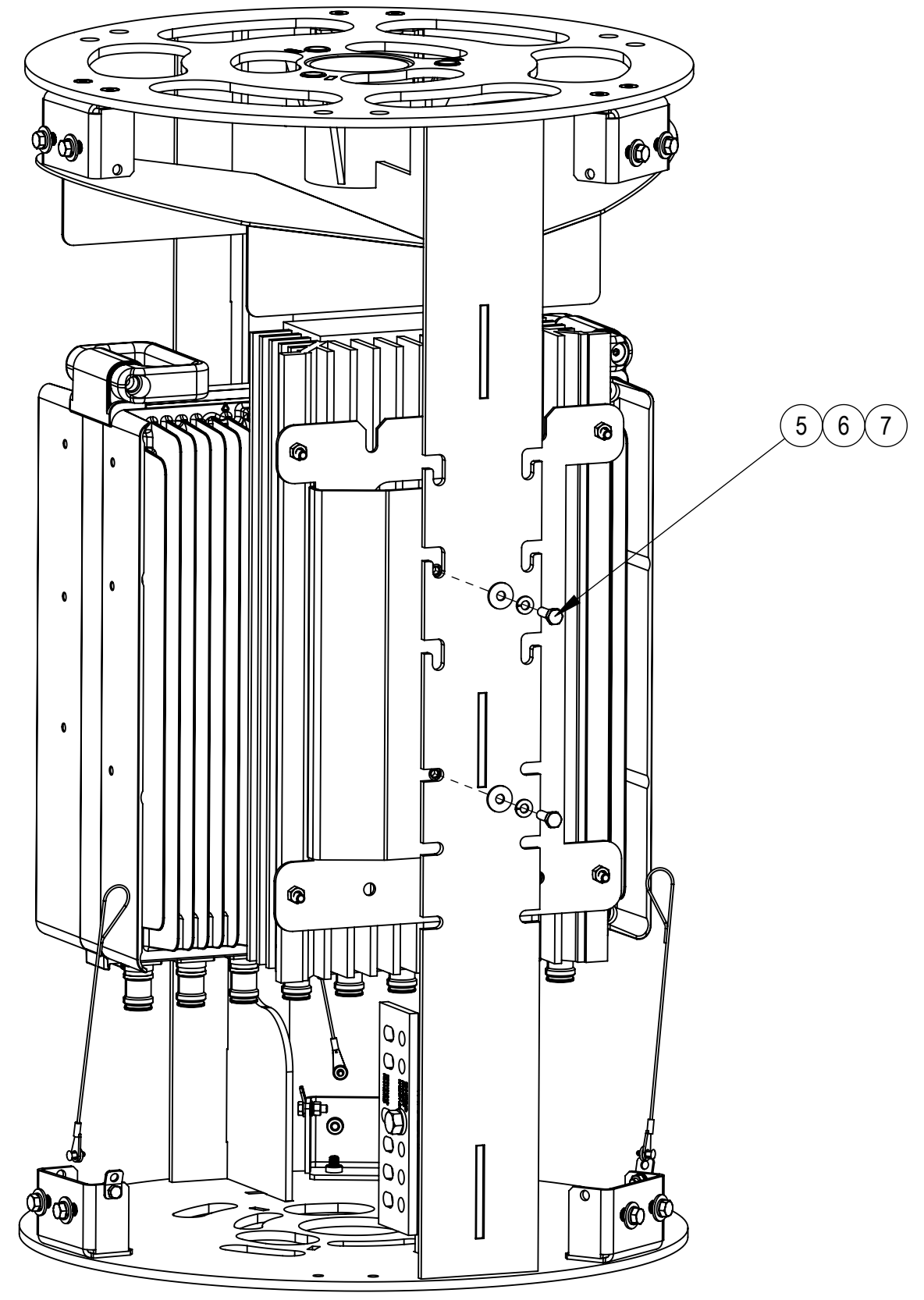
B

A

A


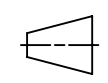


STEP 1
 INSTALL BRACKET ON PSU GE ABB WITH M6 BOLTS AND WASHERS



STEP 2
 INSTALL PSU AND BRACKETS WITH M6 BOLTS AND WASHERS

PSU GE ABB INSTALLATION

COMMSCOPE, INC. OF NORTH CAROLINA				
TITLE 760233122S60 INSTALL				
SIZE C	SCALE 1:1	DOCUMENT NO. 760233122S60		
DRAWING		VERSION	STATUS	REVISION
 		00	RE	A
				SHEET 3 OF 3

© 2022 CommScope, Inc.

4

3

2

1

