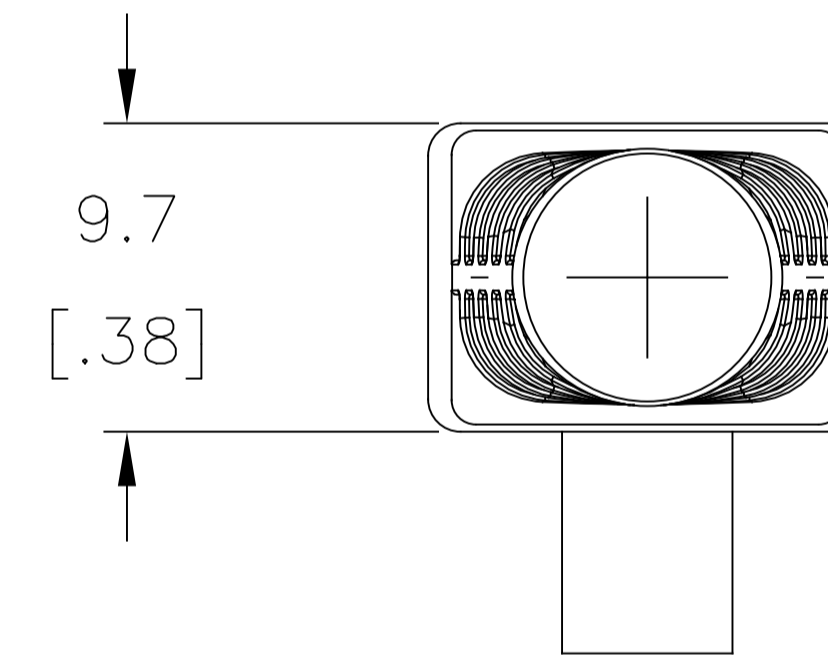
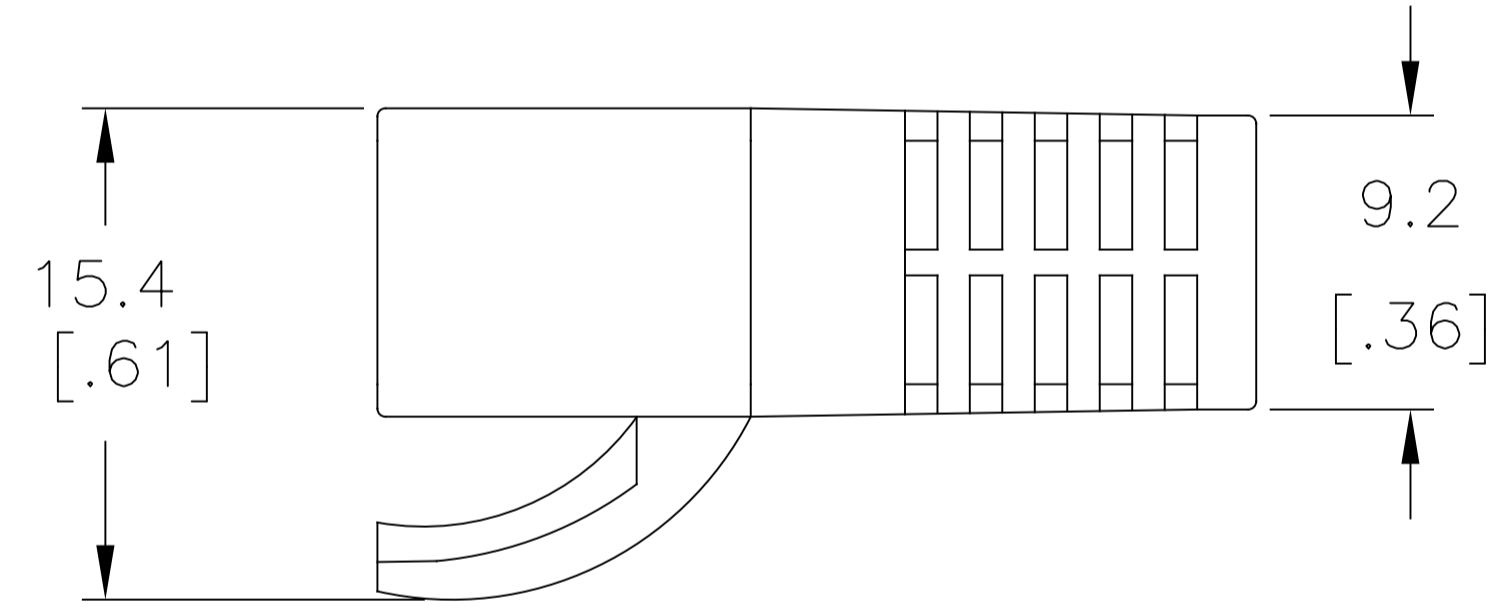
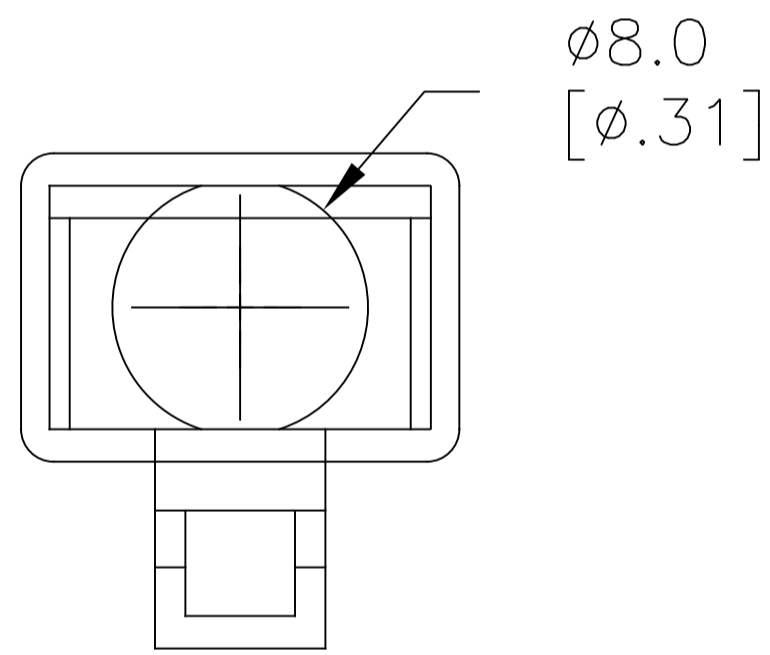
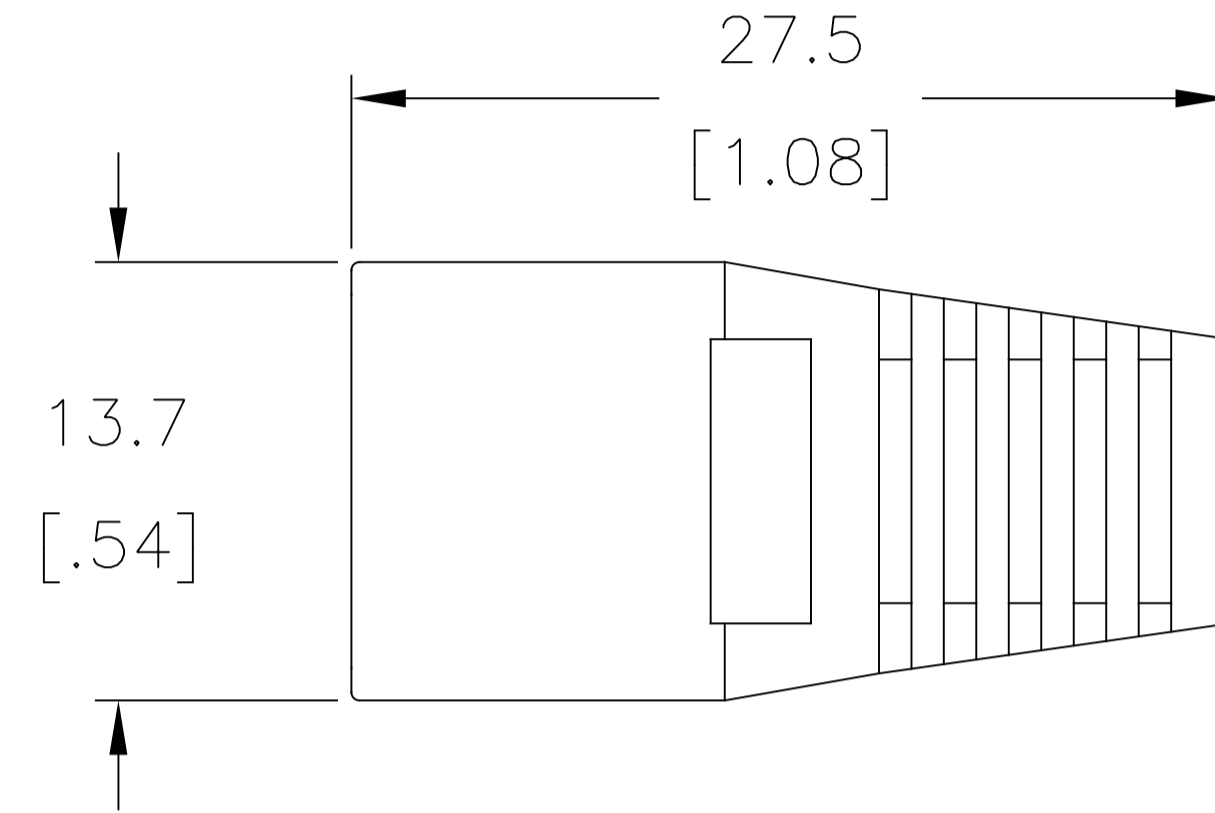
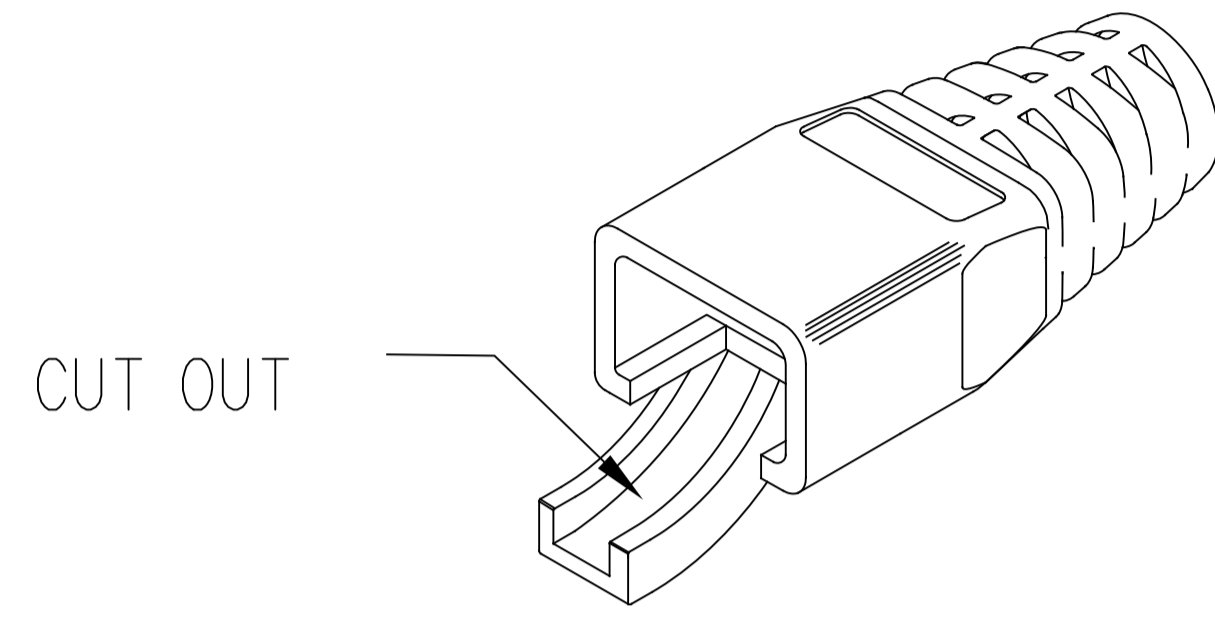


THIS DRAWING IS UNPUBLISHED.      RELEASED FOR PUBLICATION

© 2016 Commscope, INC. Confidential      NOTICE: These drawings and specifications are the proprietary property of COMMSCOPE, INC. and may be used only for the specific purpose authorized in writing by COMMSCOPE, INC.

REVISIONS				
P	LTR	DESCRIPTION	DATE	APVD
C		40129216CMO	15APR21	GG MS

- 1 MATERIAL: PVC
- 2 ALL DIMENSIONS ARE NOMINAL.
- 3. 100 PCS PER PACKAGE.



YELLOW	1933943-6
BLUE	1933943-4
GREY	1933943-2
WHITE	1933943-1
COLOR	PART No.

THIS DRAWING IS A CONTROLLED DOCUMENT.		DWN J. BURWELL 13JAN2009	<b>COMMSCOPE, INC.</b>																
DIMENSIONS: mm [ INCHES ]		CHK B. MCNEILL 13JAN2009																	
TOLERANCES UNLESS OTHERWISE SPECIFIED:		APVD B. MCNEILL 13JAN2009	NAME BOOT, HOODED, 0.310																
<table border="0"> <tr> <td>0 PLC</td> <td>± -</td> <td rowspan="5">2</td> </tr> <tr> <td>1 PLC</td> <td>± -</td> </tr> <tr> <td>2 PLC</td> <td>± -</td> </tr> <tr> <td>3 PLC</td> <td>± -</td> </tr> <tr> <td>4 PLC</td> <td>± -</td> </tr> <tr> <td colspan="2">ANGLES</td> <td>± -</td> </tr> </table>		0 PLC	± -	2	1 PLC	± -	2 PLC	± -	3 PLC	± -	4 PLC	± -	ANGLES		± -	PRODUCT SPEC	SIZE A2		
0 PLC	± -	2																	
1 PLC	± -																		
2 PLC	± -																		
3 PLC	± -																		
4 PLC	± -																		
ANGLES		± -																	
MATERIAL -		FINISH -	APPLICATION SPEC	CAGE CODE	DRAWING NO														
-		1	WEIGHT -	RESTRICTED TO	SCALE 1:1														
CUSTOMER DRAWING			SCALE 1:1	SHEET 1 of 1	REV C														

1933943

A