

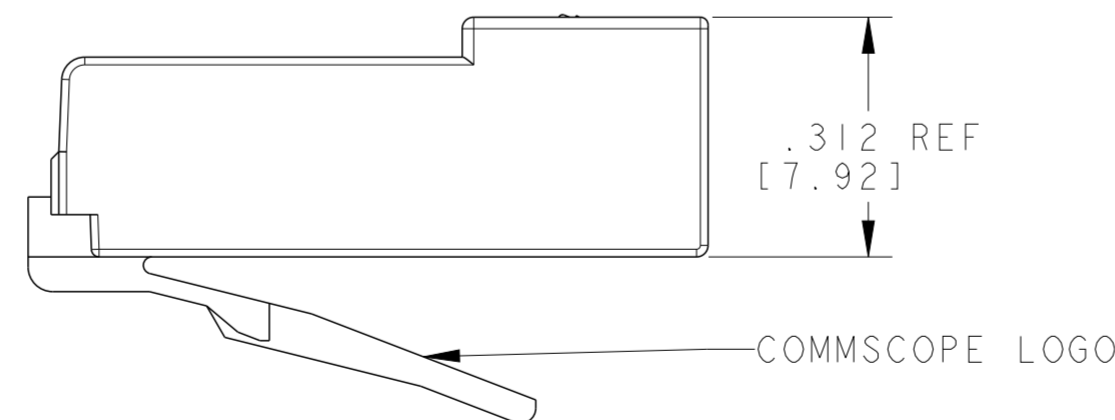
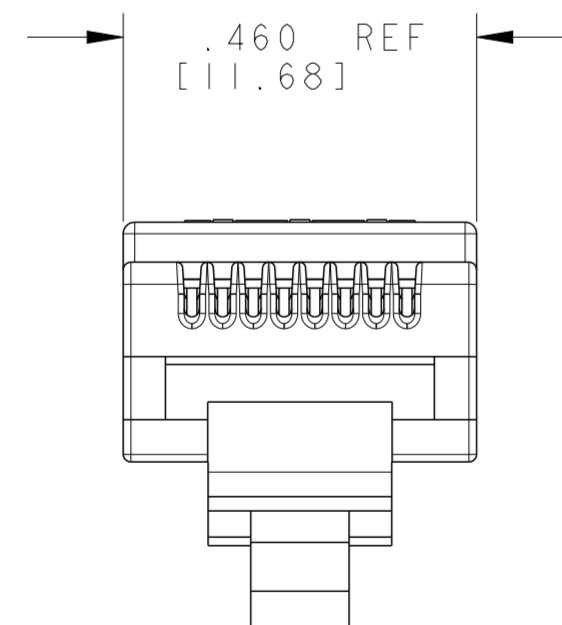
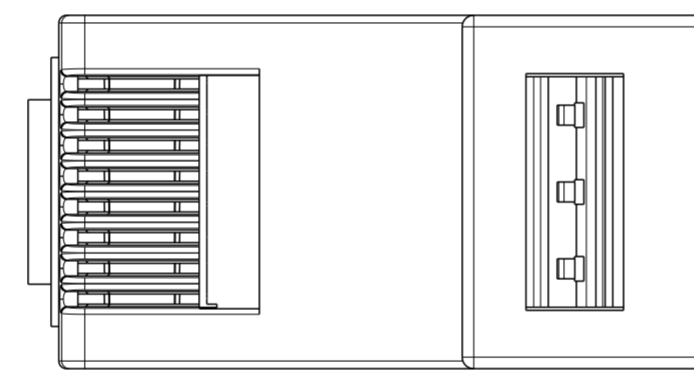
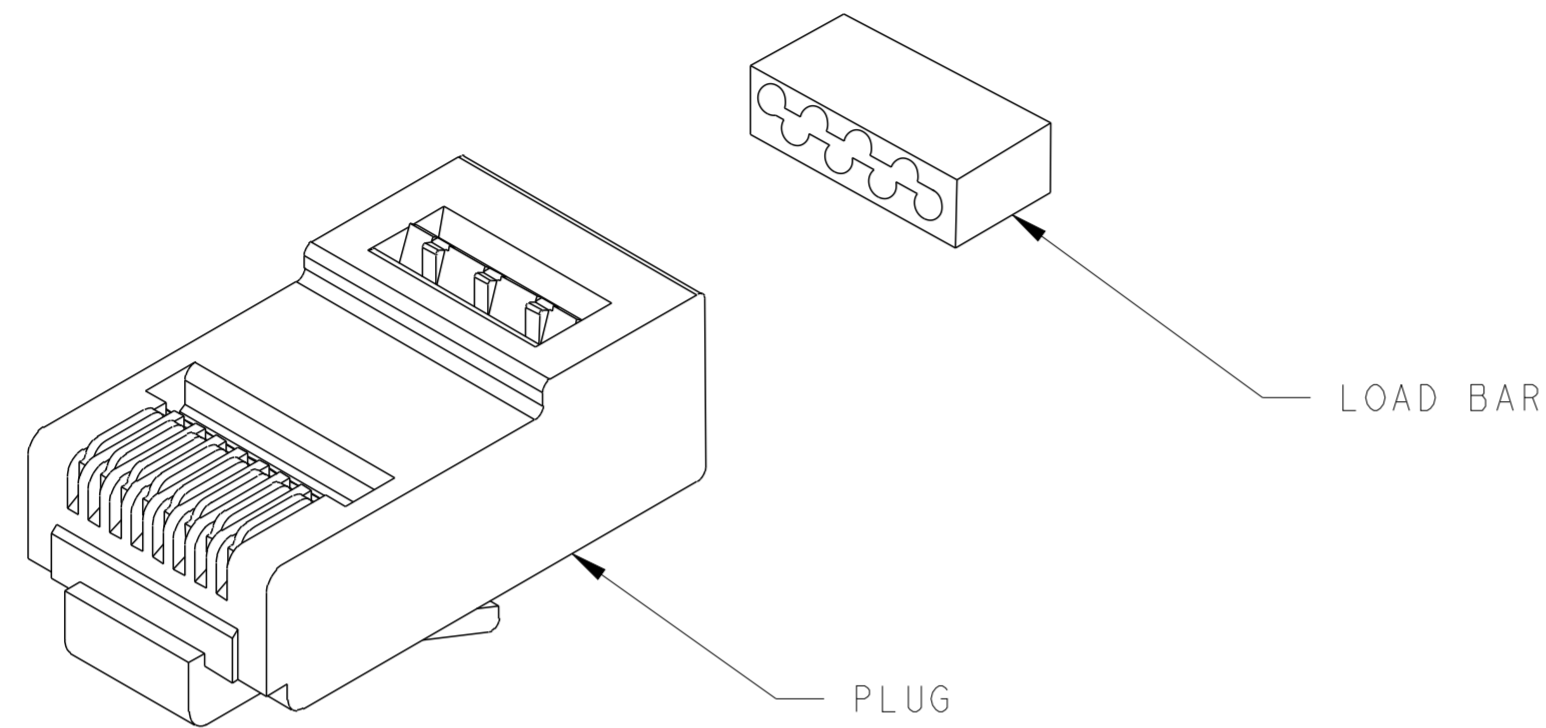


REVISIONS			
REV	CMO	DATE	APPROVED
A	40208679CMO	13-NOV-2024	TMS

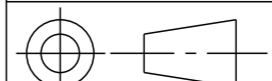
NOTES:

- DIMENSIONS ARE NOMINAL UNLESS OTHERWISE SPECIFIED.
- MATERIAL:
 PLUG: POLYCARBONATE, 94V-0 RATED
 CONTACT: PHOSPHOR BRONZE
 CONTACT PLATING: 1.27 μm [50 MICRO-INCH] HARD GOLD
 IN CONTACT AREA OVER 2.54 μm [100 MICRO-INCH]
 MINIMUM THICK NICKEL UNDERPLATE.
 LOAD BAR: POLYCARBONATE 94V-0 RATED WITH CONDUCTIVE FILLER.
- CONDUCTOR JACKET, OD RANGE .044-.048INCH SOLID OR STRANDED WIRE 23 AWG.
 OUTER JACKET OD RANGE 0.216-0.285INCH [5.50-7.24MM].
- COMPONENTS ARE BULK PACKAGED.
- ALL DIMENSIONS ARE IN INCH [MM]
-  100 PLUG ASSEMBLIES AND 100 LOAD BARS PER PACKAGE.
-  25 PLUG ASSEMBLIES AND 25 LOAD BARS PER PACKAGE.



PLUG ASSEMBLY REFERENCE DIMENSIONS

	760259540
	760259541
PACKAGED	PART NO.

COMMSCOPE, INC.				
DRAFTER AMIT B.	TITLE KIT, 8P, MP, LG COND, CAT6/6A, UTP			
ENGINEER THOMAS SHORE	SIZE A2	SCALE 4/1	DOCUMENT NO. A24133499-C	
	CUSTOMER DRAWING			REVISION A
				SHEET 1 OF 1