

FACT FRAME

INSTALLATION INSTRUCTION: Cross Connect / Right Hand Patch

FACT FRAME CROSS CONNECT RHP

Contents

1. General product information	2	7. Frame Labeling	13
2. Warnings and caution	2	8. Side To Side / Back To Back Mount	17
3. Kit content.....	2	9. Wall Mount.....	18
4. Frame Assembly.....	4	10. Trade-marks	20
5. Bottom Through Assembly	10	11. Contact Information.....	20
6. Routing Parts Assembly.....	12		

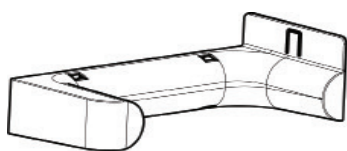
1. General product information

CommScope's all-purpose, easy-to-use FACT cross connect frames are designed to meet today's and tomorrow's high-density network needs. The front access frame provides full access to both sides of all connections. The cross connect FACT frame is available in 2 versions: Left Hand Patching (LHP) and Right Hand Patching (RHP). The FACT frames can be mounted on the floor, free standing, against a wall, side-to-side or back-to-back. For larger lineups, multiple frames can be deployed side-by-side. Each cross connect frame can house up to 2644 LC connections. Engineered bend control during routing maintains superior optical performance and easy access to cables, pigtails and jumpers during installation, operation, maintenance and upgrades. Cable attachment plates are incorporated into the side ducts.

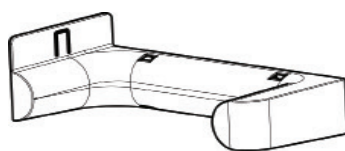
2. Warnings and caution

- Fiber optic cables may be damaged if bent or curved to a radius that is less than the recommended minimum bend radius. Always observe the recommended bend radius limit when installing fiber optic cables and patch cords.
- Exposure to laser radiation can seriously damage the retina of the eye. Do not look into the ends of any optical fiber. Do not assume the laser power is turned off or that the fiber is disconnected at the other end.

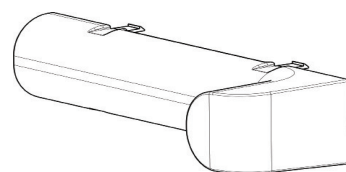
3. Kit Content



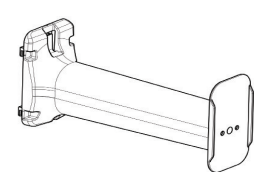
3x Collector Left



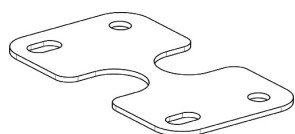
2x Collector Right



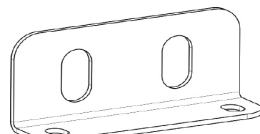
5x Collector Edge



7x Drum



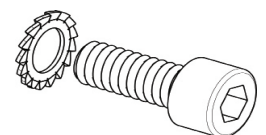
4x Connection Plate



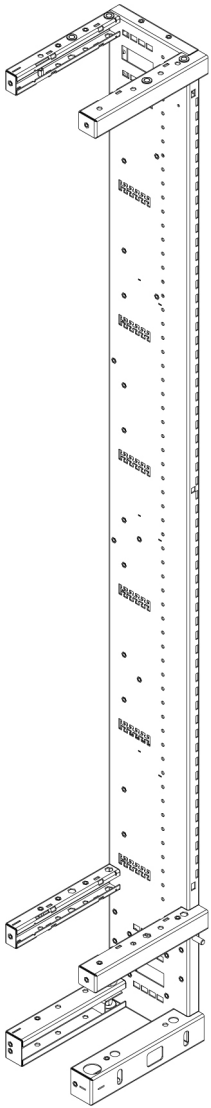
2x Wall Plate



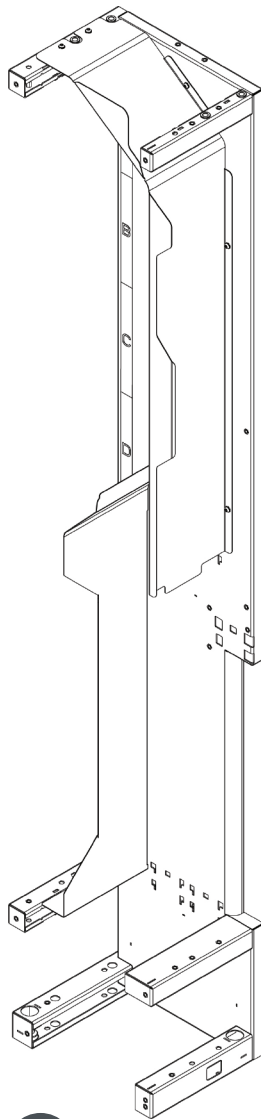
52x M6 Bolt+Washer



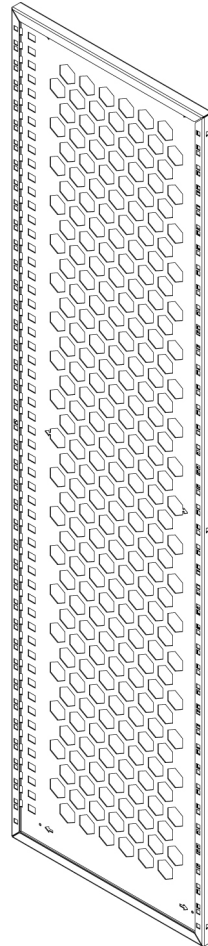
4x M10 Bolt+Washer



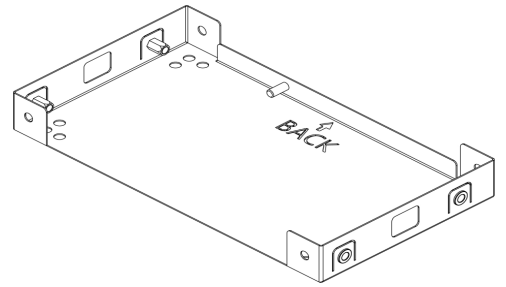
1x Side Duct 150



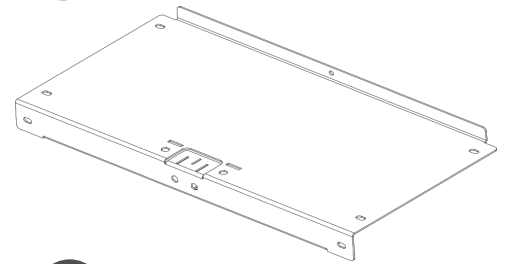
1x Side Duct 300



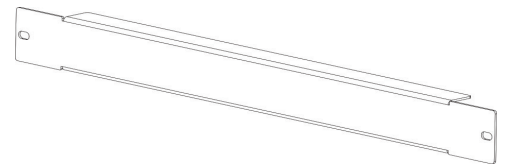
1x Back Plate CC



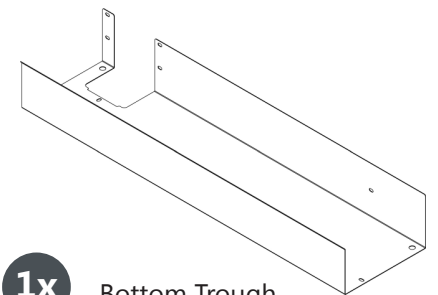
1x Floor Template



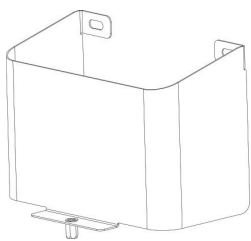
2x Frame Center



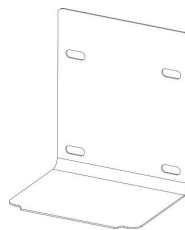
1x Bottom Feet Spacer



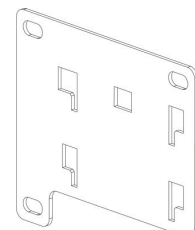
1x Bottom Trough



1x Bottom Entry Guide

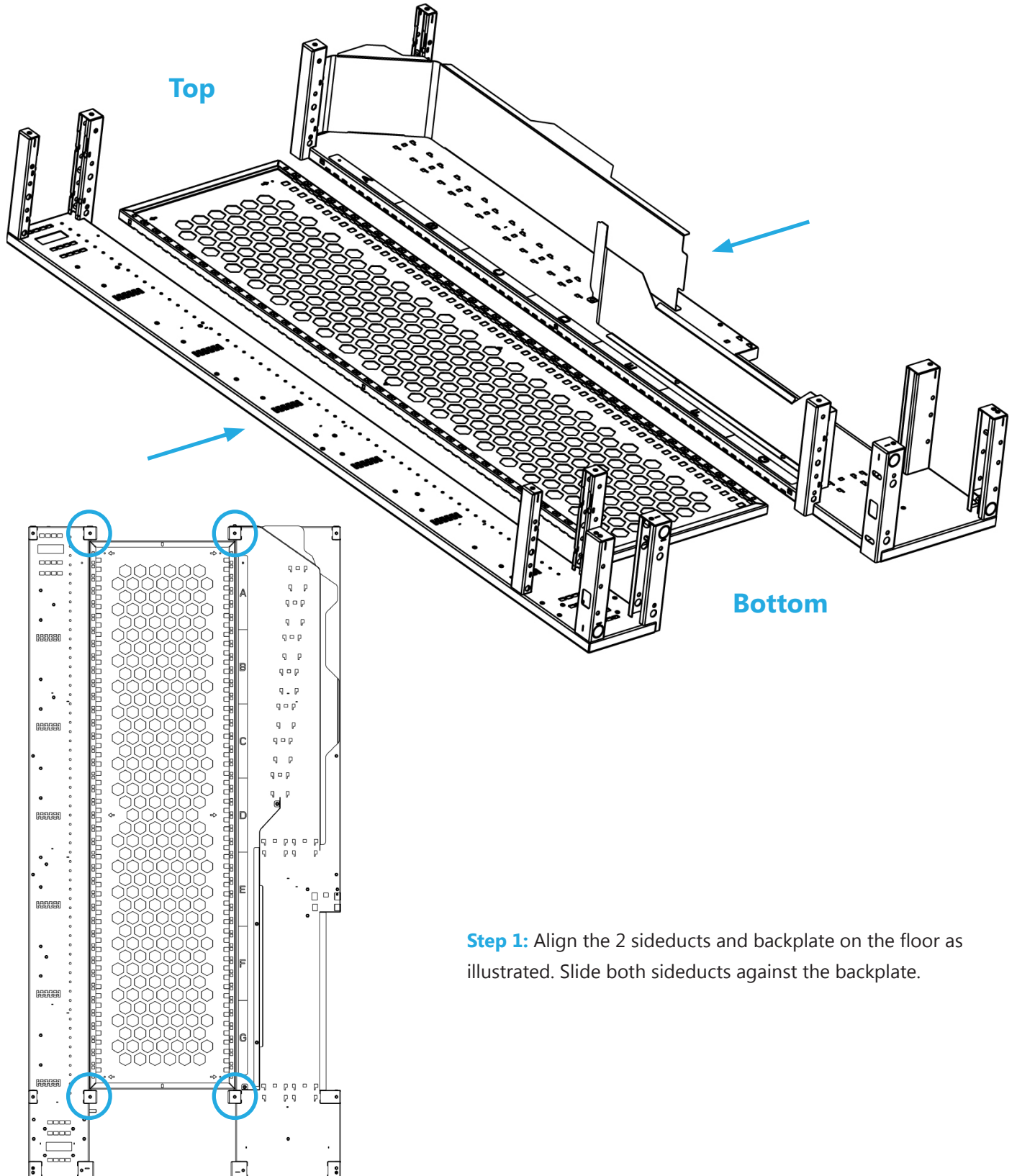


1x Bottom Entry Block Off



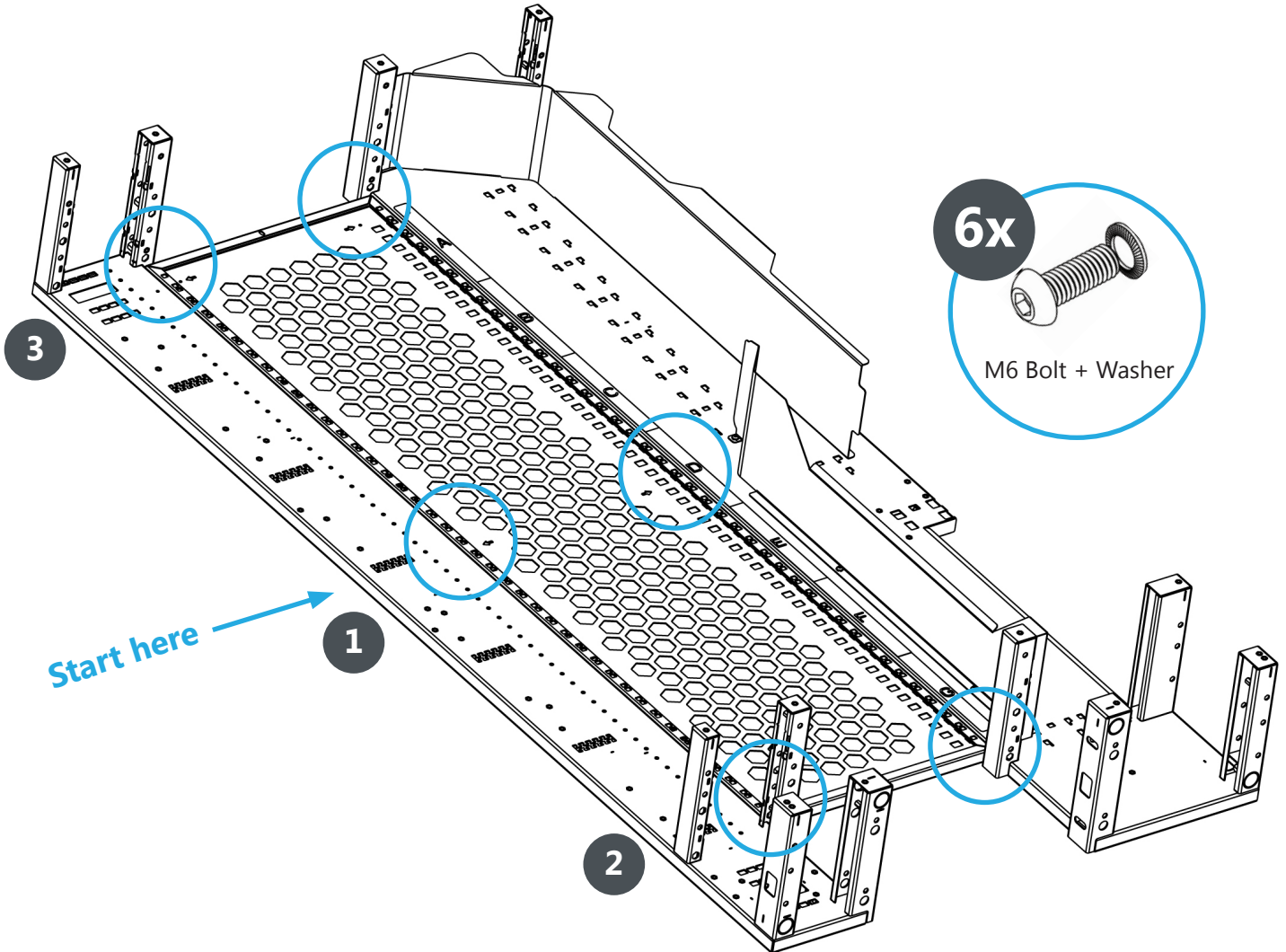
1x Collector Plate

4. Frame Assembly - Step 1



Step 1: Align the 2 sideducts and backplate on the floor as illustrated. Slide both sideducts against the backplate.

4. Frame Assembly - Step 2

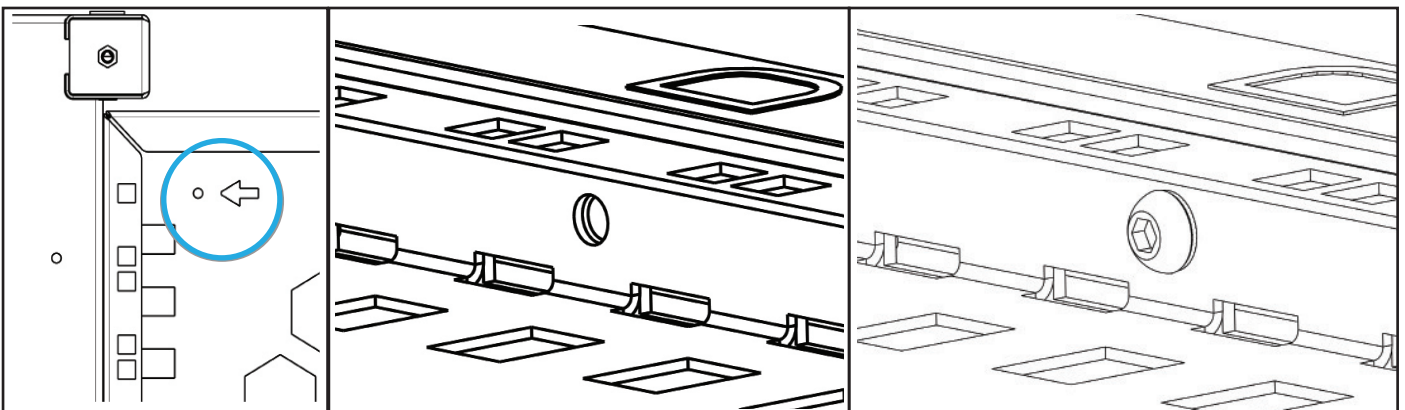


Step 2: Join the backplate to the sideducts with 6 M6 bolts + washers.

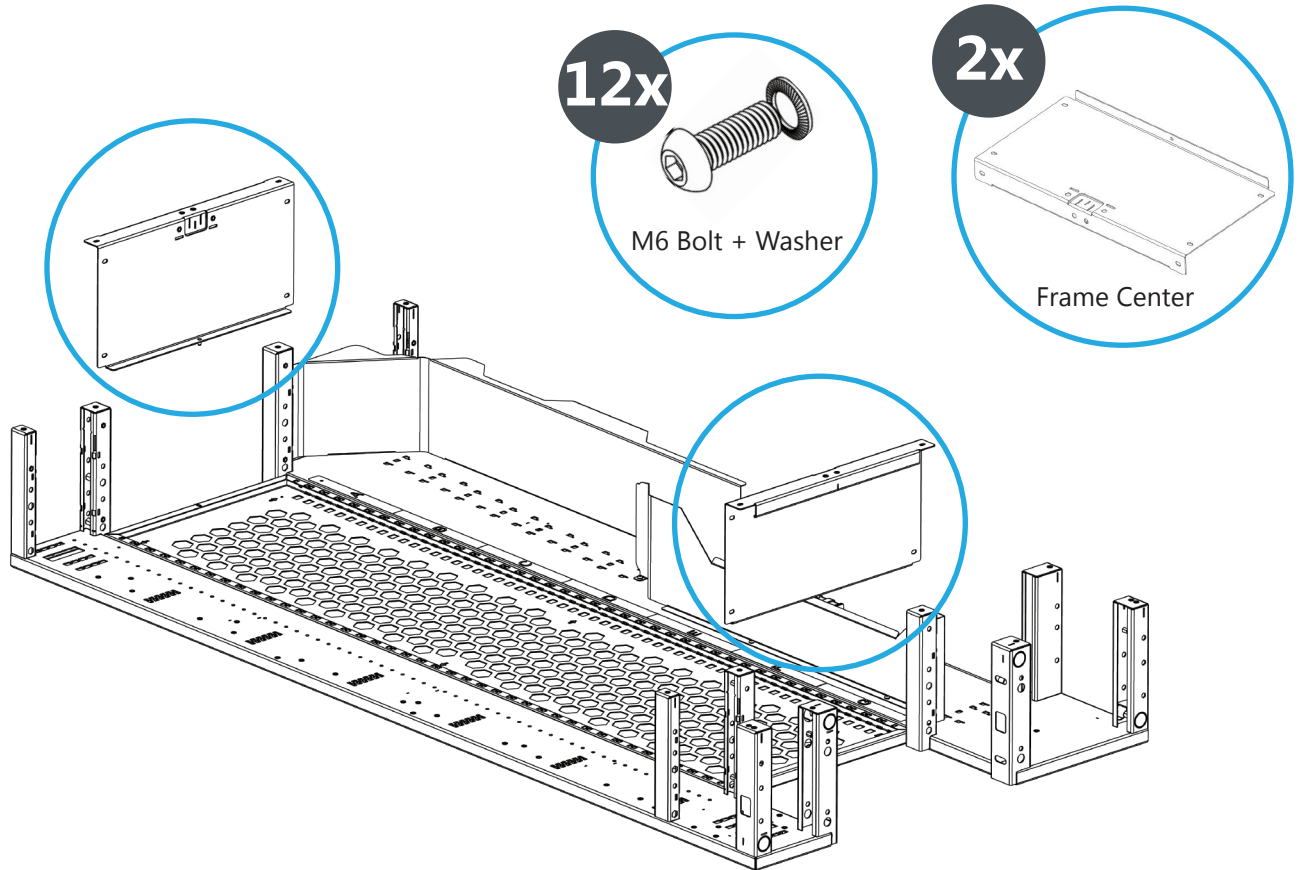
!Start with the 2 middle bolts.

!Make sure that the sideducts and backplate are aligned.

Positions for the bolts are indicated on the backplate with an arrow.

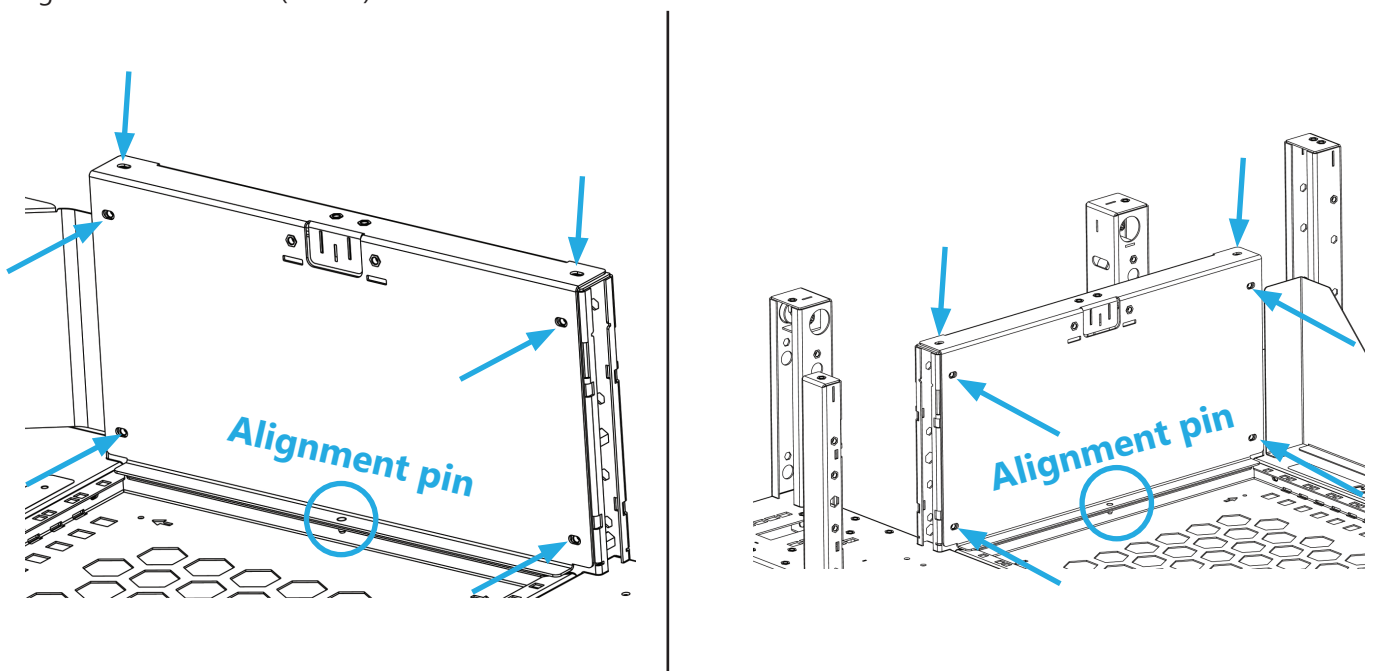


4. Frame Assembly - Step 3

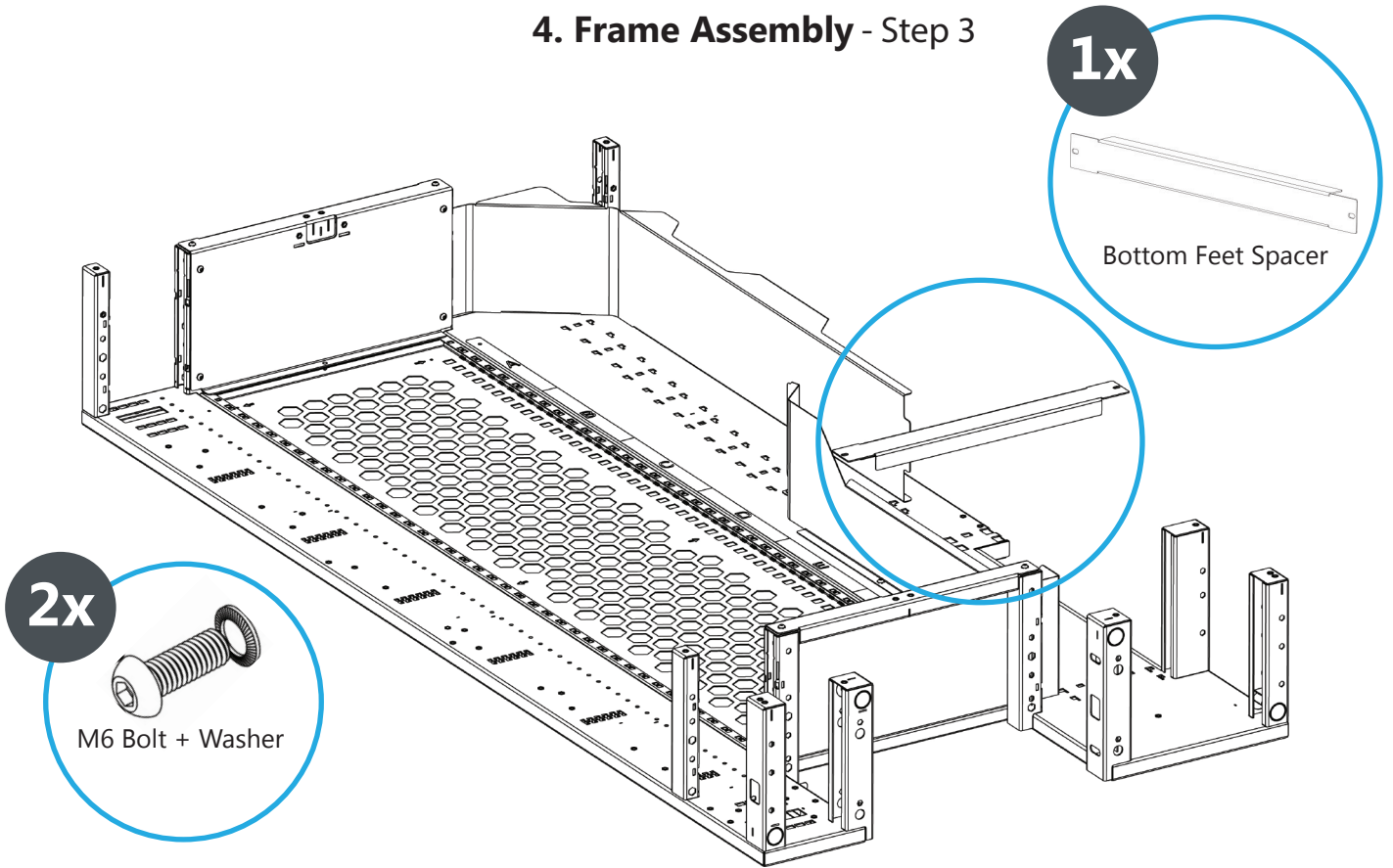


Step 3a:

Mount 2 Frame Centers (6 bolts+serrated washers/center). Use the alignment feature first (circled).

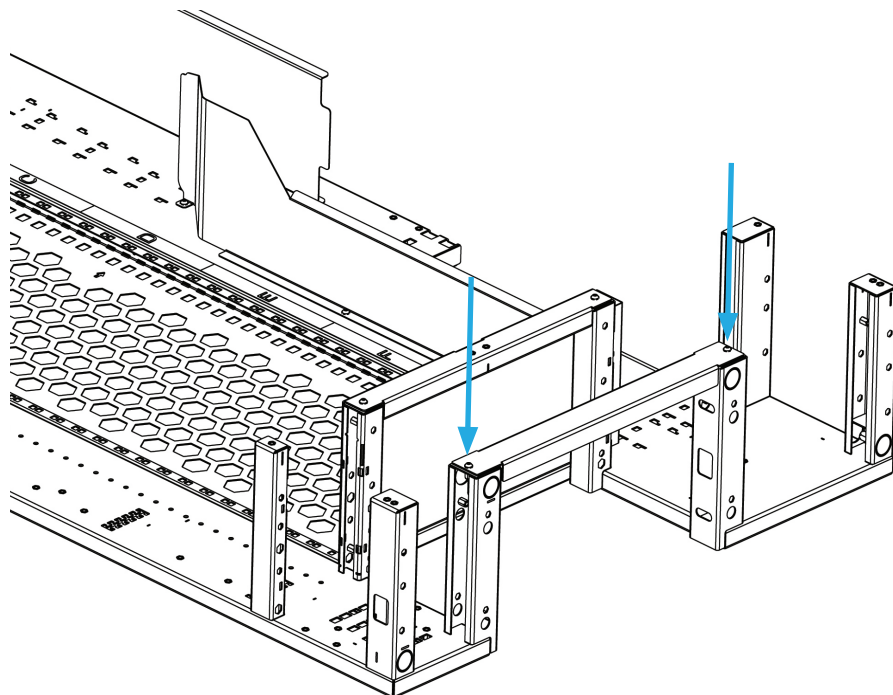


4. Frame Assembly - Step 3

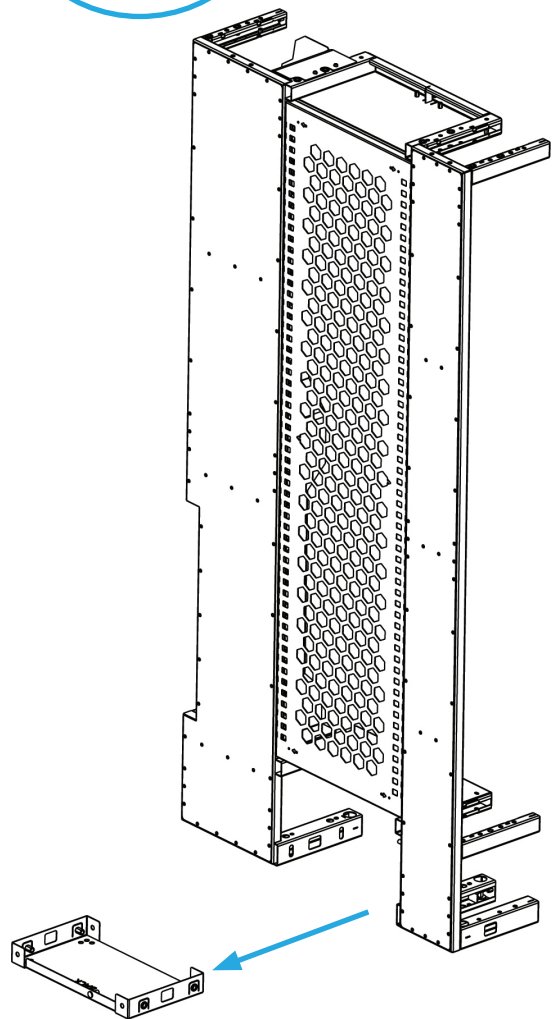
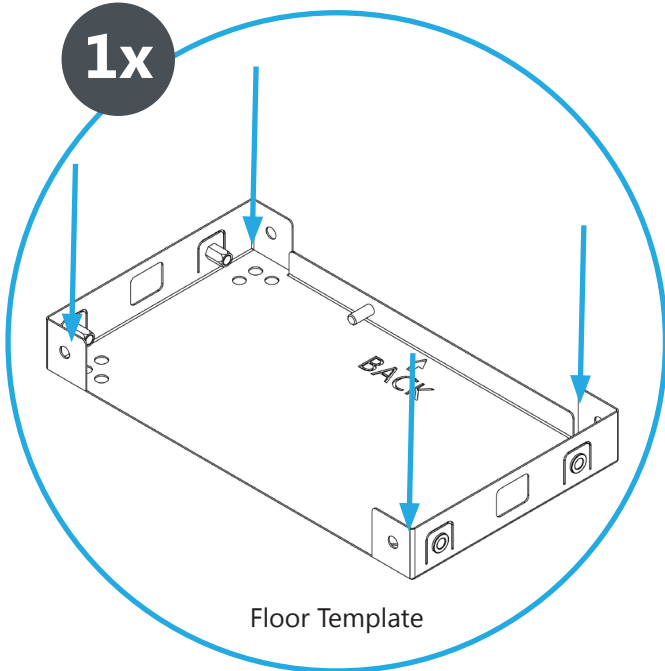


Step 3b:

Mount the bottom feet spacer (2 bolts+serrated washers).



4. Frame Assembly - Step 4



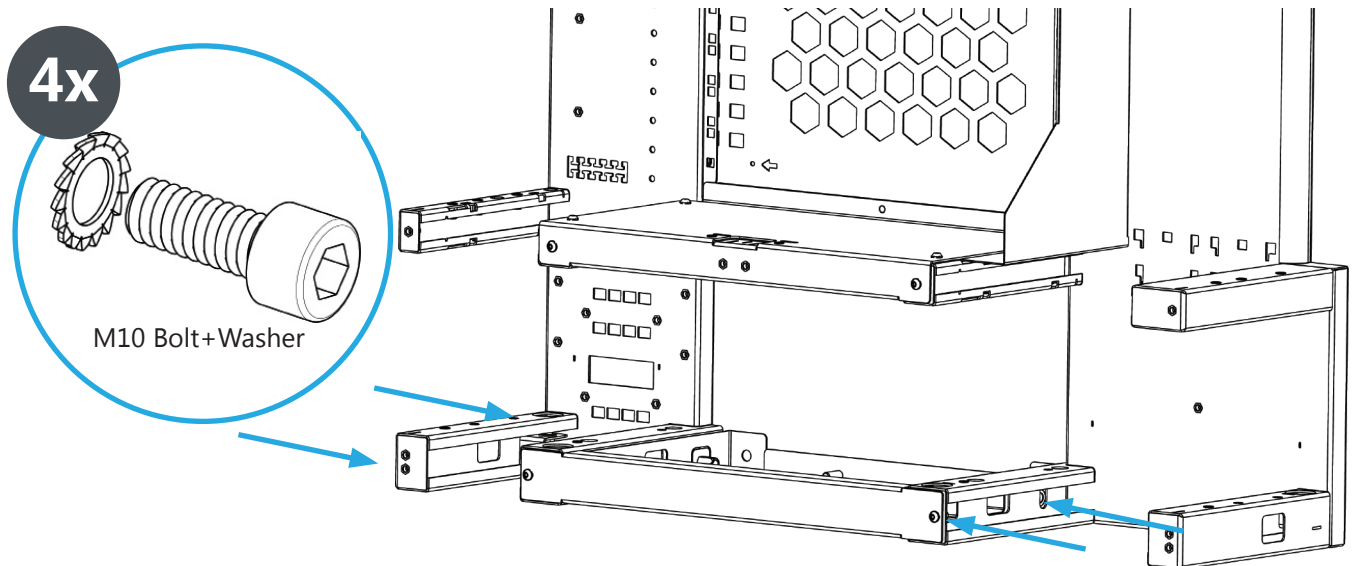
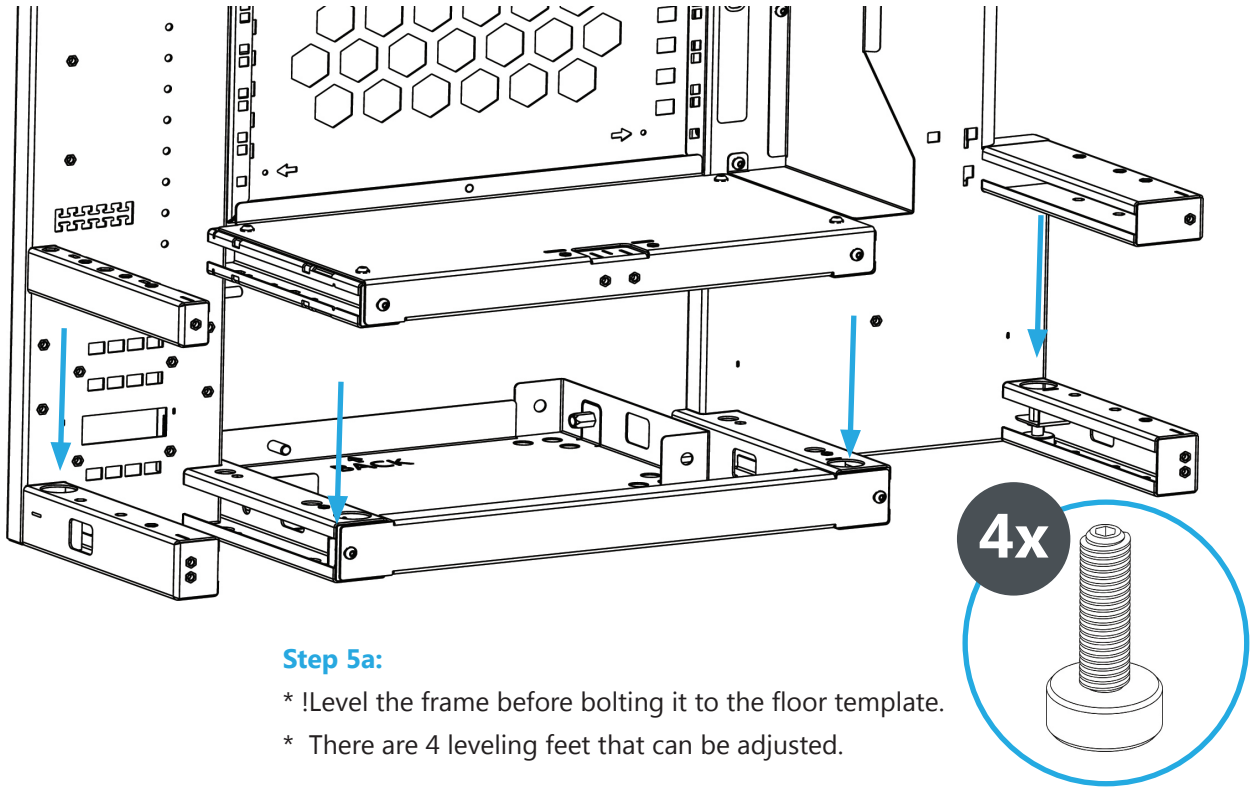
Step 4a:

- * Place the floor template and bolt it to the floor, but don't tighten it yet.
- * The bolts that are used to mount the floor template are not included.

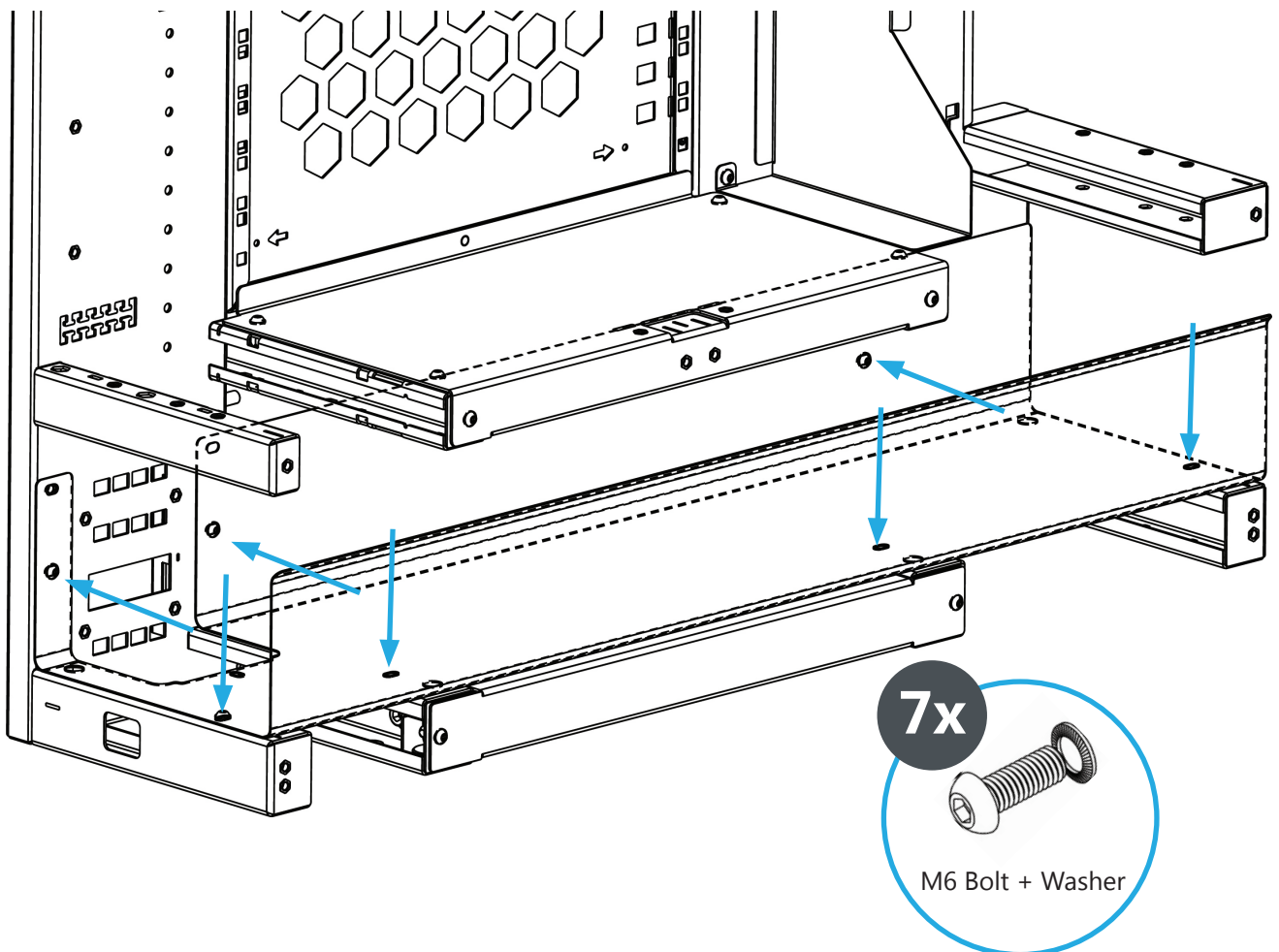
Step 4b:

- * Lift the frame and slide it over the floor template
- * ! It requires 2 installers as it is a heavy frame.

4. Frame Assembly - Step 5



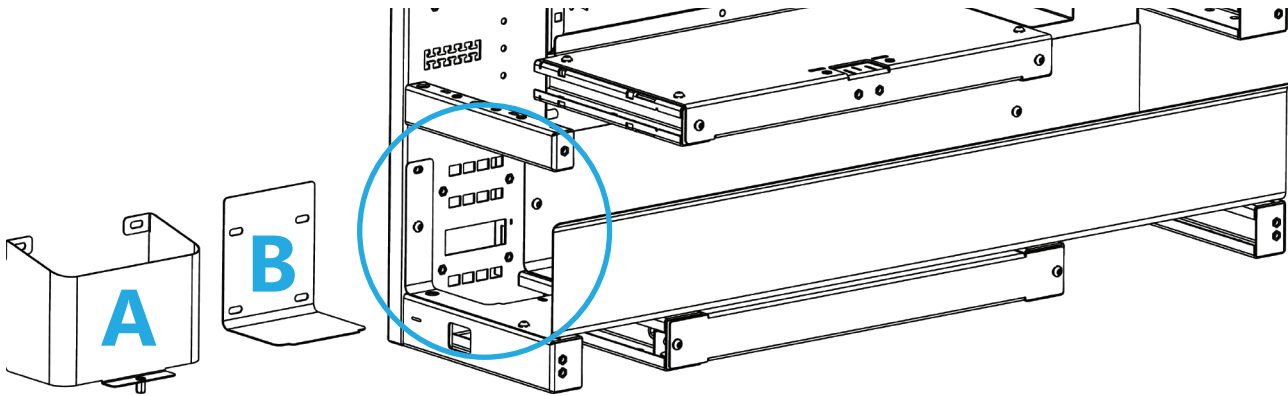
5. Bottom Through Assembly - Step 6



Step 6:

* Mount the bottom through, using 7x M6 bolts + serrated washers.

5. Bottom Through Assembly - Step 7

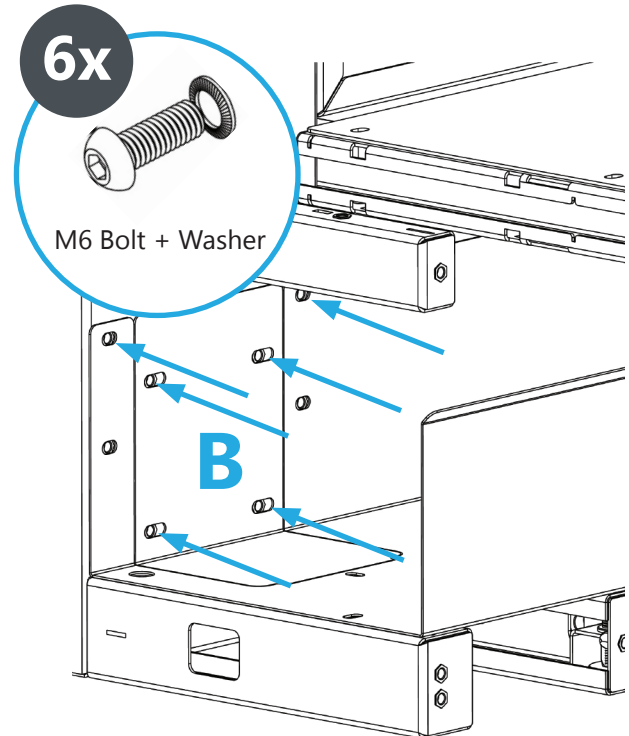
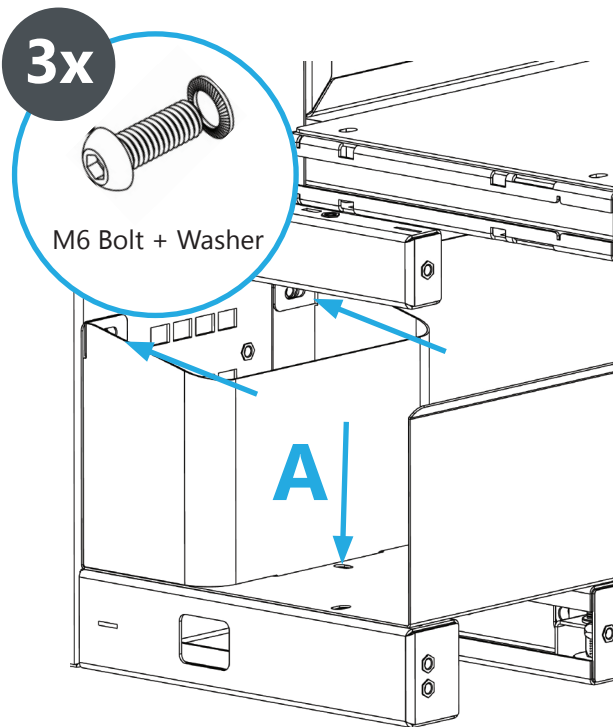


Step 7:

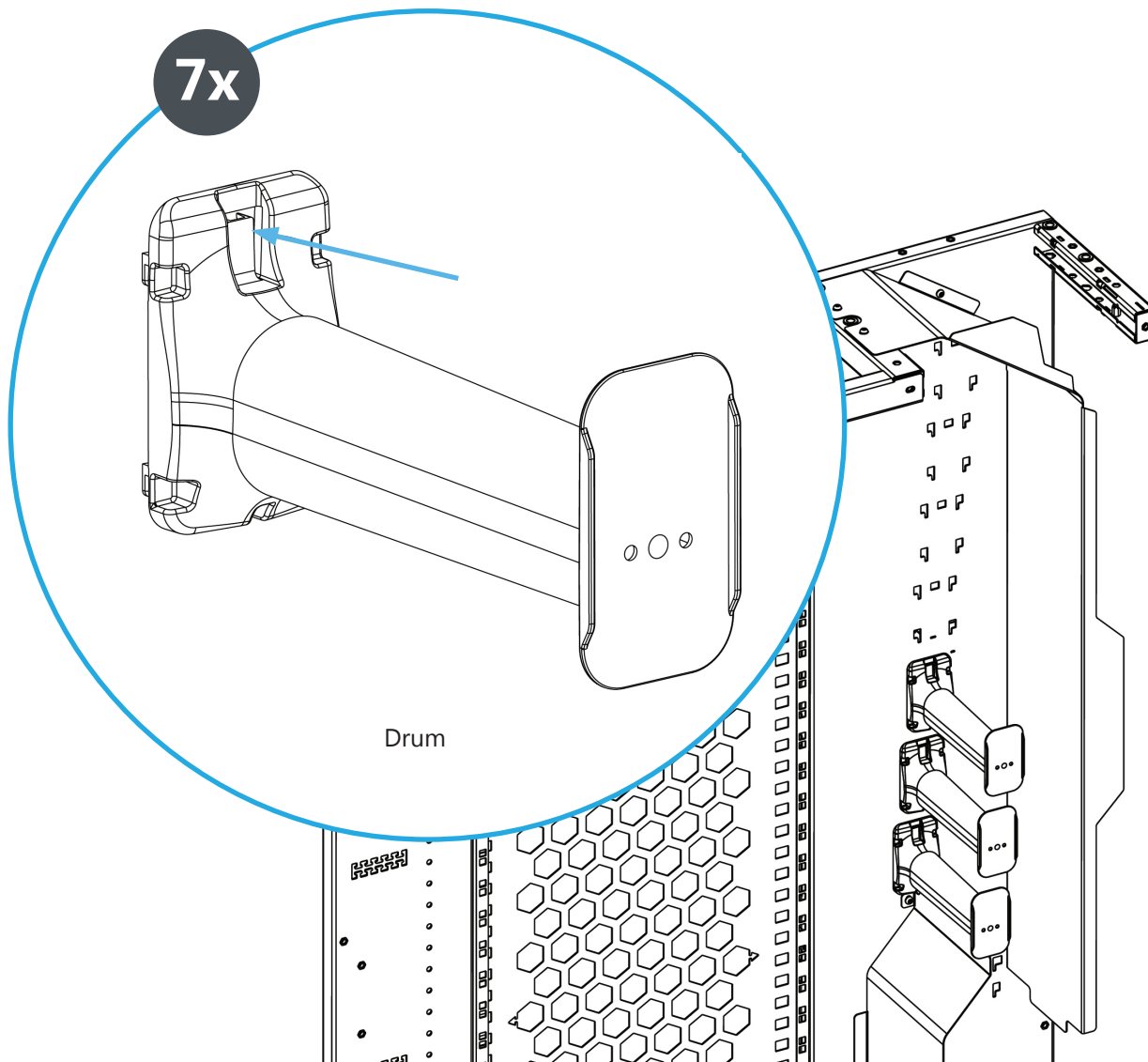
Select and mount the bottom through plate.

* "A" if cables are entering the frame from the bottom.

* "B" if no cables are entering the frame from the bottom (full bottom through depth is used).



6. Routing Parts Assembly - Step 8



Step 8:

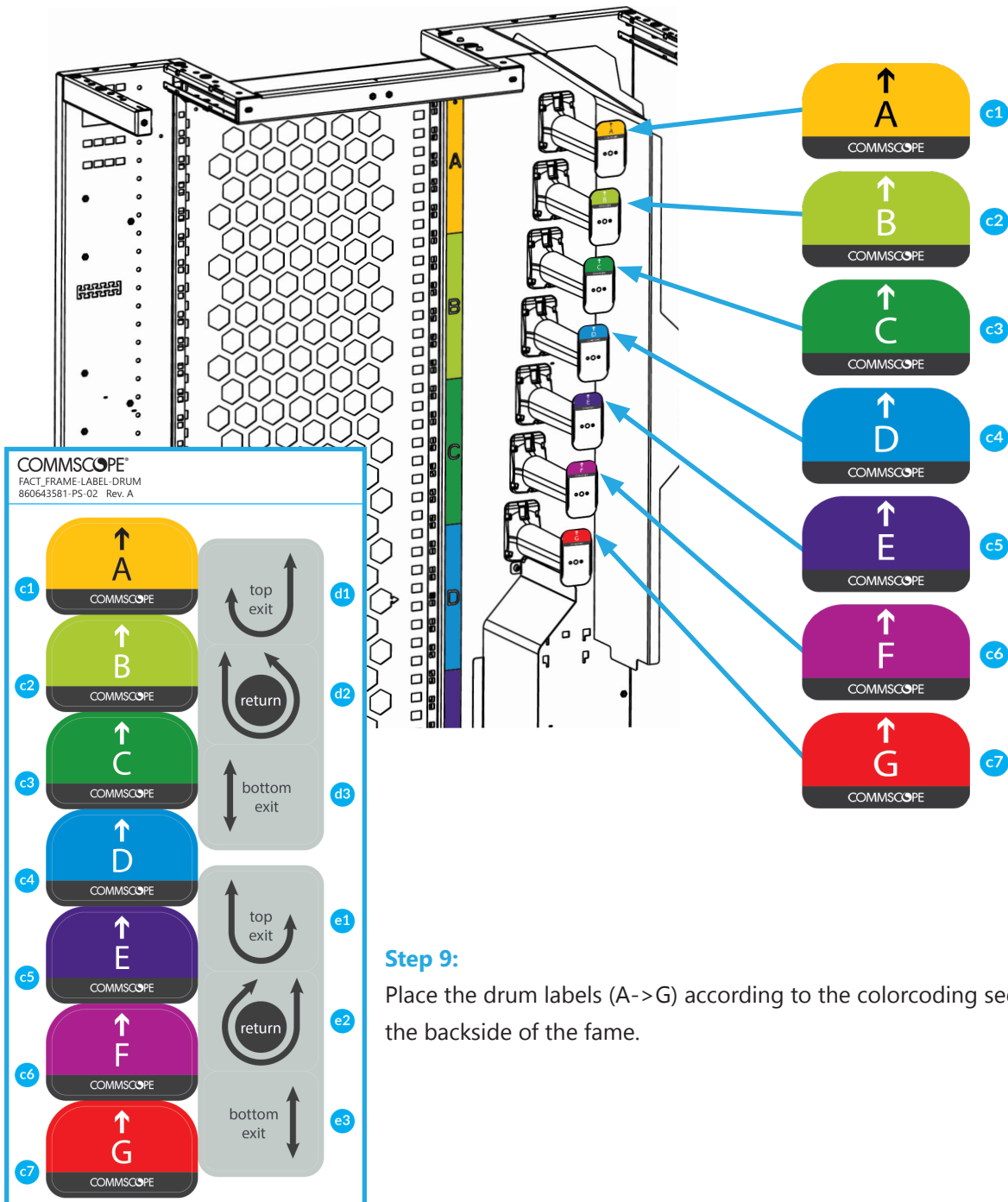
* To mount a drum:

Push the drum through the openings (pattern).
Slide down the drum until it's fully "clicked".

* To release a drum:

Pull back the snap hook (as indicated with the arrow) and lift the drum out.

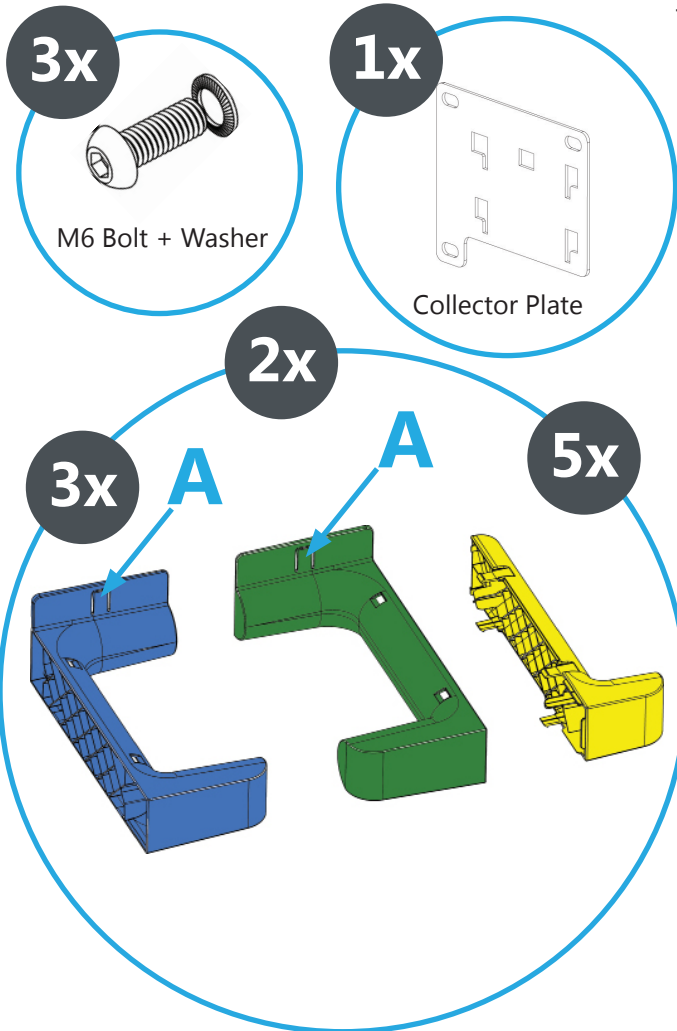
7. Frame Labeling - Step 9



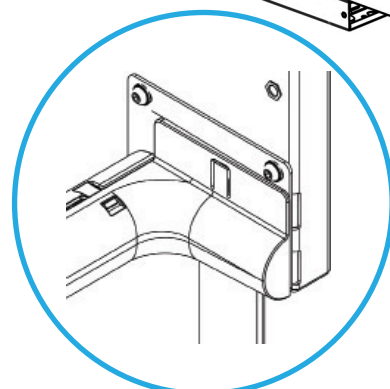
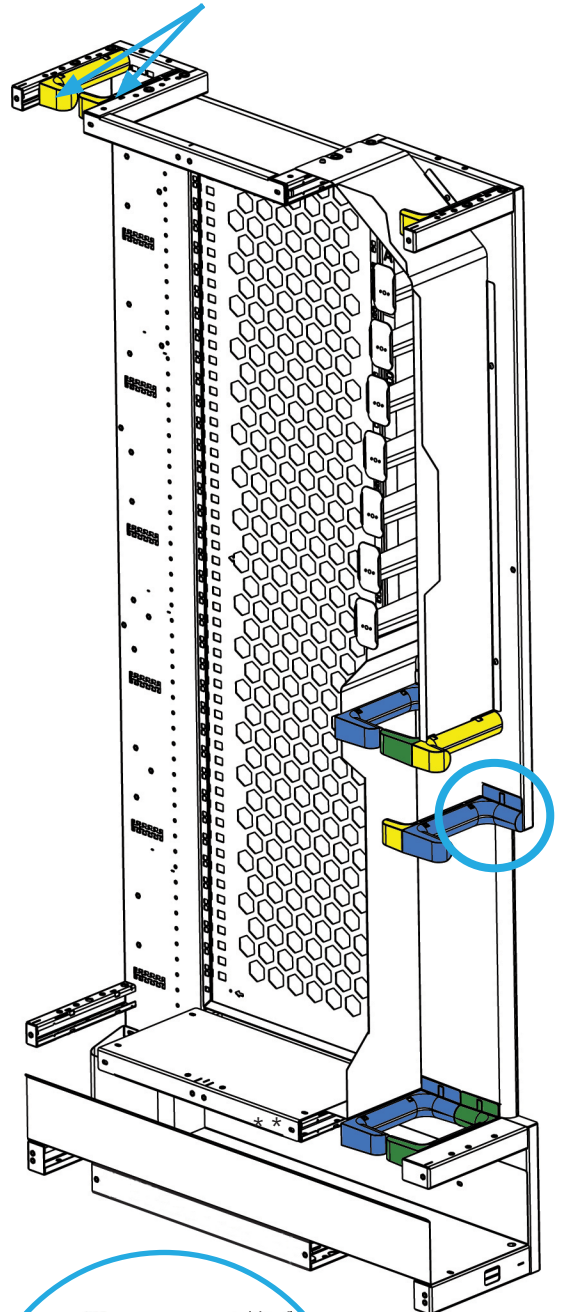
Step 9:

Place the drum labels (A->G) according to the colorcoding sequence at the backside of the frame.

7. Frame Labeling - Step 10



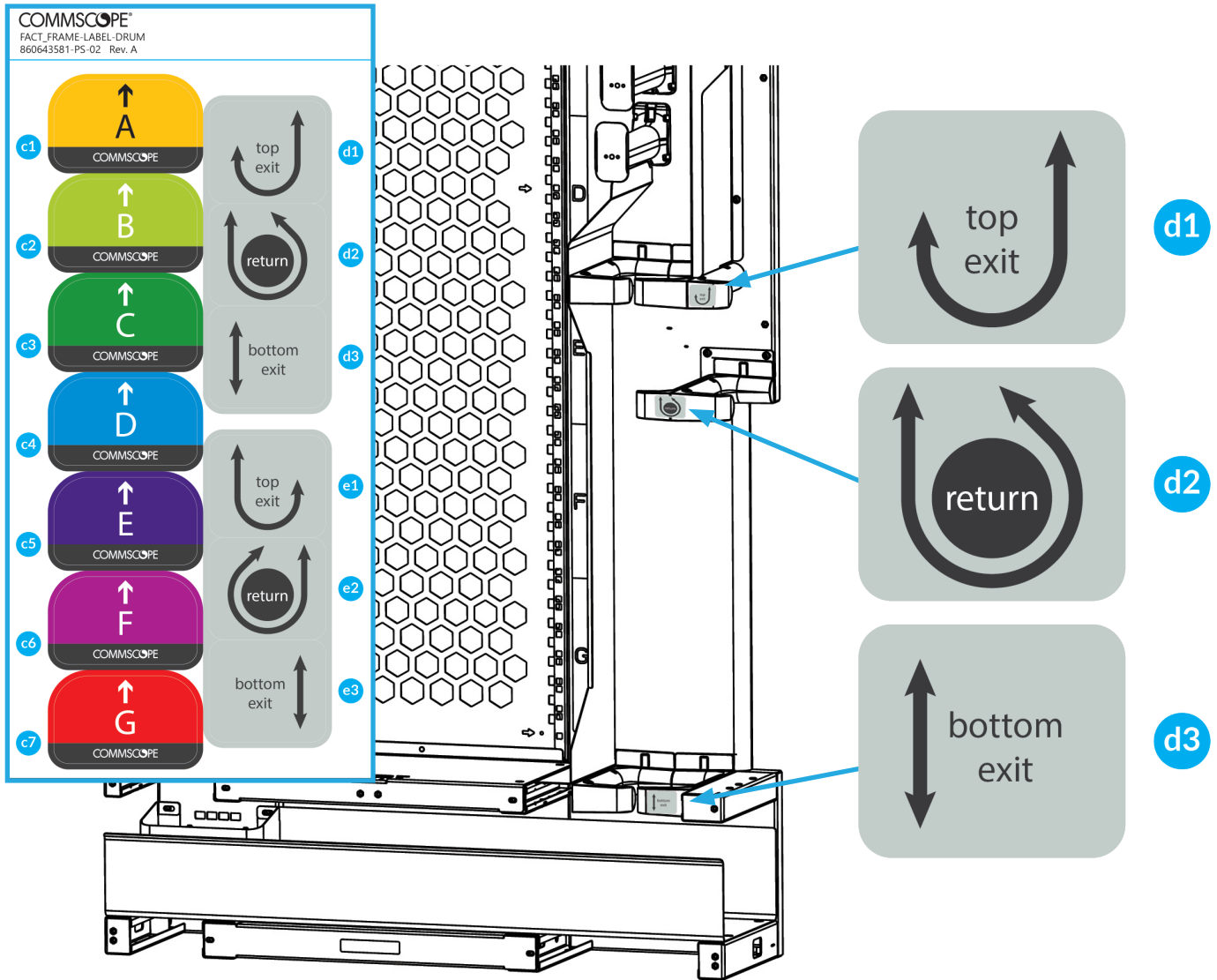
These are optional (only if jumpers enter from the top).



Step 10:

- * Mount the collector plate (adjustable for side to side alignment).
- * Mount the jumper collectors:
 - Push the collector through the openings (pattern).
 - Slide down the collector until it's fully "clicked".
- * One "collector left" has to be mounted on the collector plate.
- *To release a collector:
 - Pull back the snap hook (as indicated with the arrow "A") and lift the collector out.

7. Frame Labeling - Step 11

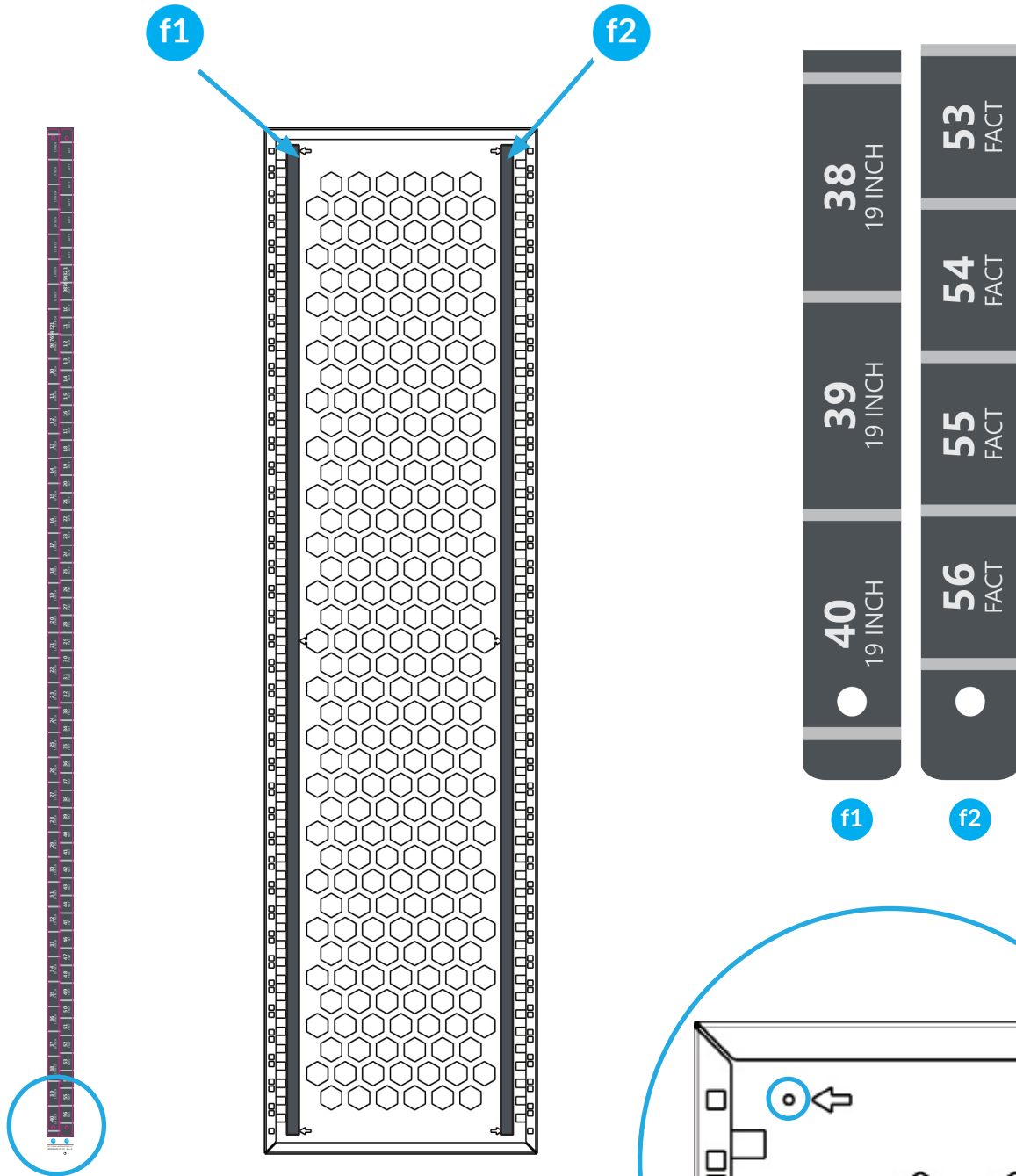


Step 11:

* Place the collector labels as illustrated.

* Do not use e1 - e2 - e3.

7. Frame Labeling - Step 12



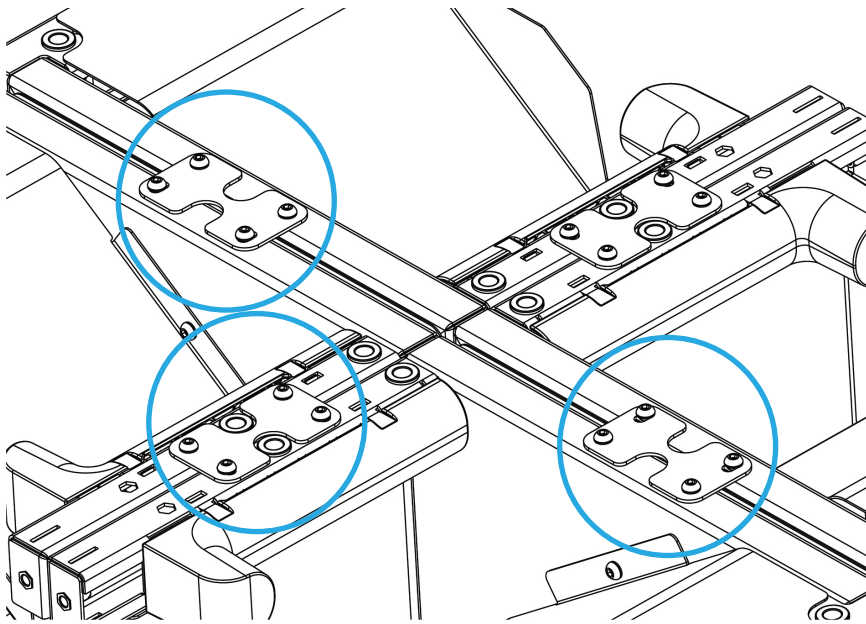
Step 12 (optional):

Place numbering labels (orientation according to preference):

- * f1: 19" numbering
- * f2: FACT numbering

* Use alignment holes for proper alignment of the labels.

8. Side To side Mount / Back To Back Mount

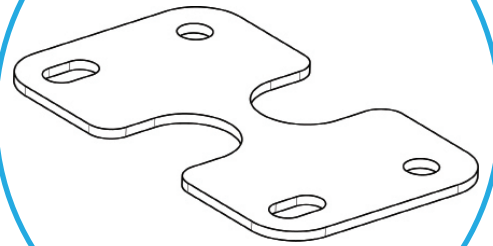


16x

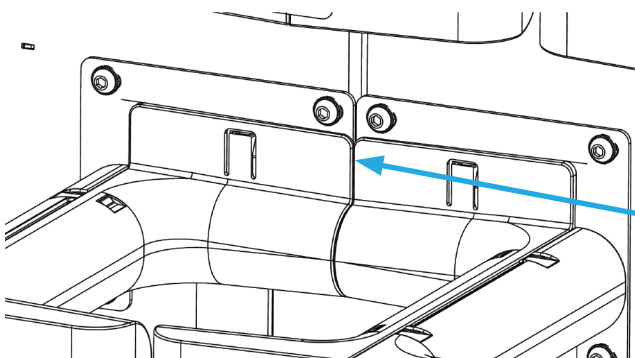
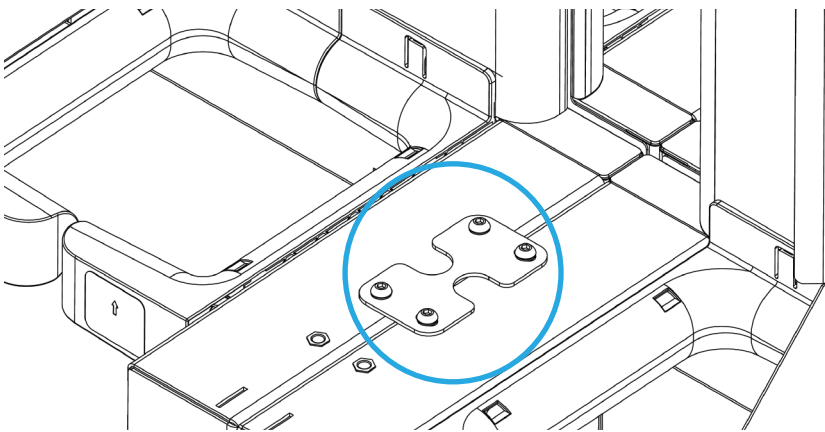


M6 Bolt + Washer

4x

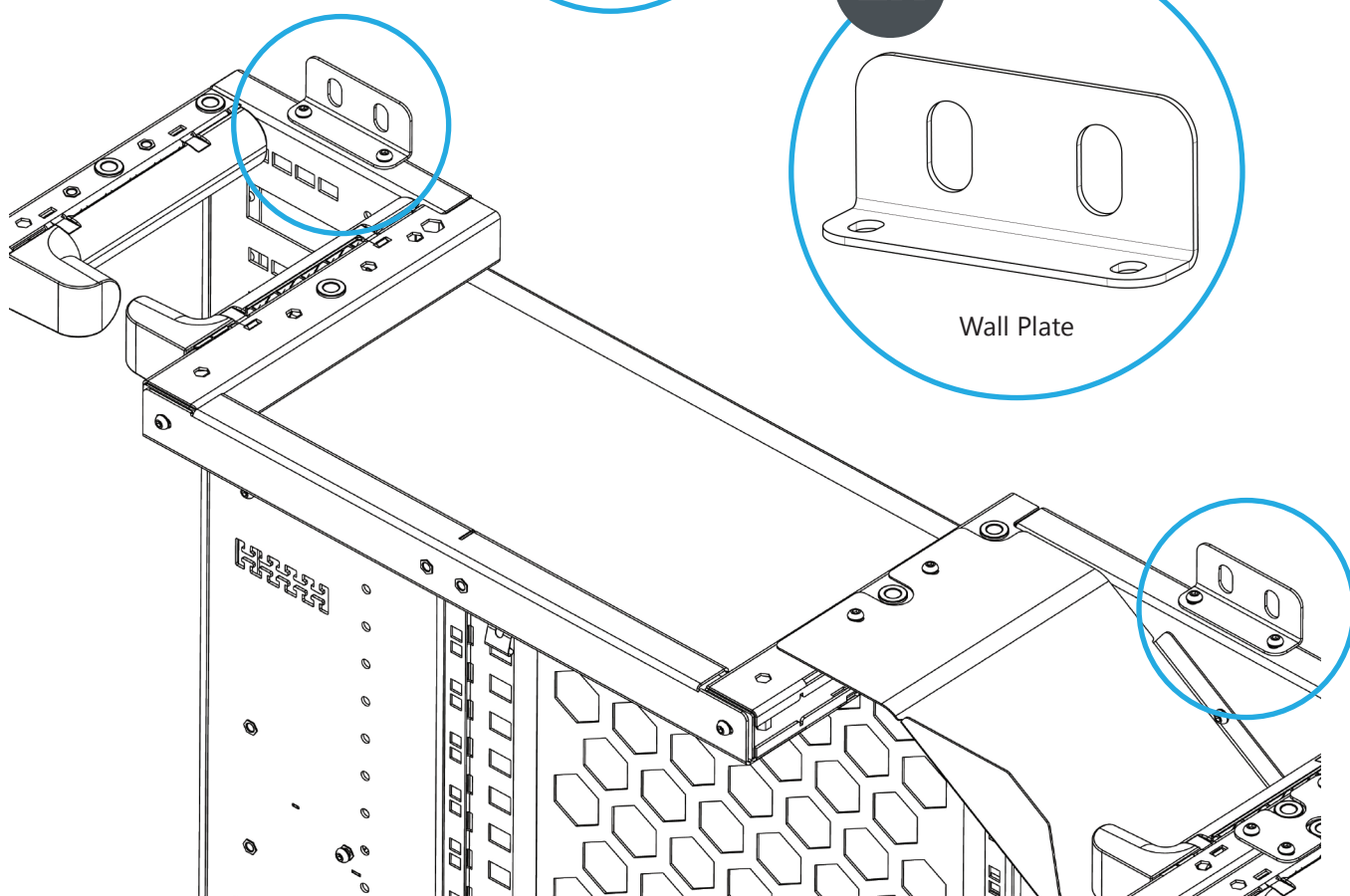
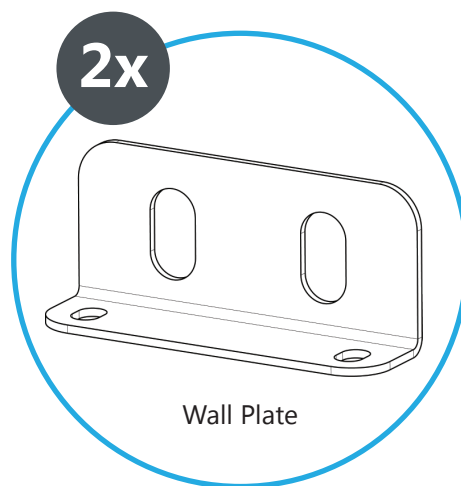
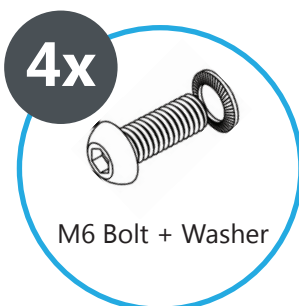


Connection Plate



!Don't forget to align the collector plates (so there is no gap between these plates!).

9. Wall Mount



10. Trade-marks:

All trademarks identified by ® or ™ are registered trademarks or trademarks, respectively, of CommScope, Inc. This document is for planning purposes only and is not intended to modify or supplement any specifications or warranties relating to CommScope products or services. CommScope is committed to the highest standards of business integrity and environmental sustainability, with a number of CommScope's facilities across the globe certified in accordance with international standards, including ISO9001, TL 9000, and ISO 14001. Further information regarding CommScope's commitment can be found at:
www.commscope.com/About-Us/Corporate-Responsibilityand-Sustainability.

11. Contact Information:

Visit our website or contact your local CommScope representative for more information.

For technical assistance, customer service, or to report any missing/damaged parts, visit us at:

<http://www.commscope.com/SupportCenter>

This product is covered by one or more U.S. patents or their foreign equivalents. For patents, see

www.commscope.com/ProductPatent/ProductPatent.aspx

© 2019 Commscope,
Inc. All Rights Reserved