

IFEB30, Indoor Fiber Optic Wall mount Enclosure, Splice Only, Single Element Slim trays(28) Smouv, No cable Seals, RAL 9010

- Compact, wall mountable fiber enclosures for indoor use
- Specifically designed for fast FTTH deployment and easy customer connection
- Configurable as splice only or connectorized solution
- Multiple and modular wrap around cable port sealing options to suit a wide range of cables
- Easy intergration of 900µm connectorised or 250µm splice splitters
- Single Element (SE), Single Slim Element (SLE) or Single Circuit (SC) tray options - Smouv and ANT
- Powered by NOVUX™

Product Classification

Regional Availability	EMEA
Portfolio	CommScope®
Product Type	Fiber wall box
Product Series	IFEB-30

General Specifications

Functionality	Splicing
Access	Front
Adapter Ports, quantity	0
Cable Ports, quantity	0
Drop Port, quantity	0
Enclosure Color	Pure White (RAL 9010)
Front Cover Type	Snap-on cover
Interface	Splicing only
Pigtails Included, quantity	0
Splice Tray Construction	SLE (Slim element tray for up to 12 primary coated fibers)
Splicing Capacity, maximum	336
Splicing Type	SMOUV

Dimensions

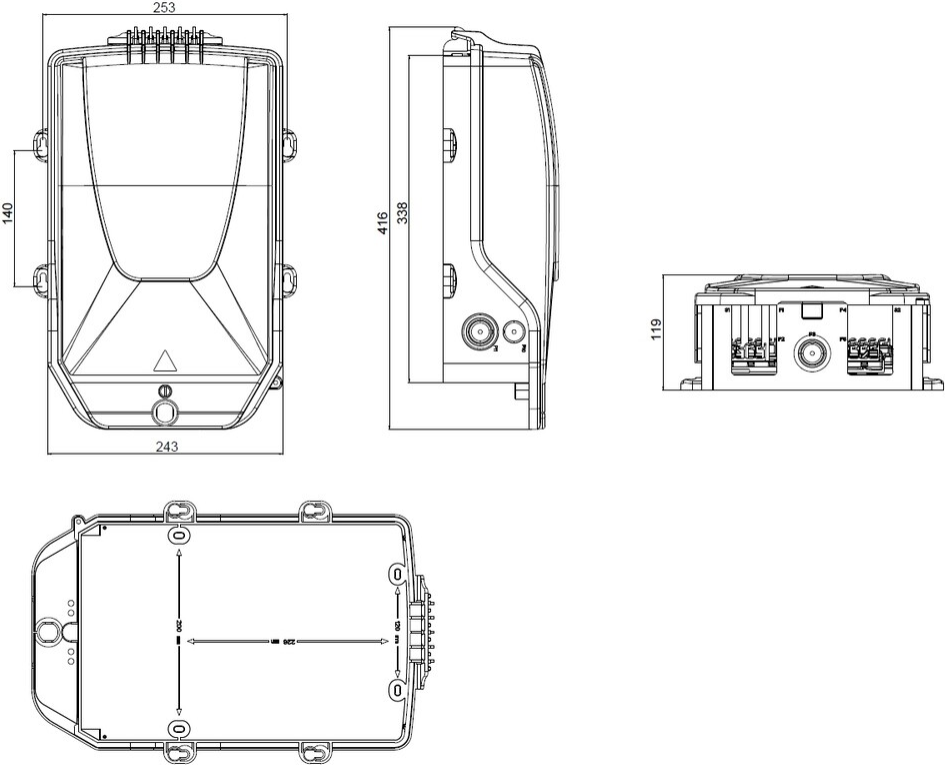
Height	340 mm 13.386 in
Height, with cover	420 mm 16.535 in

760259792 | IFEB-30WAN000C28SNNNNN000

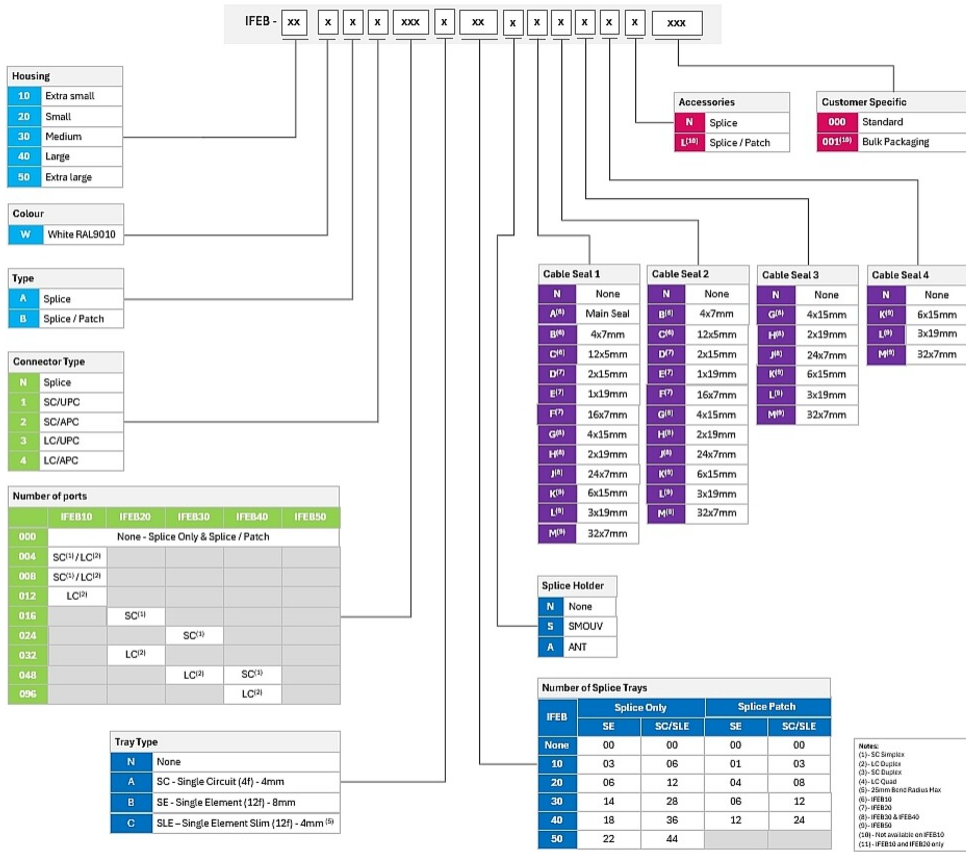
Width 240 mm | 9.449 in

Depth 120 mm | 4.724 in

Dimension Drawing



Ordering Tree



Environmental Specifications

Installation temperature	-5 °C to +45 °C (+23 °F to +113 °F)
Operating Temperature	-10 °C to +60 °C (+14 °F to +140 °F)
Environmental Space	Indoor
Flammability Rating	UL 94 V-0
Qualification Standards	IEC 60529, IP50 IEC 61753-1 Ed.2 2018 - Category C

Packaging and Weights

Included	Box (1) Port blanking plates (2) SLE Smouv trays (28)
Packaging quantity	1
Packaging Type	Box

Regulatory Compliance/Certifications

Agency	Classification
---------------	-----------------------

760259792 | IFEB-30WAN000C28SNNNNN000

CHINA-ROHS Below maximum concentration value

ROHS Compliant

UK-ROHS Compliant

