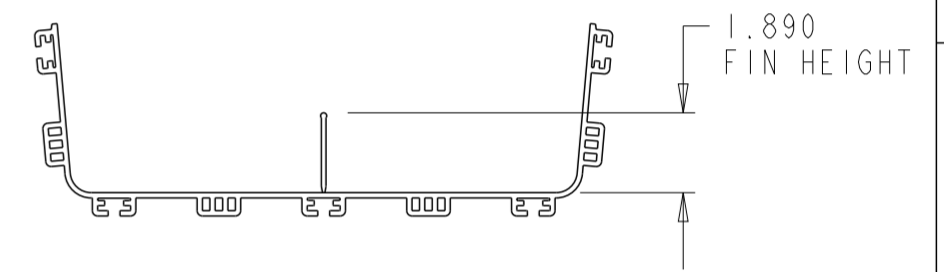
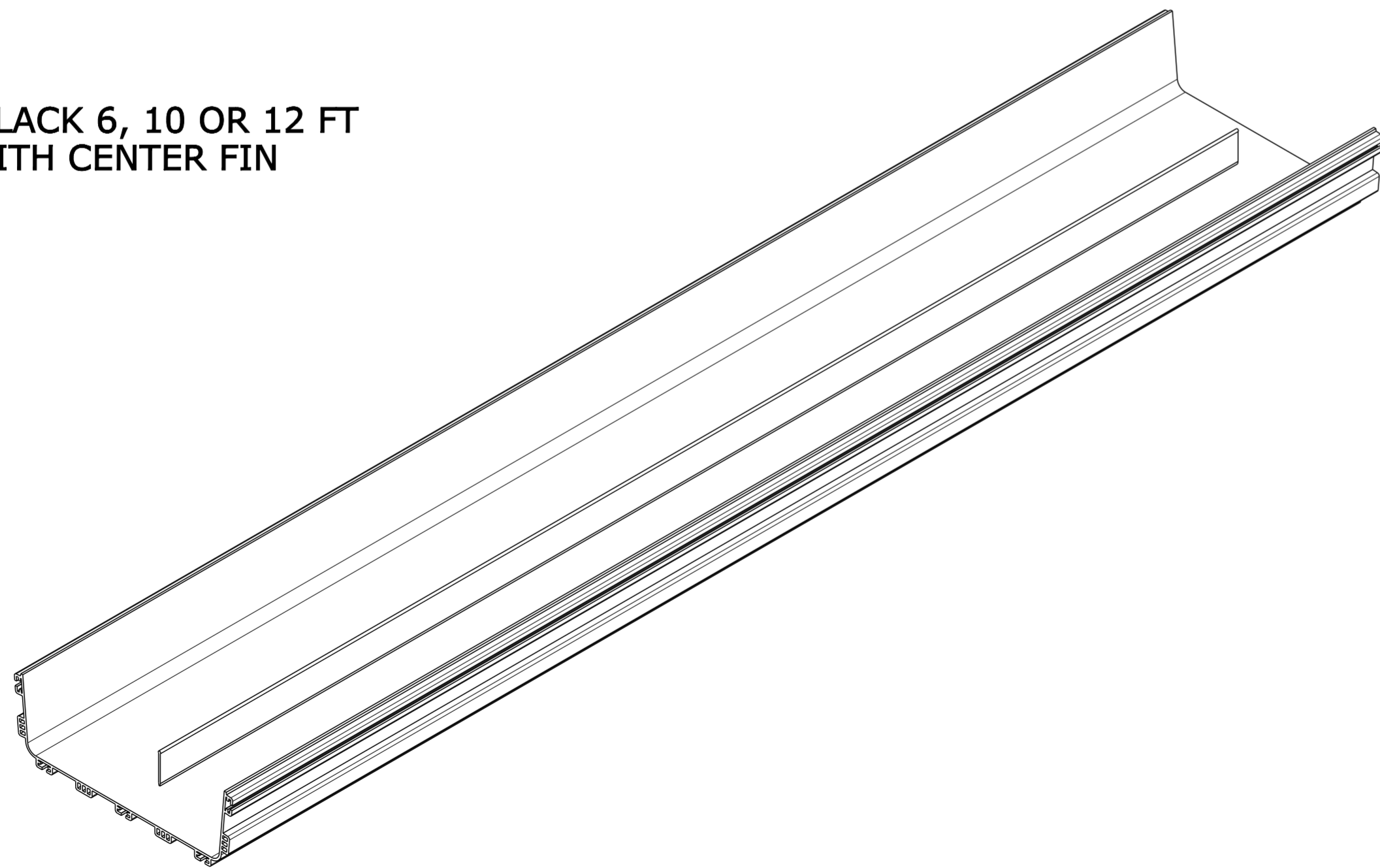


REVISIONS			
REV	CMO	DATE	APPROVED
B	40141276CMO	20-JAN-2022	RAT
C	40166852CMO	11-OCT-2023	RAT



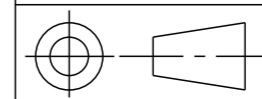
**4X12 BLACK 6, 10 OR 12 FT
WITH CENTER FIN**



SCALE 0.180

FGSB-MSHS-F-CF12	144.0"	139.5"
FGSB-MSHS-F-CF10	120.0"	115.5"
FGSB-MSHS-F-CF	72.00"	67.5"
CATALOG NUMBER	DIM "A"	DIM "B"

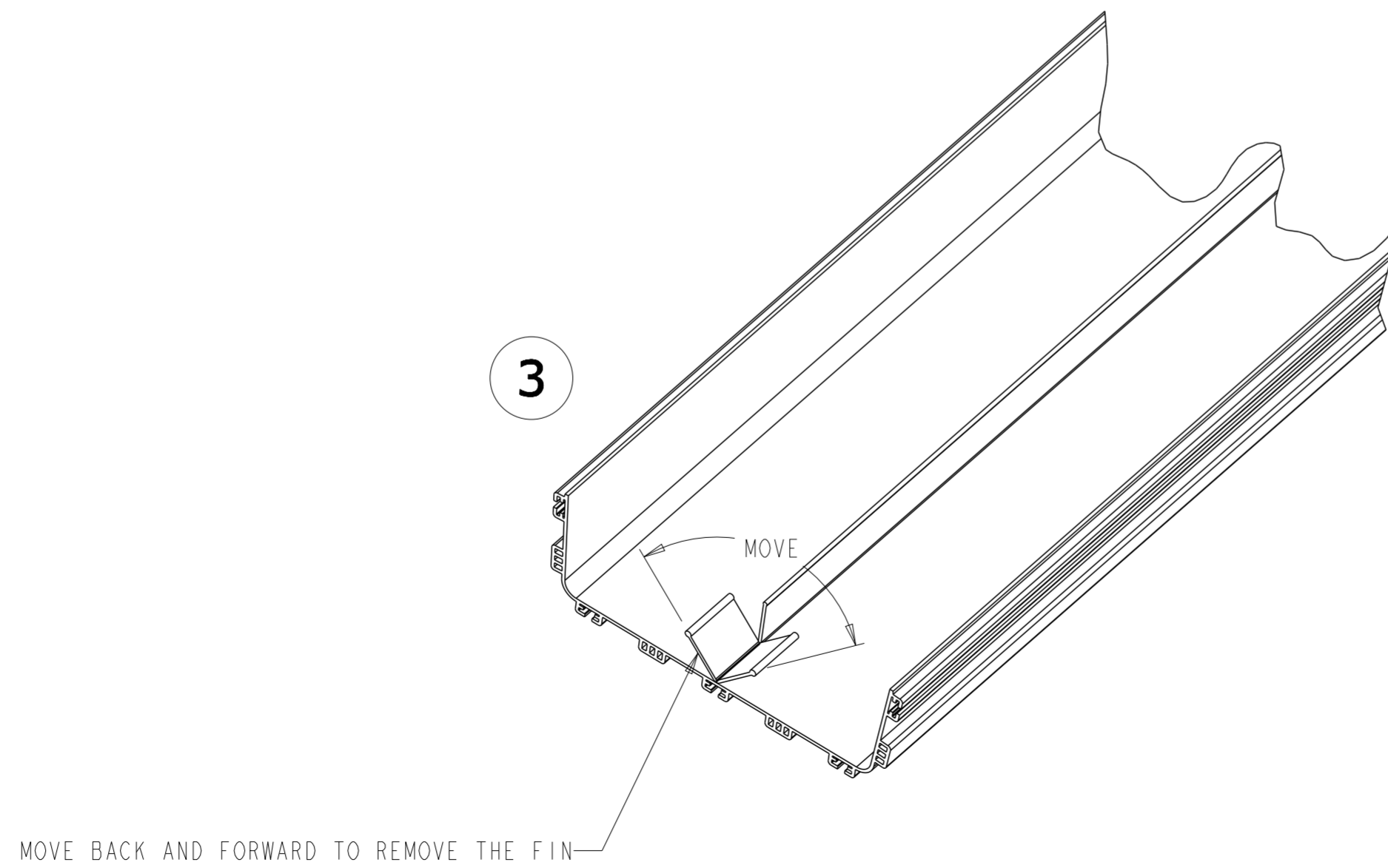
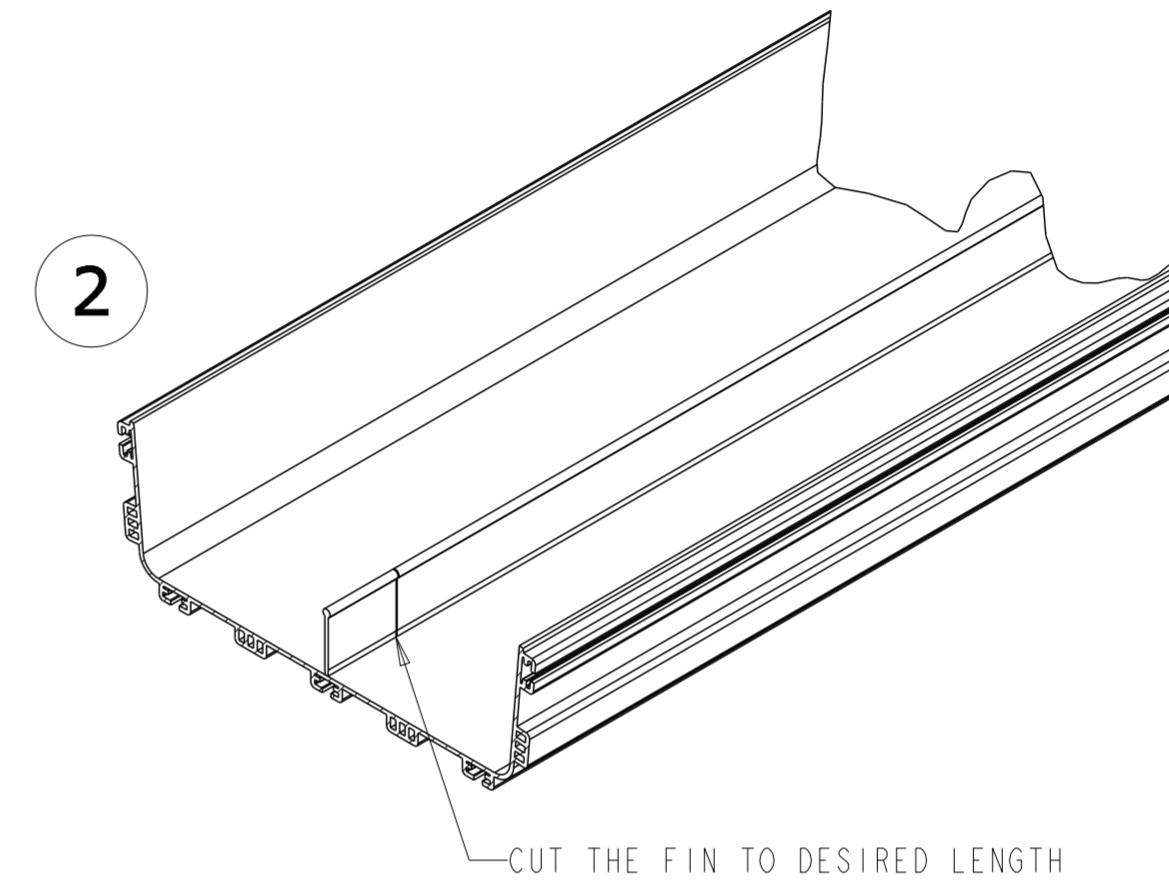
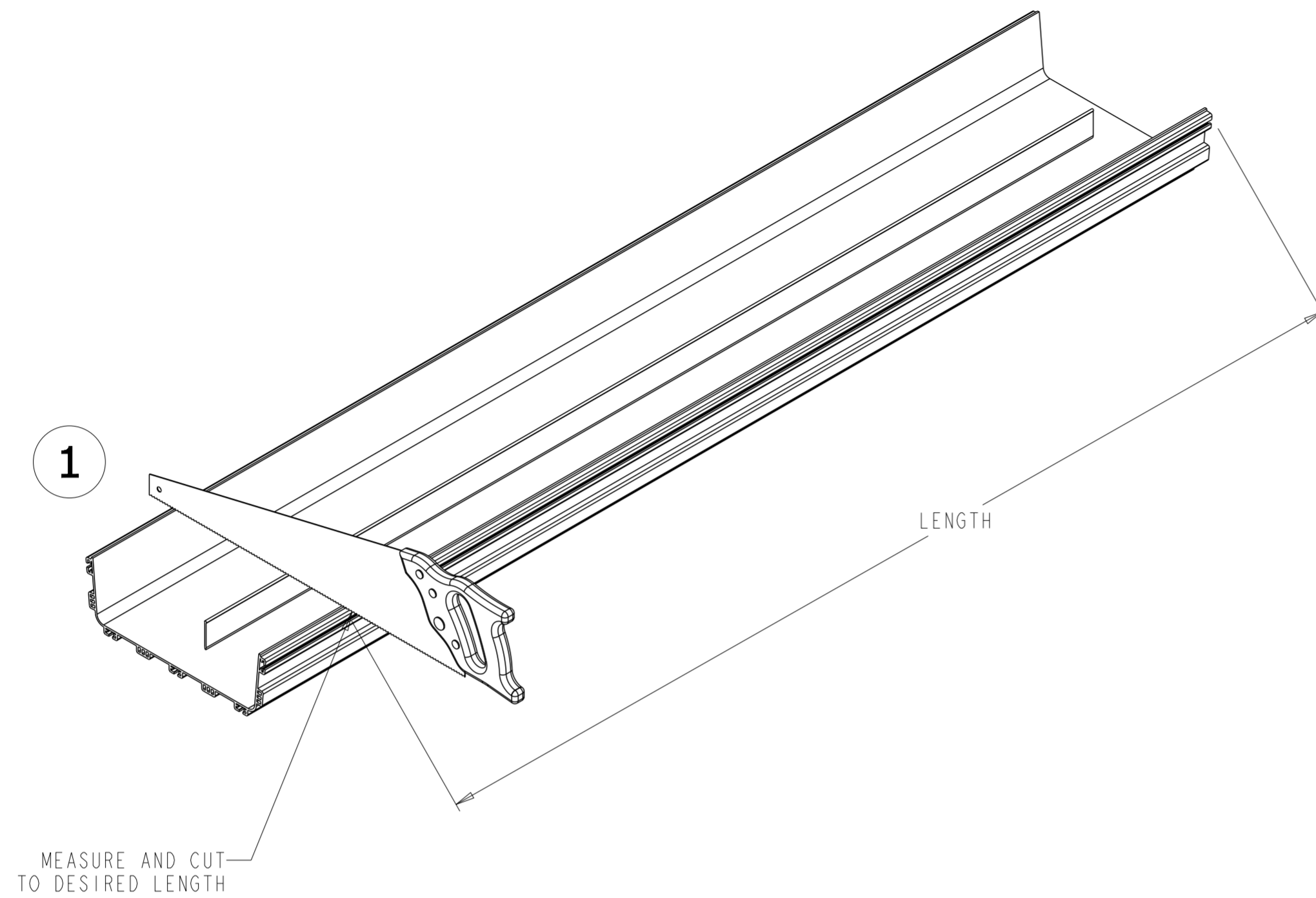
COMMSCOPE, INC.			
DRAFTER RUBEN ARVILLA	TITLE 4x12 BLACK W/CENTER FIN, FGS, INSTALL DWG		
ENGINEER RUBEN ARVILLA	SIZE A2	SCALE 0.077	DOCUMENT NO. 660105066
CUSTOMER DRAWING			REVISION C
			SHEET 1 OF 2



A
B
C
D
E
F
G
H

A
B
C
D
E
F
G
H

CUT STRAIGHT SECTIONS TO DESIRED LENGTH



COMMSCOPE, INC.			
DRAFTER RUBEN ARVILLA		TITLE STRAIGHT FGS, 4X12X6 FT, W/H, BLK,	
ENGINEER RUBEN ARVILLA		SIZE A2	SCALE 0.083
		DOCUMENT NO. 660105066	
		CUSTOMER DRAWING	
		REVISION C	SHEET 2 OF 2