

## RealFlex® 3 Fiber Optic Drop Cable Assembly, Stub to SC/APC , RBR Plenum, Ivory

- Allow for a fiber bend radius as small as 7.5 millimeters without changing attenuation characteristics, and improve the insertion loss (IL) performance for 90-degree bend locations
- Indoor/outdoor cable available in both riser and plenum cable types for use in residential, business or MDU (multiple dwelling unit) structures
- Cables can also be stapled, (using CommScope-approved staplers and staples), allowing fast and easy securing of cables to most surfaces
- Rugged 3-millimeter cable construction provides the flexibility and durability to withstand the most demanding applications

## Product Classification

<b>Regional Availability</b>	Latin America   North America
<b>Portfolio</b>	CommScope®
<b>Product Type</b>	Fiber drop cable assembly
<b>Product Brand</b>	RealFlex®
<b>Product Series</b>	MDC
<b>Ordering Note</b>	For custom cable assembly lengths, please contact your local CommScope representative

## General Specifications

<b>Cable Type</b>	Stapleable - Round
<b>Connector B, quantity</b>	1
<b>Color, boot B</b>	Green
<b>Color, connector B</b>	Green
<b>Interface, Connector A</b>	Unterminated
<b>Interface Feature, connector A</b>	Male
<b>Interface, Connector B</b>	SC/APC
<b>Jacket Color</b>	Ivory
<b>Total Fibers, quantity</b>	1
<b>Transmission Standards</b>	TIA/EIA-568-B.3

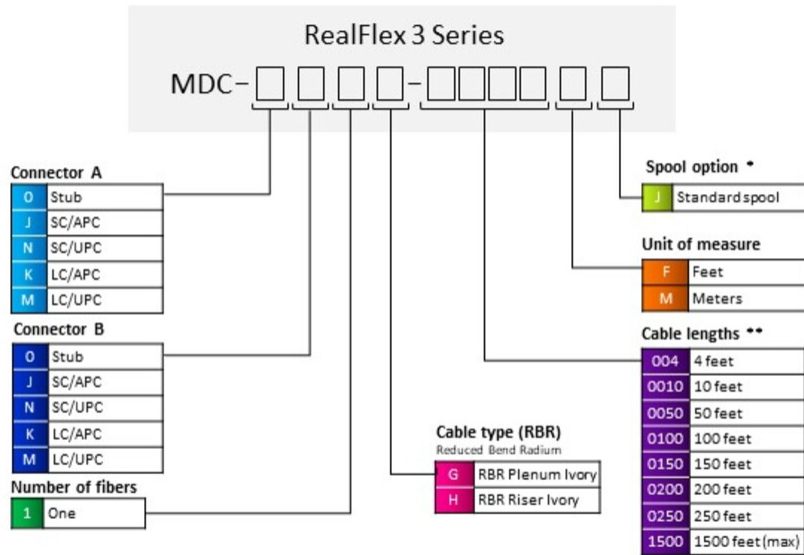
## Dimensions

<b>Cable Assembly Length Range (ft)</b>	1 – 1500
---	----------

# MDC-OJ1G

**Cable Outer Diameter** 2.9 mm (0.11 in)

## Ordering Tree



\*Drops are automatically coiled 0-350 ft. Lengths 351+ are automatically spooled. Connector A deploys first. Add option J if spool is required for lengths 350ft or less.  
\*\*Cable length shown as an example; additional cable lengths available upon request up to 1500 ft

## Mechanical Specifications

<b>Minimum Bend Radius, loaded</b>	50 mm   1.969 in
<b>Minimum Bend Radius, unloaded</b>	30 mm   1.181 in
<b>Tensile Load, long term, maximum</b>	30 N   6.744 lbf
<b>Tensile Load, short term, maximum</b>	100 N   22.481 lbf

## Optical Specifications

<b>Fiber Mode</b>	Singlemode
<b>Fiber Type</b>	G.657.A2/B2
<b>Insertion Loss, maximum, connector A</b>	0.4 dB
<b>Return Loss, minimum, connector A</b>	65 dB

## Environmental Specifications

# MDC-0J1G

---

<b>Installation temperature</b>	-20 °C to +60 °C (-4 °F to +140 °F)
<b>Operating Temperature</b>	-40 °C to +70 °C (-40 °F to +158 °F)
<b>Storage Temperature</b>	-40 °C to +75 °C (-40 °F to +167 °F)
<b>Environmental Space</b>	Plenum
<b>Qualification Standards</b>	Telcordia GR-449-CORE
<b>Packaging and Weights</b>	
<b>Packaging quantity</b>	1