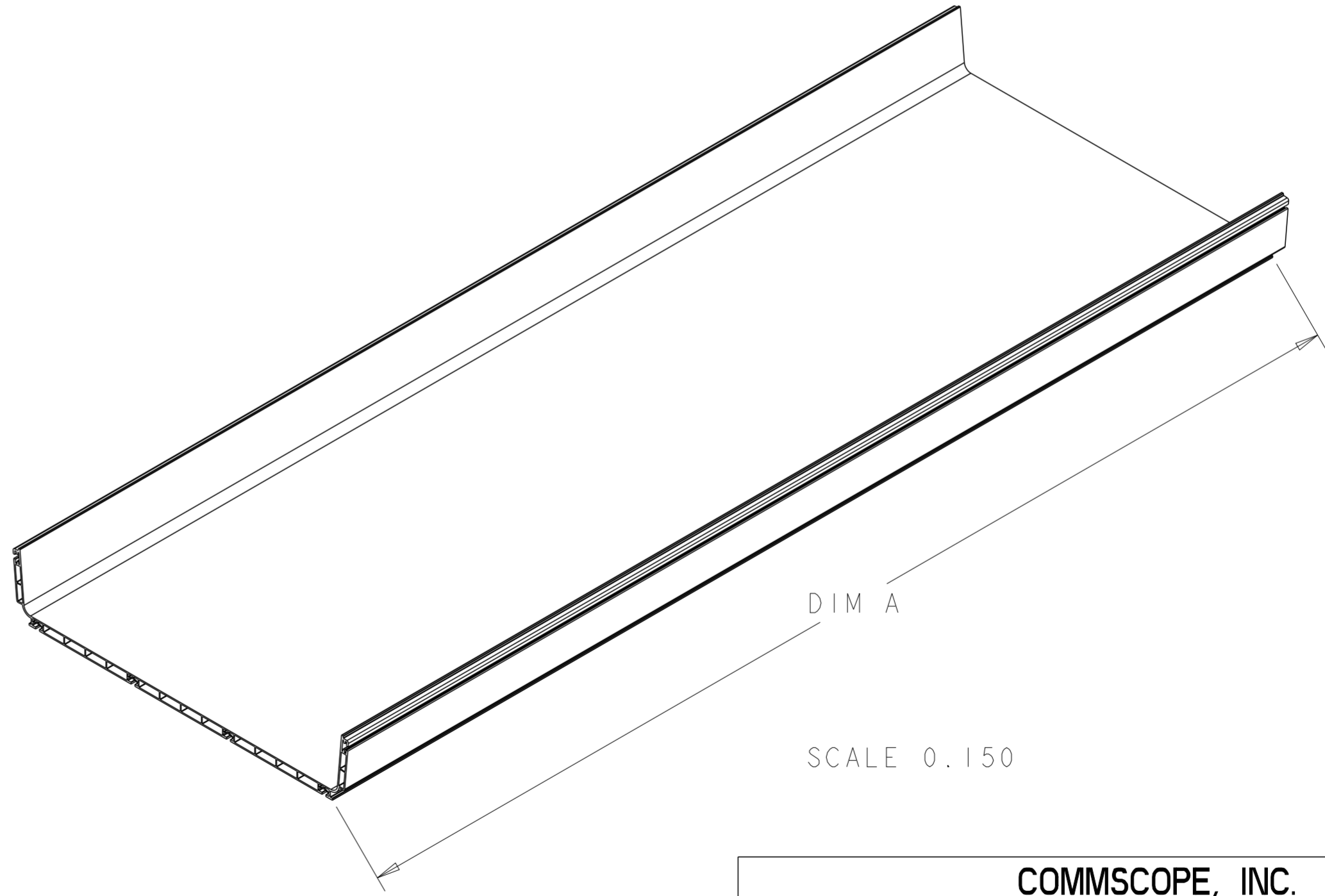
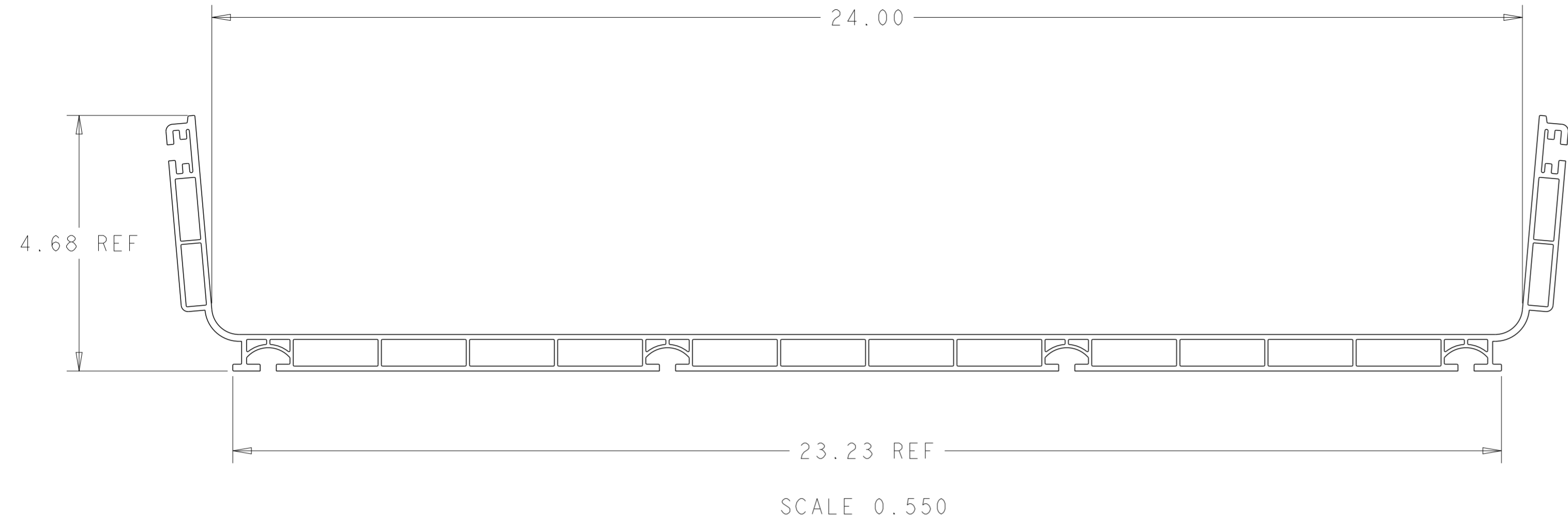


REVISIONS			
REV	CMO	DATE	APPROVED
A	40215677CMO	05-MAR-2025	RAT



FGSB-MSHS-H12	BLACK	144.00"
FGS-MSHS-H12	YELLOW	144.00"
FGSB-MSHS-H10	BLACK	120.00"
FGS-MSHS-H10	YELLOW	120.00"
FGSB-MSHS-H	BLACK	72.00"
FGS-MSHS-H	YELLOW	72.00"
CATALOG NUMBER	COLOR	DIM A

COMMSCOPE, INC.			
DRAFTER RUBEN ARVILLA		TITLE INST DRW, STRAIGHT SECTION 4X24, FGS	
ENGINEER RUBEN ARVILLA	SIZE A2	SCALE 0.063	DOCUMENT NO. 660106519
CUSTOMER DRAWING			REVISION A
			SHEET 1 OF 1