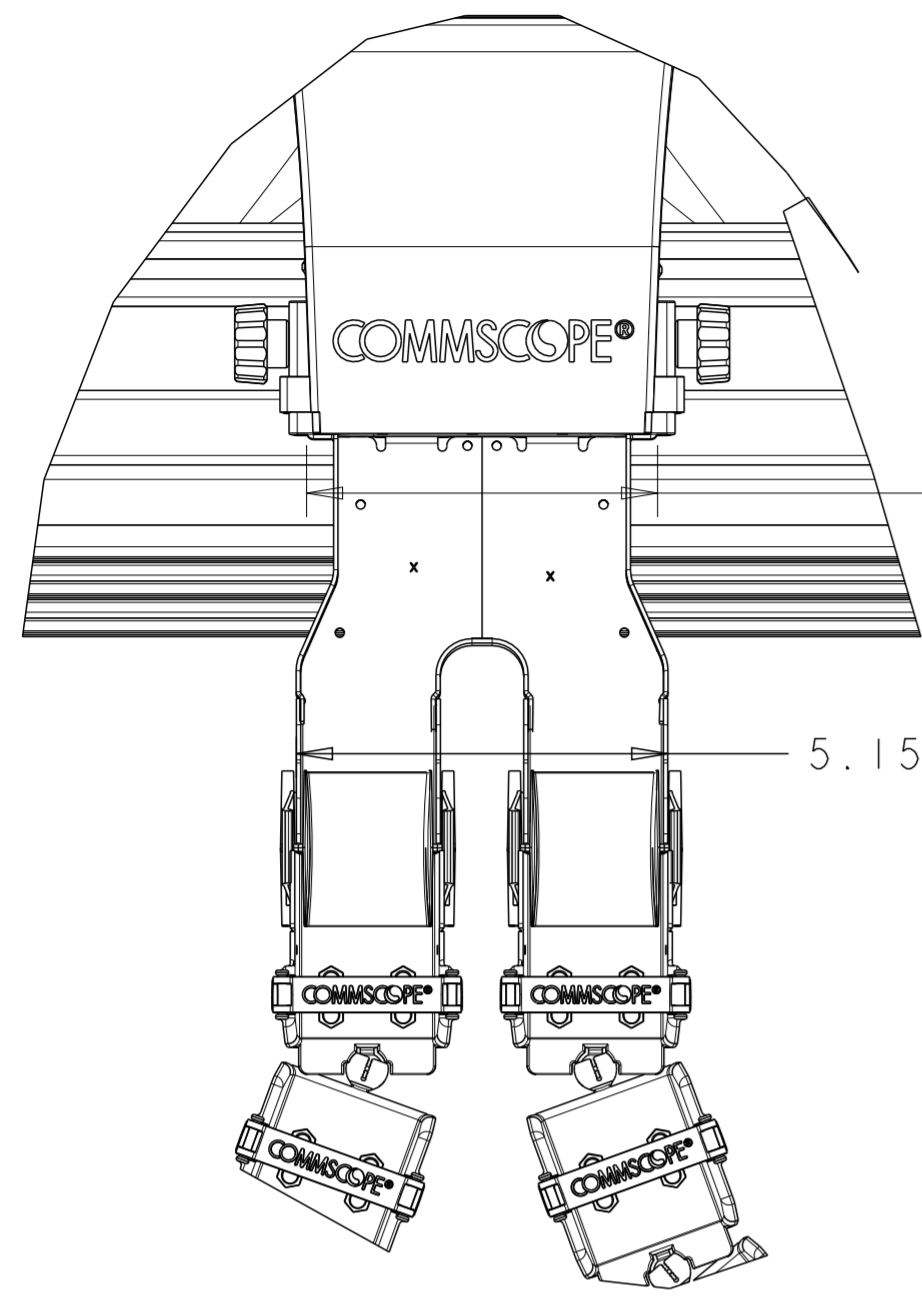
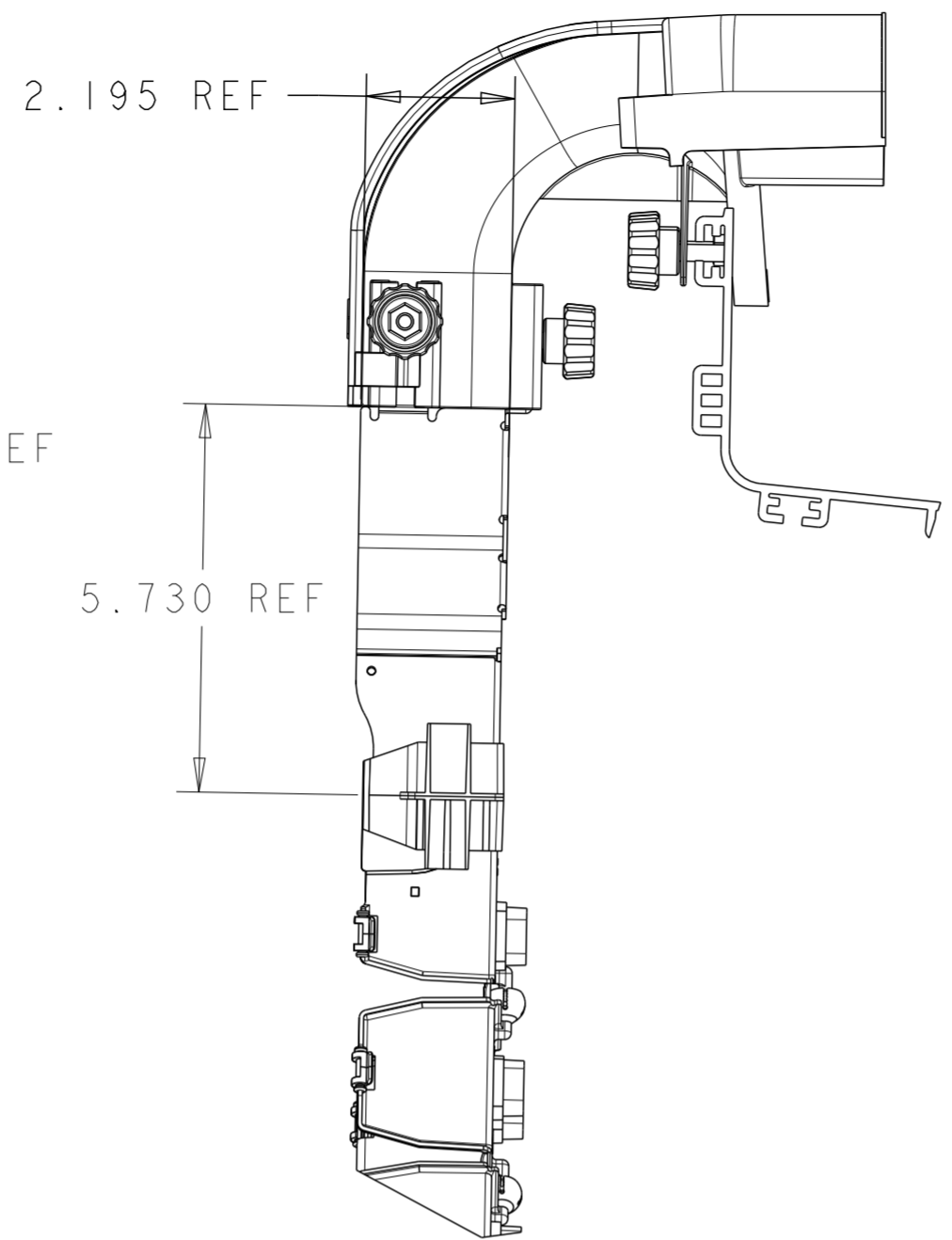


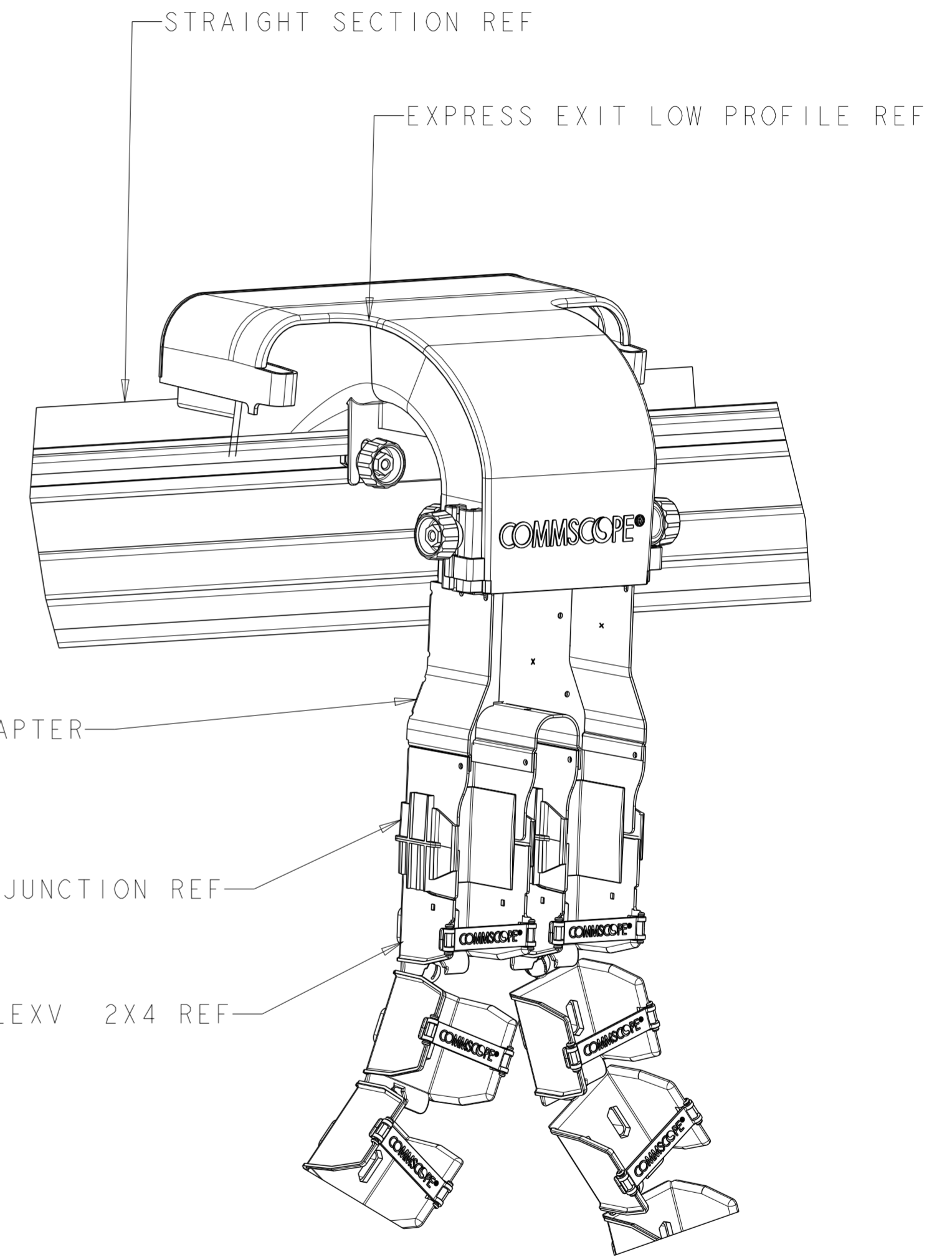
| REVISIONS | | | |
|-----------|-------------|-------------|----------|
| REV | CMO | DATE | APPROVED |
| A | 40206157CMO | 27-NOV-2024 | GVR |



SCALE 3/8



SCALE 3/8



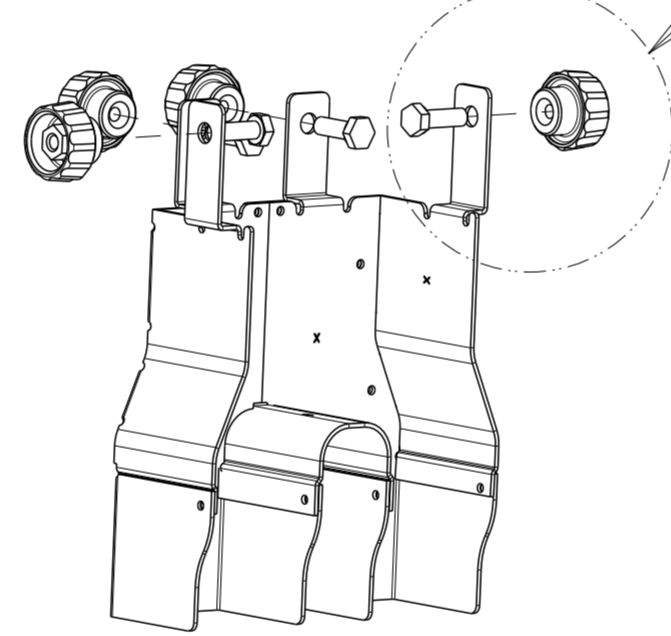
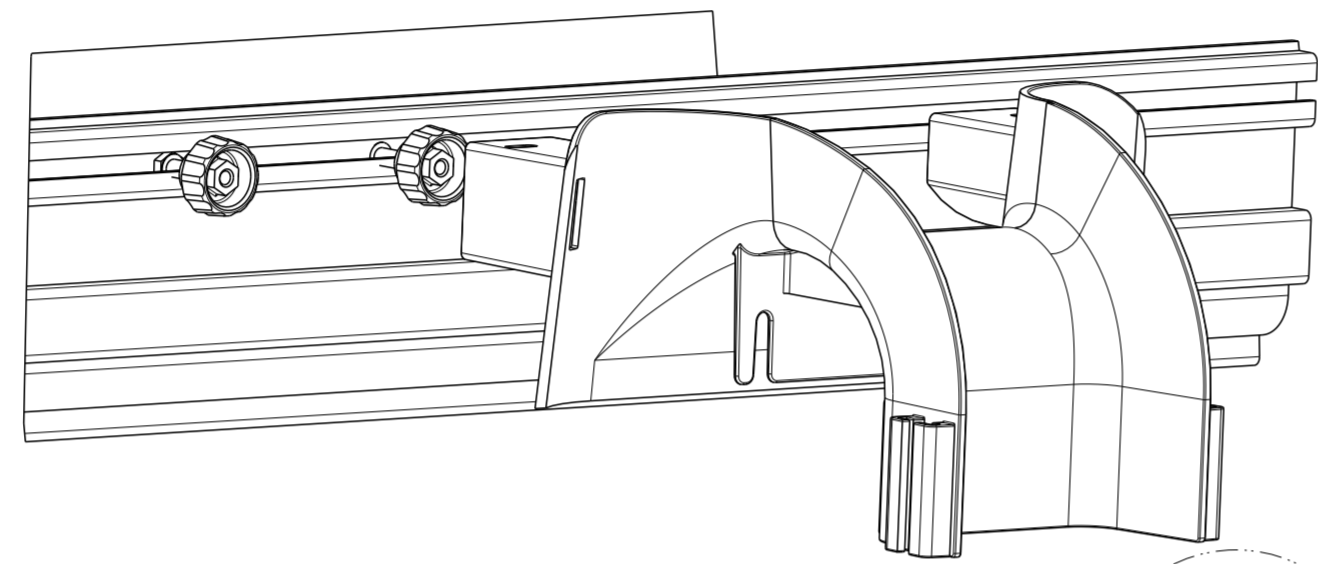
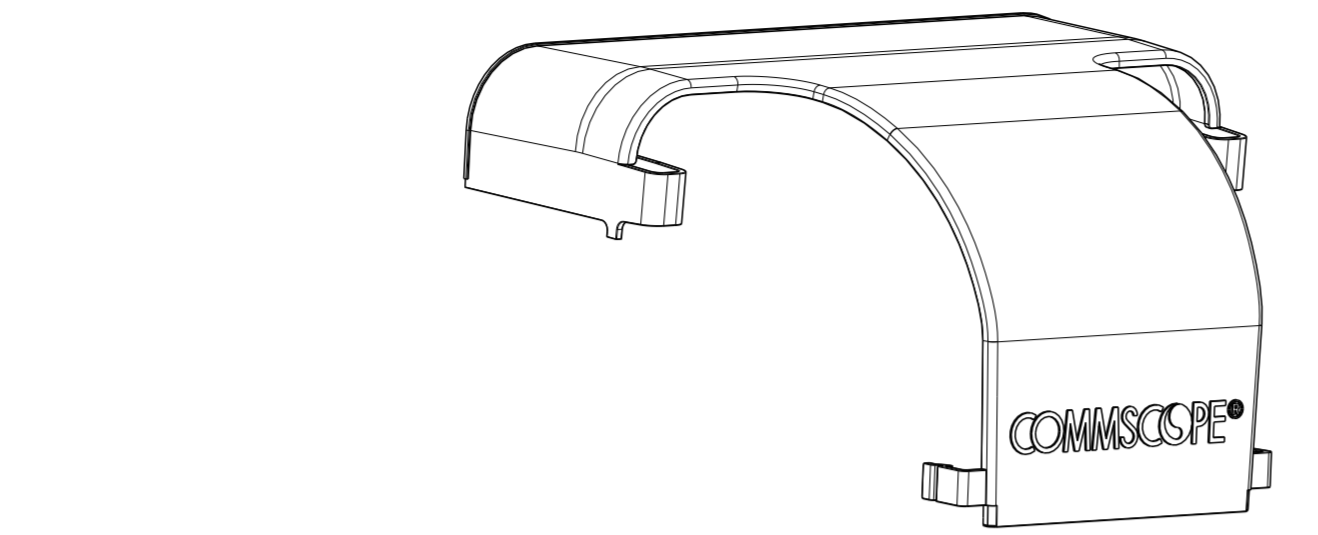
| PART LIST | |
|-------------------------------|-----|
| DESCRIPTION | QTY |
| FLEXV 2X4 TO DUAL 2X2 ADAPTER | 1 |
| KNOB, PLASTIC FGS | 4 |
| HEXAGONAL HEAD SCREW 1/4-20 | 4 |

ASSEMBLY INSTRUCTIONS:

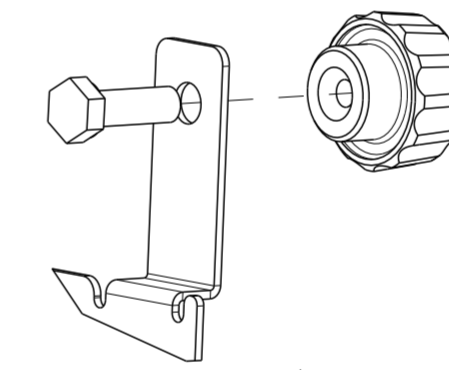
1. INSERT (4) HEXAGONAL HEAD SCREW 1/4-20 INTO THE WALL TAB HOLES ON THE ADAPTER, ONE SCREW PER TAB, WHIT THE SCREW HEADS ON THE INSIDE OF THE ADAPTER. SEE DETAIL A.
2. ASSEMBLY THE (4) PLASTIC KNOBS AND TIGHTEN THE KNOBS COMPLETELY
3. SLIDE THE TABS WHIT THE ASSEMBLED SCREW COMPLETELY INTO THE T-CHANNELS ON THE EXPRESS EXIT.

FGS-MDSA-LP-2C
MID

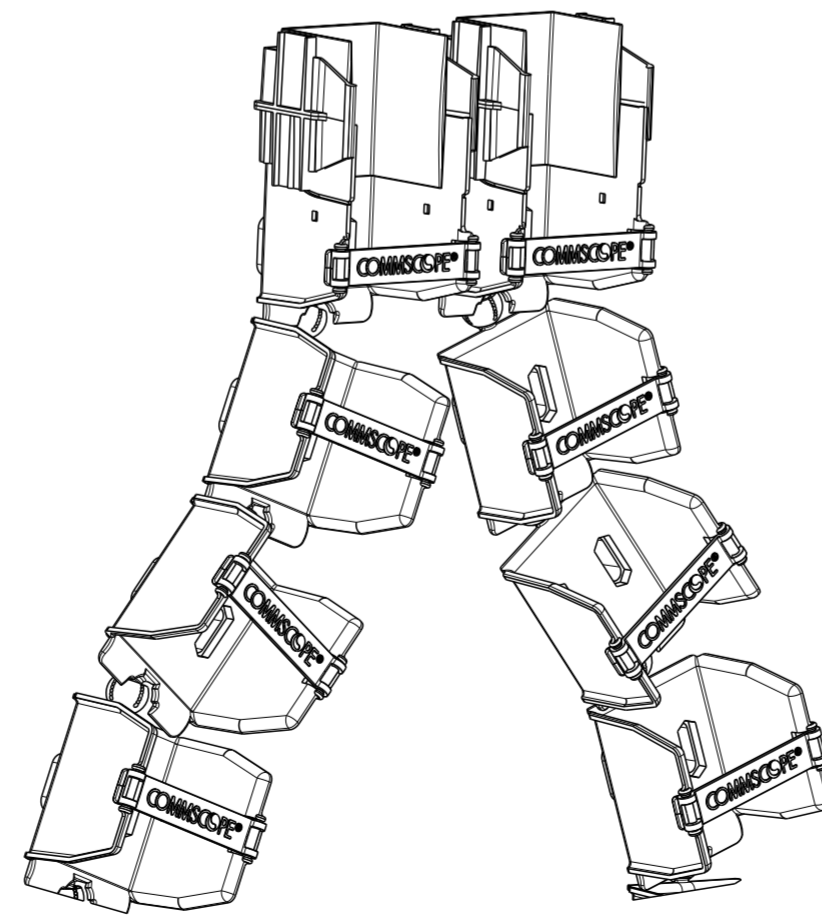
| | | | |
|---------------------------|--|--------------|----------------------------------|
| COMMSCOPE, INC. | | | |
| DRAFTER GILBERTO VILLA | TITLE FLEXV 2X4 TO DUAL 2X2 ADAPTER | | |
| ENGINEER RUBEN ARVILLA | SIZE A2 | SCALE 1/8 | DOCUMENT NO. 660106416 |
| CUSTOMER DRAWING | | | REVISION SHEET A 1 OF 2 |



SEE DETAIL A



DETAIL A



SCALE 3/8

| | | | | |
|---------------------------|--|--|--------------|----------------------------------|
| COMMSCOPE, INC. | | | | |
| DRAFTER GILBERTO VILLA | | TITLE FLEXV 2X4 TO DUAL 2X2 ADAPTER | | |
| ENGINEER RUBEN ARVILLA | | SIZE A2 | SCALE 1/8 | DOCUMENT NO. 660106416 |
| | | CUSTOMER DRAWING | | REVISION A |
| | | | | SHEET 2 OF 2 |