

Fiber indoor/outdoor cable, TeraSPEED® Plenum Distribution Cable, interlocking aluminum armored with plenum jacket, Multimode /Singlemode, 36 fiber multi-unit with 12 fiber subunits, Black jacket color, Feet cable marking

Product Classification

Regional Availability	Asia Australia/New Zealand Latin America Middle East /Africa North America
Portfolio	CommScope®
Product Type	Fiber indoor/outdoor cable
Product Series	P-OZ

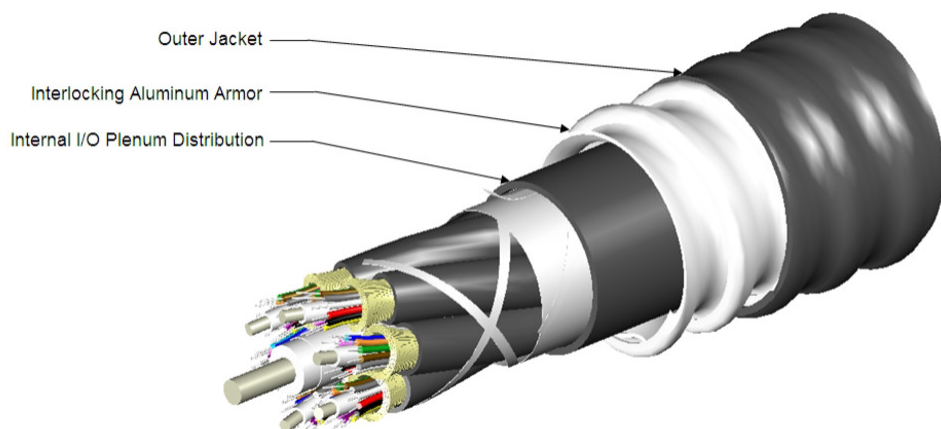
General Specifications

Armor Type	Interlocking aluminum
Cable Type	Distribution
Construction Type	Armored
Subunit Type	Gel-free
Jacket Color	Black
Jacket Marking	Feet
Subunit, quantity	3
Fibers per Subunit, quantity	12
Composite Fiber Count	12 + 24
Total Fiber Count	36

Dimensions

Buffer Tube/Subunit Diameter	6.9 mm 0.272 in
Diameter Over Armor	23.5 mm 0.925 in
Diameter Over Jacket	25.5 mm 1.004 in

Representative Image



Mechanical Specifications

Minimum Bend Radius, loaded	383 mm 15.079 in
Minimum Bend Radius, unloaded	255 mm 10.039 in
Tensile Load, long term, maximum	400 N 89.924 lbf
Tensile Load, short term, maximum	1335 N 300.12 lbf
Compression	85 N/mm 485.363 lb/in
Compression Test Method	FOTP-41 IEC 60794-1 E3
Flex	25 cycles
Flex Test Method	FOTP-104 IEC 60794-1 E6
Impact	35 N-m 309.776 in lb
Impact Test Method	FOTP-25 IEC 60794-1 E4
Strain	See long and short term tensile loads
Strain Test Method	FOTP-33 IEC 60794-1 E1
Twist	10 cycles
Twist Test Method	FOTP-85 IEC 60794-1 E7
Vertical Rise, maximum	80 m 262.467 ft

Optical Specifications

Fiber Type	Composite MM/SM G.652.D and G.657.A1, TeraSPEED® OM4, LazrSPEED® 550
-------------------	--

Environmental Specifications

760135004 | P-036-OZ-CM-FMUBK/8W012 /5K024

Installation temperature	-30 °C to +70 °C (-22 °F to +158 °F)
Operating Temperature	-25 °C to +70 °C (-13 °F to +158 °F)
Storage Temperature	-40 °C to +75 °C (-40 °F to +167 °F)
Cable Qualification Standards	ANSI/ICEA S-104-696 Telcordia GR-20 (water penetration for internal cable) Telcordia GR-409
Environmental Space	Plenum
Flame Test Listing	NEC OFCP (ETL) and c(ETL)
Flame Test Method	NFPA 130 NFPA 262
Jacket UV Resistance	UV stabilized
Water Penetration	24 h
Water Penetration Test Method	FOTP-82 IEC 60794-1 F5

Environmental Test Specifications

Cable Freeze Test Method	IEC 60794-1 F15
Heat Age	-40 °C to +85 °C (-40 °F to +185 °F)
Heat Age Test Method	IEC 60794-1 F9
Low High Bend	-40 °C to +70 °C (-40 °F to +158 °F)
Low High Bend Test Method	FOTP-37 IEC 60794-1 E11
Temperature Cycle	-40 °C to +70 °C (-40 °F to +158 °F)
Temperature Cycle Test Method	FOTP-3 IEC 60794-1 F1

Packaging and Weights

Cable weight	510 kg/km 342.704 lb/kft
---------------------	----------------------------

Regulatory Compliance/Certifications

Agency	Classification
ISO 9001:2015	Designed, manufactured and/or distributed under this quality management system

Included Products

CS-5K-TB	- LazrSPEED® 550 OM4 Bend-Insensitive Multimode Fiber
CS-8W-TB	- TeraSPEED® Singlemode Fiber

* Footnotes

Operating Temperature Specification applicable to non-terminated bulk fiber cable