

760232645 | P-072-CN-RB-F12AQ/5Y/99E



Fiber Indoor Cable, Plenum All-Dielectric Central Tube Ribbon, 72-fiber, Multimode OM3 bend insensitive, Feet jacket marking, Aqua jacket color

Product Classification

| | |
|------------------------------|--|
| Regional Availability | Asia Australia/New Zealand Latin America Middle East /Africa North America |
| Portfolio | CommScope® |
| Product Type | Fiber indoor cable |
| Product Series | P-CN |

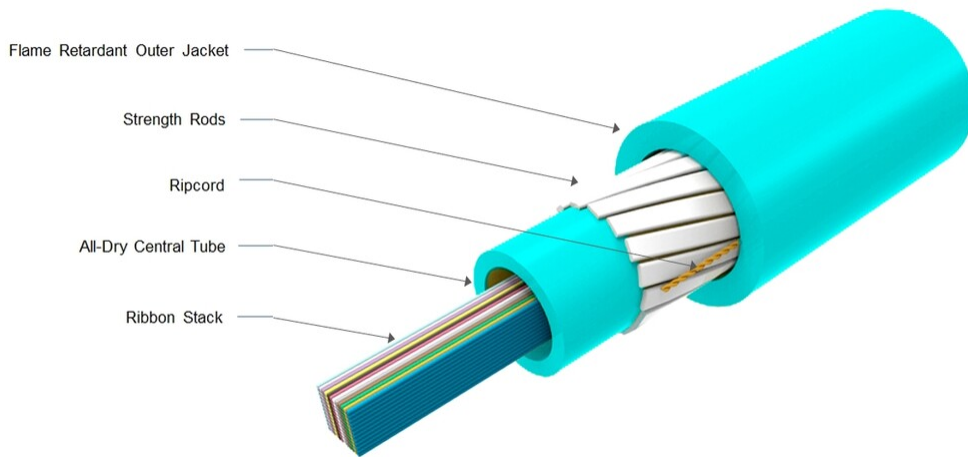
General Specifications

| | |
|------------------------------------|---------------------|
| Cable Type | Ribbon central tube |
| Construction Type | Non-armored |
| Subunit Type | Gel-free |
| Fibers per Ribbon, quantity | 12 |
| Jacket Color | Aqua |
| Jacket Marking | Feet |
| Total Fiber Count | 72 |

Dimensions

| | |
|-------------------------------------|-------------------|
| Buffer Tube/Subunit Diameter | 6 mm 0.236 in |
| Diameter Over Jacket | 9.2 mm 0.362 in |

Representative Image



Mechanical Specifications

| | |
|--|---------------------------------------|
| Minimum Bend Radius, loaded | 182.9 mm 7.201 in |
| Minimum Bend Radius, unloaded | 91.4 mm 3.598 in |
| Tensile Load, long term, maximum | 334 N 75.086 lbf |
| Tensile Load, short term, maximum | 1335 N 300.12 lbf |
| Compression | 10 N/mm 57.101 lb/in |
| Compression Test Method | FOTP-41 IEC 60794-1 E3 |
| Flex | 25 cycles |
| Flex Test Method | FOTP-104 IEC 60794-1 E6 |
| Impact | 2.94 N-m 26.021 in lb |
| Impact Test Method | FOTP-25 IEC 60794-1 E4 |
| Strain | See long and short term tensile loads |
| Strain Test Method | FOTP-33 IEC 60794-1 E1 |
| Twist | 10 cycles |
| Twist Test Method | FOTP-85 IEC 60794-1 E7 |

Optical Specifications

| | |
|-------------------|---|
| Fiber Type | OM3, bend insensitive OM3, bend insensitive |
|-------------------|---|

Environmental Specifications

| | |
|---------------------------------|-------------------------------------|
| Installation temperature | 0 °C to +70 °C (+32 °F to +158 °F) |
| Operating Temperature | -20 °C to +70 °C (-4 °F to +158 °F) |

760232645 | P-072-CN-RB-F12AQ/5Y/99E

| | |
|--------------------------------------|---------------------------------------|
| Storage Temperature | -40 °C to +70 °C (-40 °F to +158 °F) |
| Cable Qualification Standards | ANSI/ICEA S-83-596 Telcordia GR-409 |
| Environmental Space | Plenum |
| Flame Test Listing | NEC OFNP (UL) and c(UL) |
| Flame Test Method | NFPA 130 NFPA 262 |

Environmental Test Specifications

| | |
|--------------------------------------|-------------------------------------|
| Heat Age | -20 °C to +85 °C (-4 °F to +185 °F) |
| Heat Age Test Method | IEC 60794-1 F9 |
| Low High Bend | 0 °C to +70 °C (+32 °F to +158 °F) |
| Low High Bend Test Method | FOTP-37 IEC 60794-1 E11 |
| Temperature Cycle | -20 °C to +70 °C (-4 °F to +158 °F) |
| Temperature Cycle Test Method | FOTP-3 IEC 60794-1 F1 |

Packaging and Weights

| | |
|---------------------|--------------------------|
| Cable weight | 85 kg/km 57.117 lb/kft |
|---------------------|--------------------------|

Regulatory Compliance/Certifications

| Agency | Classification |
|---------------|--|
| ISO 9001:2015 | Designed, manufactured and/or distributed under this quality management system |

Included Products

| | |
|----------|---|
| CS-5Y-RB | - 50µm OM3 Bend-Insensitive Multimode Fiber |
|----------|---|

* Footnotes

Operating Temperature Specification applicable to non-terminated bulk fiber cable