

# PFC-302L16F

---



Powered Fiber Cable, OM3, 2 Fibers, Indoor/Outdoor, 16AWG Conductor, feet

- Easy peel, stranded conductors for maximum cable flexibility and rapid access
- Polarization indentation along one side of the cable for polarity identification
- No special tools or mounting hardware required - usage of a standard "FTTH" pressure clamp for aerial installation
- Easy split of cable into three separate sections for separate routing in closures, as needed for installation
- Riser/LSZH jacket for indoor/outdoor applications

## Product Classification

<b>Regional Availability</b>	North America
<b>Product Type</b>	Hybrid cable, fiber and power
<b>Ordering Note</b>	Minimum order quantity is 1640 feet

## General Specifications

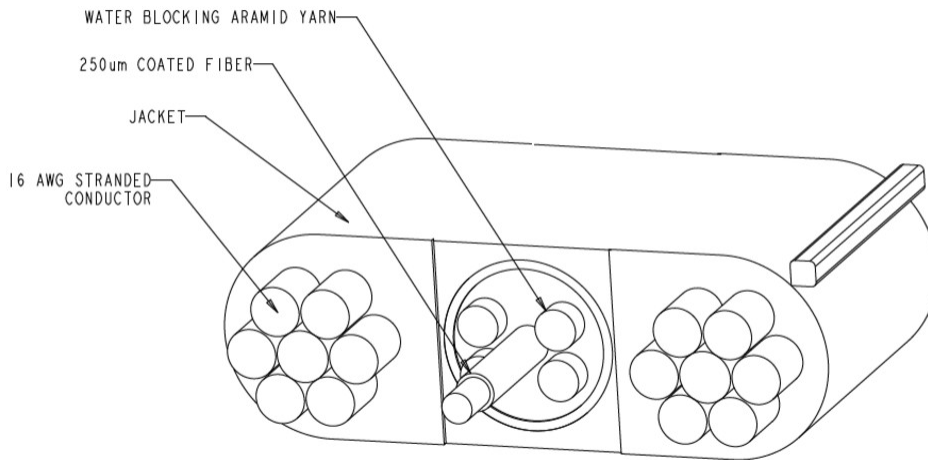
<b>Cable Type</b>	Stranded indoor/outdoor
<b>Fiber Short Description</b>	PFC-L16
<b>Jacket Color</b>	Black
<b>Total Fiber Count</b>	2

## Dimensions

<b>Height Over Jacket</b>	4.318 mm   0.17 in
<b>Width Over Jacket</b>	11.43 mm   0.45 in
<b>Conductor Gauge</b>	16 AWG

## Outline Drawing

# PFC-302L16F



## Electrical Specifications

**Voltage Rating** 300 V

## Mechanical Specifications

**Minimum Bend Radius, loaded** 88.9 mm | 3.5 in

**Minimum Bend Radius, unloaded** 45.72 mm | 1.8 in

**Tensile Load, long term, maximum** 133.447 N | 30 lbf

**Tensile Load, short term, maximum** 440.374 N | 99 lbf

**Vertical Rise, maximum** 122.011 m | 400.3 ft

## Optical Specifications

**Fiber Type** OM3, bend insensitive

## Environmental Specifications

**Installation temperature** -10 °C to +60 °C (+14 °F to +140 °F)

**Operating Temperature** -40 °C to +70 °C (-40 °F to +158 °F)

**Storage Temperature** -40 °C to +70 °C (-40 °F to +158 °F)

**Cable Qualification Standards** Telcordia GR-20-CORE Issue 4

**EN50575 CPR Cable EuroClass Fire Performance** Dca

**EN50575 CPR Cable EuroClass Smoke Rating** s1a

# PFC-302L16F

---

<b>EN50575 CPR Cable EuroClass Droplets Rating</b>	d1
<b>EN50575 CPR Cable EuroClass Acidity Rating</b>	a1
<b>Environmental Space</b>	Low Smoke Zero Halogen (LSZH)   Riser
<b>Flame Test Method</b>	IEC 60332-1-2   IEC 60754-2   IEC 61034-2   UL 1666   UL 444
<b>Jacket UV Resistance</b>	UV stabilized

## Packaging and Weights

<b>Cable weight</b>	69.944 kg/km   47 lb/kft
---------------------	--------------------------

## Regulatory Compliance/Certifications

<b>Agency</b>	<b>Classification</b>
CENELEC	EN 50575 compliant, Declaration of Performance (DoP) available



## Included Products

CS-5E-PFC – 50µm OM3 Bend-Insensitive Multimode Fiber

## \* Footnotes

**Operating Temperature** Specification applicable to non-terminated bulk fiber cable