

# PFC-S04L16

---



Powered Fiber Cable, OS2, 4 Fibers, Indoor/Outdoor, 16AWG Conductor, meter, feet

- Easy peel, stranded conductors for maximum cable flexibility and rapid access
- Polarization indentation along one side of the cable for polarity identification
- No special tools or mounting hardware required - usage of a standard "FTTH" pressure clamp for aerial installation
- Easy split of cable into three separate sections for separate routing in closures, as needed for installation
- Riser/LSZH jacket for indoor/outdoor applications

## Product Classification

### Regional Availability

Asia | Australia/New Zealand | EMEA | Latin America | North America

### Product Type

Hybrid cable, fiber and power

### Ordering Note

Minimum order quantity is 500 meter

## General Specifications

### Cable Type

Stranded indoor/outdoor

### Fiber Short Description

PFC-L16

### Jacket Color

Black

### Total Fiber Count

4

## Dimensions

### Height Over Jacket

4.318 mm | 0.17 in

### Width Over Jacket

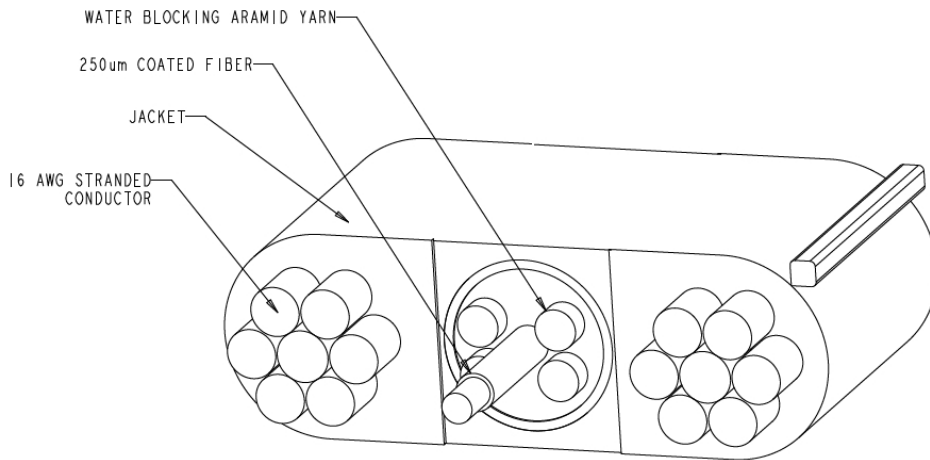
11.43 mm | 0.45 in

### Conductor Gauge

16 AWG

## Outline Drawing

# PFC-S04L16



## Mechanical Specifications

<b>Minimum Bend Radius, loaded</b>	88.9 mm   3.5 in
<b>Minimum Bend Radius, unloaded</b>	45.72 mm   1.8 in
<b>Tensile Load, long term, maximum</b>	133.447 N   30 lbf
<b>Tensile Load, short term, maximum</b>	440.374 N   99 lbf
<b>Vertical Rise, maximum</b>	122.011 m   400.3 ft

## Optical Specifications

<b>Fiber Type</b>	G.657.A2, TeraSPEED®   OS2
-------------------	----------------------------

## Environmental Specifications

<b>Installation temperature</b>	-10 °C to +60 °C (+14 °F to +140 °F)
<b>Operating Temperature</b>	-40 °C to +70 °C (-40 °F to +158 °F)
<b>Storage Temperature</b>	-40 °C to +70 °C (-40 °F to +158 °F)
<b>Cable Qualification Standards</b>	Telcordia GR-20-CORE Issue 4
<b>EN50575 CPR Cable EuroClass Fire Performance</b>	Dca
<b>EN50575 CPR Cable EuroClass Smoke Rating</b>	s1a
<b>EN50575 CPR Cable EuroClass Droplets Rating</b>	d1
<b>EN50575 CPR Cable EuroClass Acidity Rating</b>	a1
<b>Environmental Space</b>	Low Smoke Zero Halogen (LSZH)   Riser

# PFC-S04L16

---

**Flame Test Method**

IEC 60332-1-2 | IEC 60754-2 | IEC 61034-2 | NFPA 130 | UL 1666 | UL 444

**Jacket UV Resistance**

UV stabilized

## Packaging and Weights

**Cable weight**

69.944 kg/km | 47 lb/kft

## Regulatory Compliance/Certifications

**Agency**

**Classification**

CENELEC

EN 50575 compliant, Declaration of Performance (DoP) available



## Included Products

CS-8G-PFC

- Enhanced Low Macrobending, Zero Water Peak, Dispersion-Unshifted Singlemode Fiber (ITU-T G.657.A2, B2)

# CS-8G-PFC

---

Enhanced Low Macrobending, Zero Water Peak, Dispersion-Unshifted Singlemode Fiber (ITU-T G.657.A2, B2)

## Product Classification

<b>Portfolio</b>	CommScope®
<b>Product Type</b>	Optical fiber

## General Specifications

<b>Cladding Diameter</b>	125 µm
<b>Cladding Diameter Tolerance</b>	±0.7 µm
<b>Cladding Non-Circularity, maximum</b>	0.7 %
<b>Coating Diameter (Colored)</b>	254 µm
<b>Coating Diameter (Uncolored)</b>	240 µm
<b>Coating Diameter Tolerance (Colored)</b>	±7 µm
<b>Coating Diameter Tolerance (Uncolored)</b>	±5 µm
<b>Coating/Cladding Concentricity Error, maximum</b>	12 µm
<b>Core/Clad Offset, maximum</b>	0.5 µm
<b>Proof Test</b>	689.476 N/mm <sup>2</sup>   100000 psi

## Dimensions

<b>Fiber Curl, minimum</b>	4 m   13.123 ft
----------------------------	-----------------

## Mechanical Specifications

<b>Macrobending, 15 mm Ø mandrel, 1 turn</b>	0.50 dB @ 1,550 nm   1.00 dB @ 1,625 nm
<b>Macrobending, 20 mm Ø mandrel, 1 turn</b>	0.10 dB @ 1,550 nm   0.20 dB @ 1,625 nm
<b>Macrobending, 30 mm Ø mandrel, 10 turns</b>	0.03 dB @ 1,550 nm   0.10 dB @ 1,625 nm
<b>Coating Strip Force, maximum</b>	8.9 N   2.001 lbf
<b>Coating Strip Force, minimum</b>	1.3 N   0.292 lbf
<b>Dynamic Fatigue Parameter, minimum</b>	20

## Optical Specifications

<b>Cabled Cutoff Wavelength, maximum</b>	1260 nm
<b>Point Defects, maximum</b>	0.1 dB

# CS-8G-PFC

<b>Zero Dispersion Slope, maximum</b>	0.092 ps/[km-nm-nm]
<b>Zero Dispersion Wavelength, maximum</b>	1322 nm
<b>Zero Dispersion Wavelength, minimum</b>	1302 nm

## Optical Specifications, Wavelength Specific

<b>Attenuation, maximum</b>	0.30 dB/km @ 1,550 nm   0.40 dB/km @ 1,310 nm
<b>Dispersion, maximum</b>	18 ps(nm-km) at 1550 nm   3.5 ps(nm-km) from 1285 nm to 1330 nm at 1310 nm
<b>Index of Refraction</b>	1.467 @ 1,310 nm   1.467 @ 1,385 nm   1.468 @ 1,550 nm
<b>Mode Field Diameter</b>	8.8 $\mu\text{m}$ @ 1,310 nm   9.9 $\mu\text{m}$ @ 1,550 nm
<b>Mode Field Diameter Tolerance</b>	$\pm 0.4 \mu\text{m}$ @ 1310 nm   $\pm 0.5 \mu\text{m}$ @ 1550 nm
<b>Polarization Mode Dispersion Link Design Value, maximum</b>	0.06 ps/sqrt(km)
<b>Standards Compliance</b>	ITU-T G.657.A2   ITU-T G.657.B2

## Environmental Specifications

<b>Heat Aging, maximum</b>	0.05 dB/km @ 85 °C
<b>Temperature Dependence, maximum</b>	0.05 dB/km
<b>Temperature Humidity Cycling, maximum</b>	0.05 dB/km
<b>Water Immersion, maximum</b>	0.05 dB/km @ 23 °C

## Regulatory Compliance/Certifications

<b>Agency</b>	<b>Classification</b>
ISO 9001:2015	Designed, manufactured and/or distributed under this quality management system



## \* Footnotes

<b>Temperature Dependence, maximum</b>	Temperature dependence is conducted at -60 °C to +85 °C (-76 °F to +185 °F)
<b>Temperature Humidity Cycling, maximum</b>	Temperature humidity cycling is conducted at -10 °C to +85 °C (+14 °F to +185 °F) up to 95% relative humidity