



FOSC® 450 A4 Fiber Optic Splice Closure

- Single-ended, O-ring sealed dome closure for splicing feeder and distribution cables
- Gel cable sealing technology allows easy adding or removing of a wide size range of cables
- Compatible with most common cable types: e.g. loose tube, central core, ribbon fiber
- FOSC splice trays hinged for access to any splice without disturbing other trays
- Closure can be used in aerial, pedestal and underground (up to 5 meters) environments
- Compatible with CommScope's CWDM modules and optical splitter trays

Product Classification

Regional Availability	Asia
Product Type	Single-ended, round fiber closure
Product Brand	FOSC®
Product Series	FOSC 450

General Specifications

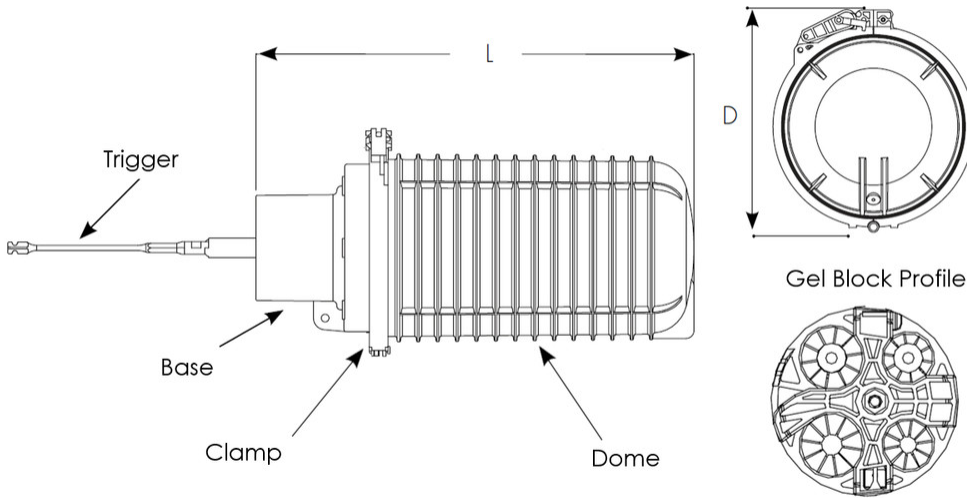
Cable Entry Drop Port Style	Round
Cable Entry Main Port Style	Round
Cable Ports Quantity, total	4 round ports
Cable Sealing Type	Compressed gel
Closure Sealing Type	Dome-to-base clamp with O-ring
Closure Style	Single-ended
Color	Black
Fiber Storage Basket Type	B6, BS standard size
Flash Test Valve	None
Ground Feed-through	None
Mounting	Pole Strand Wall
Network Area Type	Feeder
Splice Tray Included, quantity	2
Splicing Type, Supported	Mass fusion Single fusion

Dimensions

Main Cable Diameter, maximum	28 mm 1.102 in
-------------------------------------	------------------

CK4188-000 | FOSC-450A-2-24-2-BGN-IN13

Dimension Drawing



Ordering Tree

FOSC-450 **XX** - **X** - **XXX** - **X** - **X** - **XX**

Closure size

- A** 485 mm - 4 round ports
- BS** 485 mm - 6 round ports
- B6** 625 mm - 6 round ports
- D6** 755 mm - 6 round ports

Cable attachments

- 2** 2 cable attachments included
- 4** 4 cable attachments included (only for A size)
- 6** 6 cable attachments included

Type of splicing trays/number of splices per tray (1)

NT If no trays need to be included

Closure size	Tray Options	
	Splices at tray edges	Splices in modules
A or BS	S08, S16, S24 A16, A24, 4R4	12, 16, 24, 24RS
B6	S12, S24 A24, 6R4	12, 16, 24, 24RS
D6		36, 48, 72, A72, S96, L96, A96, 96RS RT

Valve for flash testing

- V** Valve
- N** No valve

Ground feedthrough lugs

- N** No grounding
- G** 1 ground feed-through (N/A for BS)
- 3** 3 ground feed-through lugs (N/A for A and BS)
- 6** 6 ground feed-through lugs (only for D6 size)

Basket type

- N** None (N/A for BS-size)
- B** Basket for A, BS- and B6-size
- D** Basket for D6-size
- T** Tall basket for A or D6-size

Pre-installed trays

- 0-1 ... or 4** For A closures
- 0-1 ... or 6** For BS and B6 closures
- 0-1 ... or 8** For D6 closures (2)

Material Specifications

Material Type Impact-resistant polymer

CK4188-000 | FOSC-450A-2-24-2-BGN-IN13

Environmental Specifications

Environmental Space	Below ground Buried
Qualification Standards	IEC 61300, 5 m waterhead

Packaging and Weights

Included	Cable blocking components
Packaging quantity	1
Packaging Type	Box Carton
Weight, net	2.72 kg 5.997 lb

Regulatory Compliance/Certifications

Agency	Classification
ISO 9001:2015	Designed, manufactured and/or distributed under this quality management system
REACH-SVHC	Compliant as per SVHC revision on www.commscope.com/ProductCompliance