

# CS6975-000 | BUDI-M-TB-B

---



BUDI™ Fiber Optic Wall mount Enclosure, empty for holding PON Application kits, with lock

- Compact, wall mountable fiber enclosures for indoor and outdoor use
- Specifically designed for fast FTTH deployment and easy customer connection
- Available with splicing (FIST) and/or patching and/or splitter combinations
- Multiple and modular wrap around cable port sealing options

## Product Classification

<b>Regional Availability</b>	EMEA
<b>Product Type</b>	Fiber wall box
<b>Product Brand</b>	BUDI™
<b>Product Series</b>	BUDI-M

## General Specifications

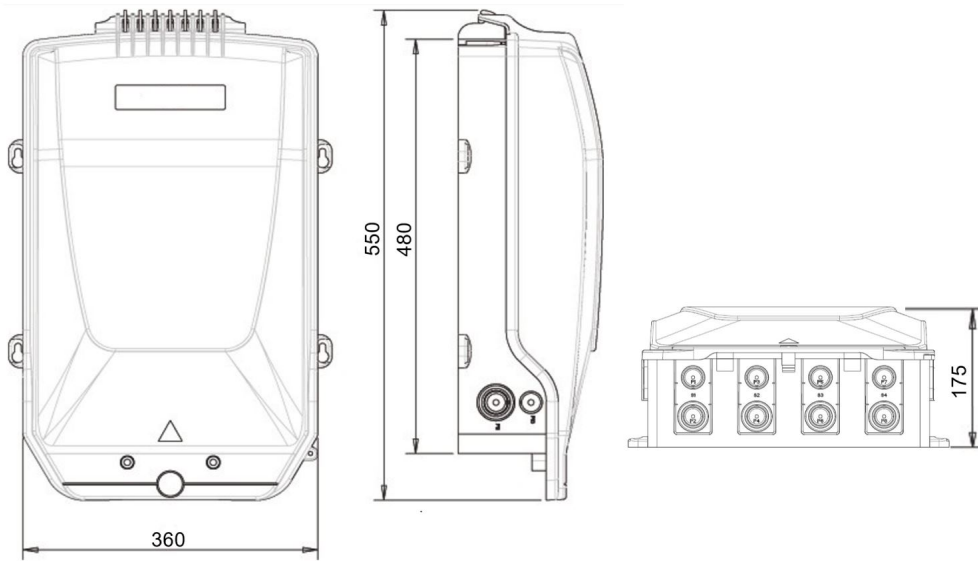
<b>Functionality</b>	Patching   Splicing
<b>Access</b>	Front
<b>Enclosure Color</b>	Gray
<b>Front Cover Type</b>	Snap-on cover
<b>Interface</b>	Unloaded
<b>Lock Type</b>	Key lock
<b>Mounting</b>	Wall

## Dimensions

<b>Height</b>	480 mm   18.898 in
<b>Height, with cover</b>	550 mm   21.654 in
<b>Width</b>	360 mm   14.173 in
<b>Depth</b>	175 mm   6.89 in

## Dimension Drawing

# CS6975-000 | BUDI-M-TB-B



## Material Specifications

**Enclosure Material Type** LSZH thermoplastic

## Environmental Specifications

**Environmental Space** Indoor/Outdoor

**Qualification Standards** IEC 60529, IP54 | IEC 61753-1, category G

## Packaging and Weights

**Packaging quantity** 1

**Packaging Type** Box | Carton

## Regulatory Compliance/Certifications

Agency	Classification
CHINA-ROHS	Above maximum concentration value
ROHS	Compliant/Exempted
UK-ROHS	Compliant/Exempted

