

# CU4159-000 | FIST-GC02-BF8-NN



FIST® GC02 Fiber Optic Splice Closure, Heat Shrink or Gold Gel Cable sealing, size BF, no pre-installed fiber trays, 8 round ports + 2 oval ports

- Single-ended, O-ring sealed dome closure for splicing feeder and distribution cables
- Compatible with most common cable types: e.g. loose tube, central core, ribbon fiber
- Universal mounting system (UMS) profiles provide foundation for mounting combinations of FIST splice trays
- Closure can be used in aerial, pedestal and underground (up to 5 meters) environments
- Compatible with CommScope's CWDM modules and optical splitter trays
- Collar extended fiber splice closure size

## Product Classification

|                              |                                   |
|------------------------------|-----------------------------------|
| <b>Regional Availability</b> | EMEA                              |
| <b>Product Type</b>          | Single-ended, round fiber closure |
| <b>Product Brand</b>         | FIST®                             |
| <b>Product Series</b>        | FIST-GC02                         |

## General Specifications

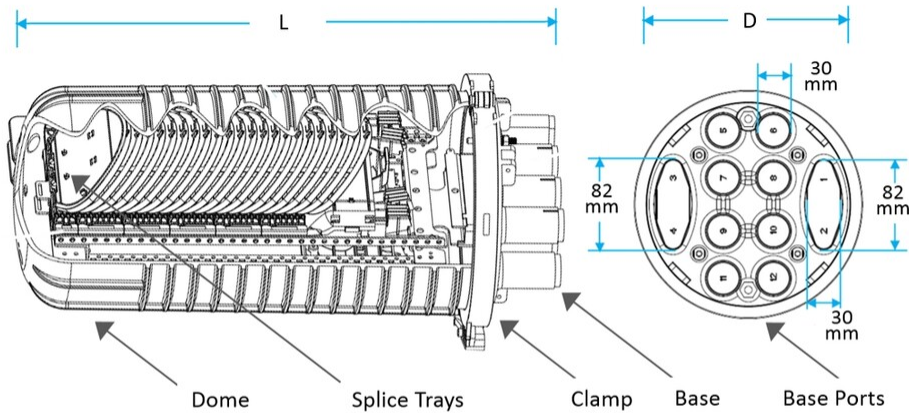
|  |  |
|--|--|
| <b>Cable Entry Drop Port Style</b>               | Round                                    |
| <b>Cable Entry Main Port Style</b>               | Oval                                     |
| <b>Cable Ports Quantity, total</b>               | 2 oval port (2x2 cables) + 8 round ports |
| <b>Cable Sealing Type</b>                        | Gel kit (optional)   Heat shrink         |
| <b>Closure Sealing Type</b>                      | Dome-to-base clamp with O-ring           |
| <b>Closure Style</b>                             | Single-ended                             |
| <b>Color</b>                                     | Black                                    |
| <b>Flash Test Valve</b>                          | None                                     |
| <b>Ground Feed-through</b>                       | None                                     |
| <b>Mounting</b>                                  | Pole   Strand   Wall                     |
| <b>Network Area Type</b>                         | Distribution                             |
| <b>Splice Tray Included, quantity</b>            | 0  |
| <b>Splice Tray Type Included</b>                 | No trays                                 |
| <b>Splicing Capacity, Mass Fusion, maximum</b>   | 1728                                     |
| <b>Splicing Capacity, Single Fusion, maximum</b> | 1536                                     |
| <b>Splicing Type, Supported</b>                  | Mass fusion   Single fusion              |

# CU4159-000 | FIST-GCO2-BF8-NN

## Dimensions

|                                       |                    |
|---------------------------------------|--------------------|
| <b>Cable Entry Drop Port Diameter</b> | 30 mm (1.18 in) mm |
| <b>Main Cable Diameter, maximum</b>   | 25 mm   0.984 in   |

## Dimension Drawing



|                                   | FIST-GCO2-BC     | FIST-GCO2-BD     | FIST-GCO2-BE     | FIST-GCO2-BF    |
|-----------------------------------|------------------|------------------|------------------|-----------------|
| <b>Length L</b>                   | 488 mm/19.213 in | 566 mm/22.283 in | 680 mm/26.772 in | 795 mm/31.30 in |
| <b>Width D at base</b>            | 247 mm/9.724 in  | 247 mm/9.724 in  | 247 mm/9.724 in  | 247 mm/9.724 in |
| <b>Width D at base with clamp</b> | 285 mm/11.22 in  | 285 mm/11.22 in  | 285 mm/11.22 in  | 285 mm/11.22 in |

## Port Configuration

|                      | Cables per port | Cable Diameter, min | Cable Diameter, max |
|----------------------|-----------------|---------------------|---------------------|
| <b>1 Oval Port</b>   | 2               | 12 mm / 0.472 in    | 25 mm / 0.984 in    |
| <b>8 Round Ports</b> | 1               | 5 mm / 0.197 in     | 30 mm / 1.181 in    |

## Splicing Configuration

|   | FIST-GCO2-BC | FIST-GCO2-BD | FIST-GCO2-BE | FIST-GCO2-BF |
|---|--------------|--------------|--------------|--------------|
| <b>UMS Units</b>  | 2x28         | 2x42         | 2x58         | 2x64         |
| <b># SC/SLE 4mm trays</b>   | 56           | 80           | 112          | 128          |
| <b># SE 8mm trays</b>   | 28           | 40           | 56           | 64           |
| <b># R12 12mm Flat ribbon trays</b>                                     | 18           | 26           | 36           | 42           |
| <b>Max single splice capacity SC trays (4F/tray)</b>                    | 224          | 320          | 448          | 512          |
| <b>Max single splice capacity SE trays (12F/SE)</b>                     | 336          | 480          | 672          | 768          |
| <b>Max single splice capacity High dense tray (12F/SLE)</b>             | 672          | 960          | 1344         | 1536         |
| <b>Max mass splice capacity R12 trays (Flat ribbon)</b>                 | 432          | 624          | 864          | 1008         |
| <b>Max mass splice capacity SE trays (Rollable ribbon G657A2 fiber)</b> | 1008         | 1440         | 1728         | 1728         |

# CU4159-000 | FIST-GCO2-BF8-NN

## Ordering Tree

FIST-GCO2- \_\_\_\_\_ - \_\_\_\_\_

### Closure size

|    |                                  |
|----|----------------------------------|
| BC | 488 mm long with (2) 28 unit UMS |
| BD | 566 mm long with (2) 42 unit UMS |
| BE | 680 mm long with (2) 58 unit UMS |
| BF | 795 mm long with (2) 64 unit UMS |

### Number of ports

|    |             |                                       |
|----|-------------|---------------------------------------|
| 6  | Round ports | (6: ø 30) + 1 oval port               |
| 8  | Round ports | (8: ø 30) + 2 oval ports              |
| 16 | Round ports | (8 : ø 20) + 1 oval port (8 : ø 13.5) |

### Flash test valve

|   |                                |
|---|--------------------------------|
| V | Pre-installed flash test valve |
| N | No flash test valve            |

### Ground feed-through

|   |                                  |
|---|----------------------------------|
| G | Pre-installed ground feedthrough |
| N | No ground feedthrough            |

## Material Specifications

**Material Type** Impact-resistant polymer

## Environmental Specifications

**Environmental Space** Below ground | Buried

**Qualification Standards** IEC 61300, 5 m waterhead

## Packaging and Weights

**Packaging quantity** 1

**Packaging Type** Box | Carton

**Weight, net** 6.4 kg | 14.11 lb

## Regulatory Compliance/Certifications

| Agency        | Classification   |
|---------------|--|
| CHINA-ROHS    | Below maximum concentration value  |
| ISO 9001:2015 | Designed, manufactured and/or distributed under this quality management system   |
| REACH-SVHC    | Compliant as per SVHC revision on <a href="http://www.commscope.com/ProductCompliance">www.commscope.com/ProductCompliance</a> |
| ROHS          | Compliant  |
| UK-ROHS       | Compliant  |

