

# FL1-H4777NNN-1100D



FL1000 Fiber Wall Box, 2-door, singlemode SC/UPC, 24-ports, adapters only, 1 cable clamp, 1 compression fitting, 1 key lock

- Ideal for small to medium fiber counts within communication rooms or closets at customer sites
- Provides demarcation access for the telecom carrier and the end-user by way of separate compartments
- Guarantees mechanical protection and fiber management for indoor and outdoor cable
- Fully customizable for patch-patch, splice-patch or for the storage of un-terminated (dark) fibers

## Product Classification

|                              |                |
|------------------------------|----------------|
| <b>Regional Availability</b> | North America  |
| <b>Product Type</b>          | Fiber wall box |
| <b>Product Series</b>        | FL1000         |

## General Specifications

|   |   |
|---|---|
| <b>Application</b>                          | Patching   Splicing                               |
| <b>Adapter Packs Included, quantity</b>     | 4   |
| <b>Adapters, quantity</b>                   | 24  |
| <b>Cable Clamps, quantity</b>               | 1   |
| <b>Cable Compression Fittings, quantity</b> | 1   |
| <b>Cable Entry Location</b>                 | Bottom left   Bottom right   Top left   Top right |
| <b>Color</b>                                | Putty white                                       |
| <b>Door, quantity</b>                       | 2   |
| <b>Front Door Type</b>                      | Single hinged                                     |
| <b>Growth Configuration</b>                 | Fully loaded                                      |
| <b>Interface</b>                            | SC/UPC  |
| <b>Lock Type</b>                            | Key lock  |
| <b>Mounting</b>                             | Wall  |
| <b>Splicing Type</b>                        | Heat shrink, mass fusion                          |
| <b>Total Ports, quantity</b>                | 24  |

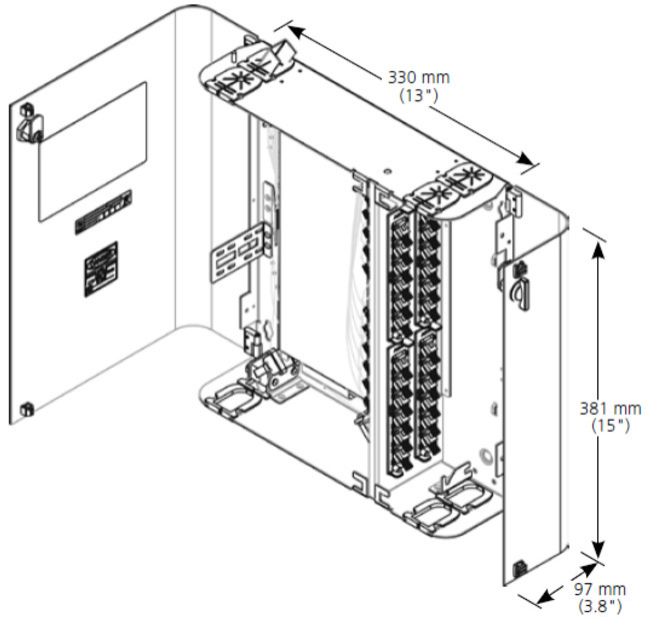
## Dimensions

|               |                    |
|---------------|--------------------|
| <b>Height</b> | 590 mm   23.228 in |
| <b>Width</b>  | 551 mm   21.693 in |

# FL1-H4777NNN-1100D

**Depth** 156.97 mm | 6.18 in

## Outline Drawing



## Material Specifications

**Finish** Powder coated

**Material Type** Steel

## Optical Specifications

**Fiber Mode** Singlemode

## Environmental Specifications

**Environmental Space** Indoor

**Qualification Standards** NEMA type 12

## Packaging and Weights

**Packaging quantity** 1

**Packaging Type** Bag | Carton

## Regulatory Compliance/Certifications

# FL1-H4777NNN-1100D

---

**Agency****Classification**

CHINA-ROHS

Above maximum concentration value

REACH-SVHC

Compliant as per SVHC revision on [www.commscope.com/ProductCompliance](http://www.commscope.com/ProductCompliance)

ROHS

Compliant/Exempted

UK-ROHS

Compliant/Exempted

