

FL1-J3777772-1110N



FL1000 Fiber Wall Box, 2-door, singlemode SC/UPC, 48-ports, with pigtails and splice tray, 1 cable clamp, 1 compression fitting, 1 grounding kit

- Ideal for small to medium fiber counts within communication rooms or closets at customer sites
- Provides demarcation access for the telecom carrier and the end-user by way of separate compartments
- Guarantees mechanical protection and fiber management for indoor and outdoor cable
- Fully customizable for patch-patch, splice-patch or for the storage of un-terminated (dark) fibers

Product Classification

Regional Availability	North America
Product Type	Fiber wall box
Product Series	FL1000

General Specifications

Application	Patching Splicing
Adapter Packs Included, quantity	8
Adapters, quantity	48
Cable Clamps, quantity	1
Cable Compression Fittings, quantity	1
Cable Entry Location	Bottom left Bottom right Top left Top right
Cable Type	Pigtails - Stranded
Color	Putty white
Door, quantity	2
Front Door Type	Single hinged
Growth Configuration	Fully loaded
Interface	SC/UPC
Mounting	Wall
Splicing Type	Heat shrink, mass fusion
Total Fibers, quantity	48
Total Ports, quantity	48

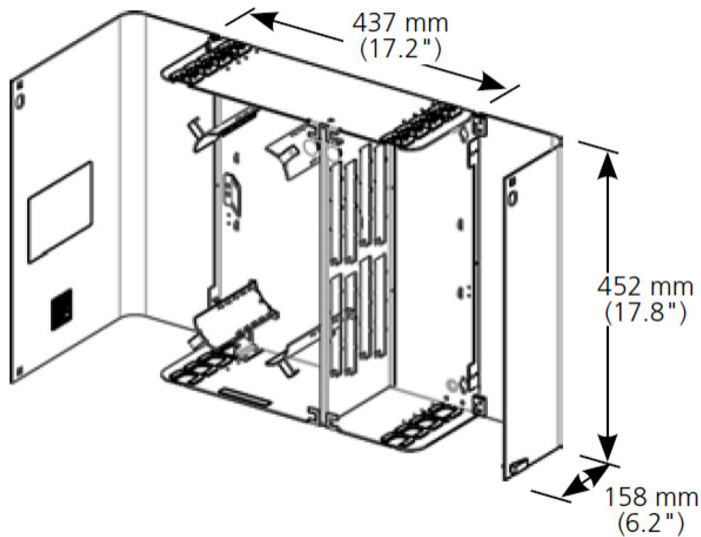
Dimensions

Height	708 mm 27.874 in
---------------	--------------------

FL1-J3777772-1110N

Width	669 mm 26.339 in
Depth	235.97 mm 9.29 in

Outline Drawing



Material Specifications

Finish	Powder coated
Material Type	Steel

Optical Specifications

Fiber Mode	Singlemode
-------------------	------------

Environmental Specifications

Environmental Space	Indoor
Qualification Standards	NEMA type 12

Packaging and Weights

Included	One grounding kit
Packaging quantity	1
Packaging Type	Bag Carton

FL1-J3777772-1110N

Regulatory Compliance/Certifications

Agency	Classification
CHINA-ROHS	Above maximum concentration value
REACH-SVHC	Compliant as per SVHC revision on www.commscope.com/ProductCompliance
ROHS	Compliant/Exempted
UK-ROHS	Compliant/Exempted

