

FL1-J3777772-2222A



FL1000 Fiber Wall Box, 2-door, singlemode SC/UPC, 48-ports, with pigtails and splice tray, 2 cable clamps, 2 compression fittings, 2 grounding kits, 2 strength member tie offs, 1 key lock

- Ideal for small to medium fiber counts within communication rooms or closets at customer sites
- Provides demarcation access for the telecom carrier and the end-user by way of separate compartments
- Guarantees mechanical protection and fiber management for indoor and outdoor cable
- Fully customizable for patch-patch, splice-patch or for the storage of un-terminated (dark) fibers

Product Classification

Regional Availability	North America
Product Type	Fiber wall box
Product Series	FL1000

General Specifications

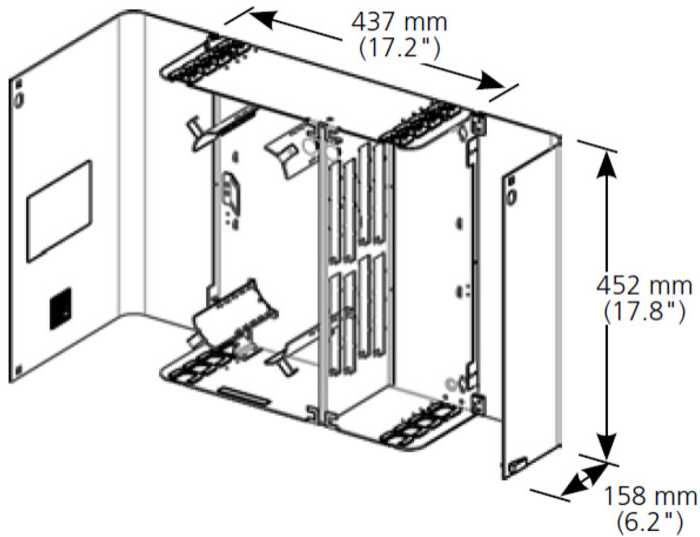
Application	Patching Splicing
Adapter Packs Included, quantity	8
Adapters, quantity	48
Cable Clamps, quantity	2
Cable Compression Fittings, quantity	2
Cable Entry Location	Bottom left Bottom right Top left Top right
Cable Type	Pigtails - Stranded
Color	Putty white
Door, quantity	2
Front Door Type	Single hinged
Growth Configuration	Fully loaded
Interface	SC/UPC
Lock Type	Key lock, type A
Mounting	Wall
Splicing Type	Heat shrink, mass fusion
Total Fibers, quantity	48
Total Ports, quantity	48

FL1-J3777772-2222A

Dimensions

Height	708 mm 27.874 in
Width	669 mm 26.339 in
Depth	235.97 mm 9.29 in

Outline Drawing



Material Specifications

Finish	Powder coated
Material Type	Steel

Optical Specifications

Fiber Mode	Singlemode
-------------------	------------

Environmental Specifications

Environmental Space	Indoor
Qualification Standards	NEMA type 12

Packaging and Weights

Included	Two tie-off adapters
-----------------	----------------------

FL1-J3777772-2222A

Packaging quantity 1
Packaging Type Bag | Carton

Regulatory Compliance/Certifications

Agency	Classification
CHINA-ROHS	Above maximum concentration value
REACH-SVHC	Compliant as per SVHC revision on www.commscope.com/ProductCompliance
ROHS	Compliant/Exempted
UK-ROHS	Compliant/Exempted

