

FL1-G67NNNN2-1000N



FL1000 Fiber Wall Box, 2-door, singlemode SC/UPC, 12-ports, with softwall-bundled pigtails and splice tray, 1 cable clamp

- Ideal for small to medium fiber counts within communication rooms or closets at customer sites
- Provides demarcation access for the telecom carrier and the end-user by way of separate compartments
- Guarantees mechanical protection and fiber management for indoor and outdoor cable
- Fully customizable for patch-patch, splice-patch or for the storage of un-terminated (dark) fibers

Product Classification

Regional Availability	North America
Product Type	Fiber wall box
Product Series	FL1000

General Specifications

Application	Patching Splicing
Adapter Packs Included, quantity	1
Adapters, quantity	6
Cable Clamps, quantity	1
Cable Entry Location	Bottom left Bottom right Top left Top right
Cable Type	Pigtails - Stranded
Color	Putty white
Door, quantity	2
Front Door Type	Single hinged
Growth Configuration	Partially loaded
Interface	SC/UPC
Mounting	Wall
Splicing Type	Heat shrink, mass fusion
Total Fibers, quantity	6
Total Ports, quantity	6

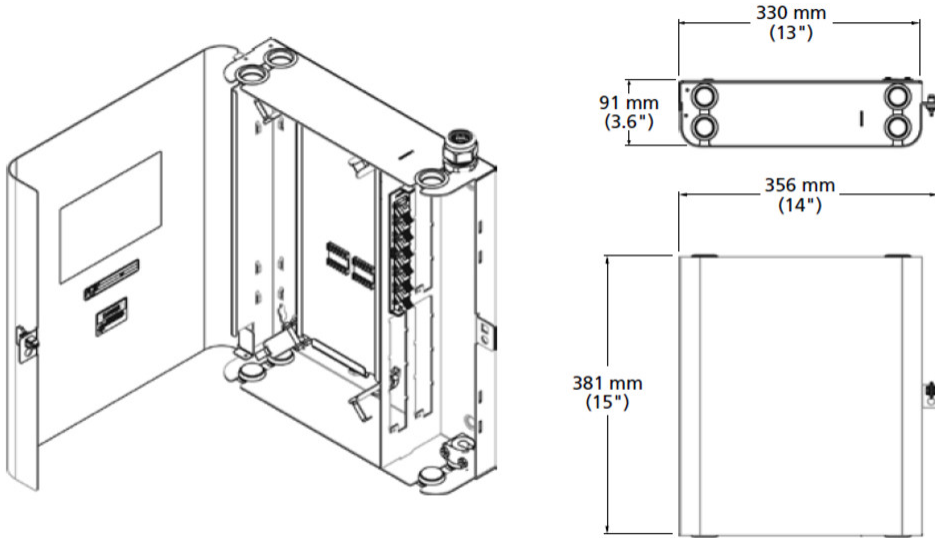
Dimensions

Height	433 mm 17.047 in
Width	511 mm 20.118 in

FL1-G67NNNN2-1000N

Depth 156.97 mm | 6.18 in

Outline Drawing



Material Specifications

Finish Powder coated
Material Type Steel

Optical Specifications

Fiber Mode Singlemode

Environmental Specifications

Environmental Space Indoor
Qualification Standards NEMA type 12

Packaging and Weights

Packaging quantity 1
Packaging Type Bag | Carton

Regulatory Compliance/Certifications

Agency	Classification
CHINA-ROHS	Below maximum concentration value

FL1-G67NNNN2-1000N

REACH-SVHC	Compliant as per SVHC revision on www.commscope.com/ProductCompliance
ROHS	Compliant
UK-ROHS	Compliant

