

FL1-J477772-1000C



FL1000 Fiber Wall Box, 2-door, singlemode SC/UPC, 48-ports, with adapters only, 1 cable clamp, 1 key lock

- Ideal for small to medium fiber counts within communication rooms or closets at customer sites
- Provides demarcation access for the telecom carrier and the end-user by way of separate compartments
- Guarantees mechanical protection and fiber management for indoor and outdoor cable
- Fully customizable for patch-patch, splice-patch or for the storage of un-terminated (dark) fibers

Product Classification

Regional Availability	North America
Product Type	Fiber wall box
Product Series	FL1000

General Specifications

Application	Patching Splicing
Adapter Packs Included, quantity	8
Adapters, quantity	48
Cable Clamps, quantity	1
Cable Entry Location	Bottom left Bottom right Top left Top right
Color	Putty white
Door, quantity	2
Front Door Type	Single hinged
Growth Configuration	Fully loaded
Interface	SC/UPC
Lock Type	Key lock, type A Key lock, type B
Mounting	Wall
Splicing Type	Heat shrink, mass fusion
Total Fibers, quantity	48
Total Ports, quantity	48

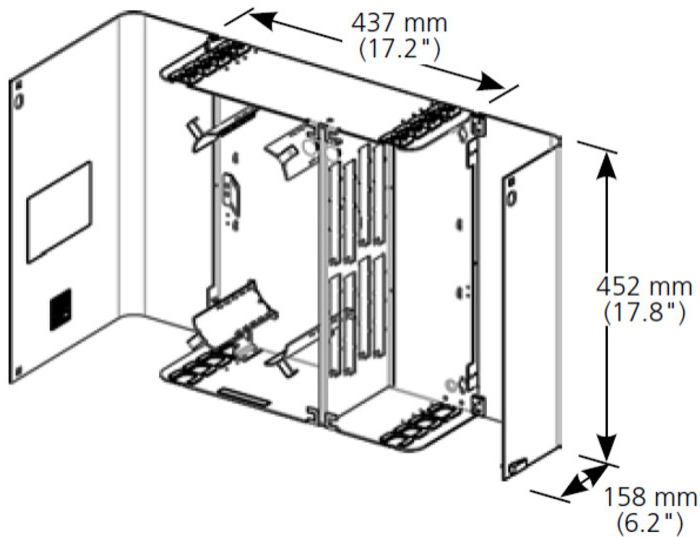
Dimensions

Height	708 mm 27.874 in
Width	669 mm 26.339 in

FL1-J477772-1000C

Depth 235.97 mm | 9.29 in

Outline Drawing



Material Specifications

Finish Powder coated
Material Type Steel

Optical Specifications

Fiber Mode Singlemode

Environmental Specifications

Environmental Space Indoor
Qualification Standards NEMA type 12

Packaging and Weights

Packaging quantity 1
Packaging Type Bag | Carton

Regulatory Compliance/Certifications

FL1-J4777772-1000C

Agency**Classification**

CHINA-ROHS

Above maximum concentration value

REACH-SVHC

Compliant as per SVHC revision on www.commscope.com/ProductCompliance

ROHS

Compliant/Exempted

UK-ROHS

Compliant/Exempted

