

# MST-04MH00-B0400A



MST, Fiber Optic Multiport Service Terminal, 4-port, long 2xN port, locatable flat loose tube cable stub, unterminated, reverse spool, 400 ft

- Hardened connectors are factory-terminated and environmentally sealed for use in optical drop cable deployments
- Plug and play adapter ports ensure rapid cable installment in the outside plant access section of the network
- Multiport Service Terminals incorporate hardened connector technology that is designed to withstand the rugged outside plant environment

## Product Classification

|                              |                                       |
|------------------------------|---------------------------------------|
| <b>Regional Availability</b> | Asia   Latin America   North America  |
| <b>Product Type</b>          | Access terminal, without splitter/tap |
| <b>Product Series</b>        | MST                                   |

## General Specifications

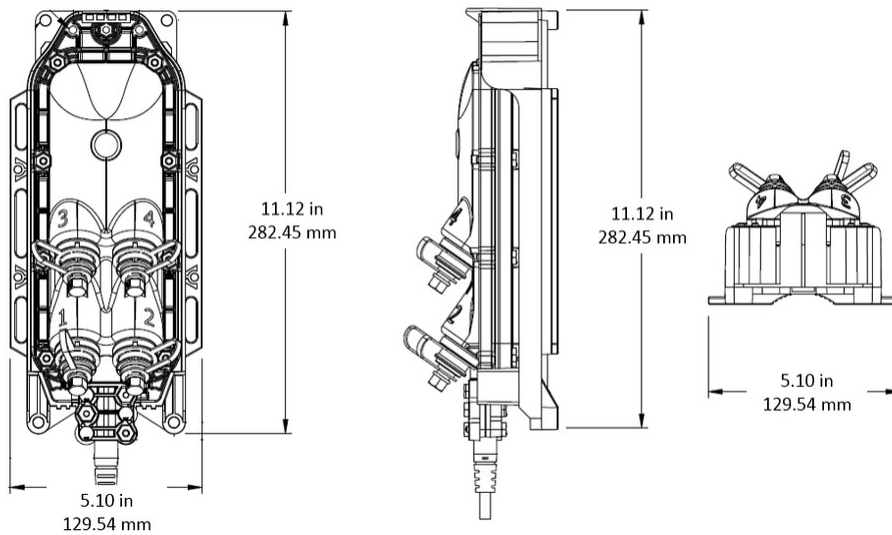
|                           |                                     |
|---------------------------|-------------------------------------|
| <b>Cable Type</b>         | Locatable - Flat - Loose Tube       |
| <b>Cable, quantity</b>    | 1                                   |
| <b>Distribution Type</b>  | 4 ports                             |
| <b>Enclosure Color</b>    | Black                               |
| <b>Mounting</b>           | Handhole   Pedestal   Pole   Strand |
| <b>Port Type</b>          | Hardened full-size SC/APC           |
| <b>Port, quantity</b>     | 4                                   |
| <b>Splitter, quantity</b> | 0                                   |
| <b>Stub Type</b>          | Stub tail                           |

## Dimensions

|                             |                      |
|-----------------------------|----------------------|
| <b>Height</b>               | 282.4 mm   11.118 in |
| <b>Width</b>                | 129.5 mm   5.098 in  |
| <b>Depth</b>                | 84.1 mm   3.311 in   |
| <b>Cable Length, stub</b>   | 400 ft (121 m)       |
| <b>Cable Outer Diameter</b> | 5.0 mm (0.20 in)     |

## Dimension Drawing

# MST-04MH00-B0400A



## Ordering Tree

MST -  MH00 -

### Terminal model

|    |         |
|----|---------|
| 02 | 2 ports |
| 04 | 4 ports |
| 06 | 6 ports |
| 08 | 8 ports |

### Cable type

|   |                              |
|---|------------------------------|
| A | Dielectric, flat, loose tube |
| B | Locatable, flat, loose tube  |
| C | Armored, round, loose tube   |

\*0-300 ft lengths of cable is automatically coiled (option U), for greater than 300 ft cable lengths, choose U or A option.

### Mounting style\*

|   |  |
|---|--|
| U | Universal: Terminal is on top of the spool; stub deploys first                 |
| A | Reversal spool: Terminal is on the bottom of the spool; terminal deploys first |

### Standard cable stub length

|      |           |
|------|-----------|
| 0050 | 50 feet   |
| 0100 | 100 feet  |
| 0250 | 250 feet  |
| 0500 | 500 feet  |
| 0750 | 750 feet  |
| 1000 | 1000 feet |
| 1500 | 1500 feet |
| 2000 | 2000 feet |

Standard lengths shown; metric lengths available

## Material Specifications

### Enclosure Material Type

Gasketed hardened plastic

## Optical Specifications

### Fiber Type

G.657.A1/A2

### Operating Wavelength Range

1260 – 1635 nm

### Attenuation Cable Coefficient, maximum

0.30 dB/km @ 1550 nm | 0.40 dB/km @ 1310 nm

# MST-04MH00-B0400A

|  |         |
|--|---------|
| <b>Attenuation Terminal Connectors, maximum</b>    | 0.4 dB  |
| <b>Directivity, minimum</b>                        | 60 dB   |
| <b>Insertion Loss, Terminal Connector, typical</b> | 0.16 dB |
| <b>Return Loss, Connector, minimum</b>             | 65 dB   |

## Environmental Specifications

|                                |  |
|--------------------------------|--|
| <b>Operating Temperature</b>   | -40 °C to +70 °C (-40 °F to +158 °F)   |
| <b>Relative Humidity</b>       | 5%–100%, condensing  |
| <b>Environmental Space</b>     | Above ground   Below ground   Buried   |
| <b>Flammability Rating</b>     | UL 94 5VA  |
| <b>Qualification Standards</b> | IEC 60529, IP68 + 2 m waterhead   Telcordia GR-3120-CORE   Telcordia GR-326-CORE   Telcordia GR-771-CORE |
| <b>UV Resistance</b>           | UV stabilized  |

## Packaging and Weights

|                              |  |
|------------------------------|--|
| <b>Included</b>              | Enclosure (1)   Universal mounting bracket (1) |
| <b>Packaging quantity</b>    | 1  |
| <b>Packaging Type</b>        | Box   Carton                                   |
| <b>Weight, without cable</b> | 0.86 kg   1.896 lb                             |

## Regulatory Compliance/Certifications

| <b>Agency</b> | <b>Classification</b>  |
|---------------|--|
| CHINA-ROHS    | Above maximum concentration value  |
| ISO 9001:2015 | Designed, manufactured and/or distributed under this quality management system   |
| REACH-SVHC    | Compliant as per SVHC revision on <a href="http://www.commscope.com/ProductCompliance">www.commscope.com/ProductCompliance</a> |
| ROHS          | Compliant/Exempted   |
| UK-ROHS       | Compliant/Exempted   |



## Included Products

|              |   |   |
|--------------|---|---|
| MST-UMB-0204 | – | MST, Fiber Optic Universal Mounting Bracket, 2/4 port |
|--------------|---|---|