

FD4S-B144J00JBB2



FDH 4000, 144 distribution fibers, no splitters loaded, SC/APC, dielectric, loose tube, 100 ft stub, distribution cable all 144f stub and input cable 24 fiber

- Thermoplastic construction provides UV stabilization, flame retardancy, and chemical & impact resistance
- Provides air/water tight seal ensuring protection from flooding and fungus
- Unsurpassed reliability makes it ideal for aerial and below grade applications
- Supports diverse Plug-and-Play splitter and xWDM module Configurations

Product Classification

Regional Availability	Asia Australia/New Zealand EMEA Latin America North America
Product Type	Fiber distribution closure
Product Series	FDH 4000

General Specifications

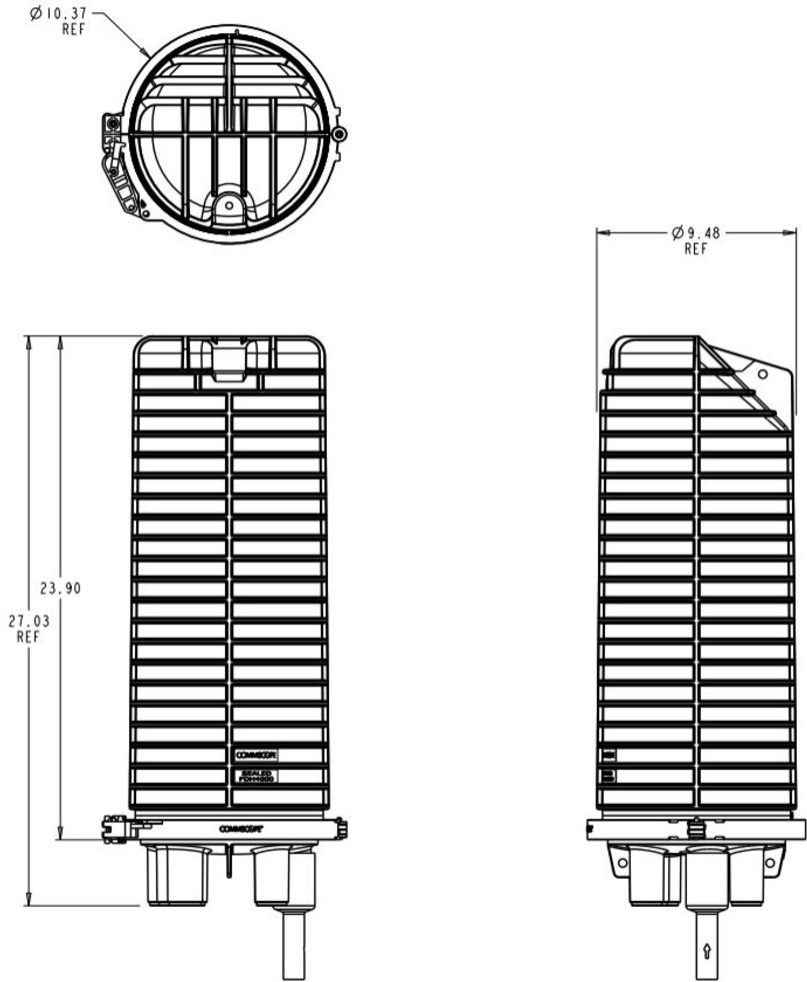
Access	Front
Cable Type	Dielectric - Loose Tube
Color	Black
Distribution Ports, quantity	144
Fibers per Feeder Cable, quantity	24
Interface, Input	SC
Interface Feature, Input	APC
Mounting	Handhole Pole Wall
Splitter Slots, quantity	9

Dimensions

Height	812.8 mm 32 in
Width	241.3 mm 9.5 in
Cable Length	30.48 m 100 ft
Enclosure Size	Small

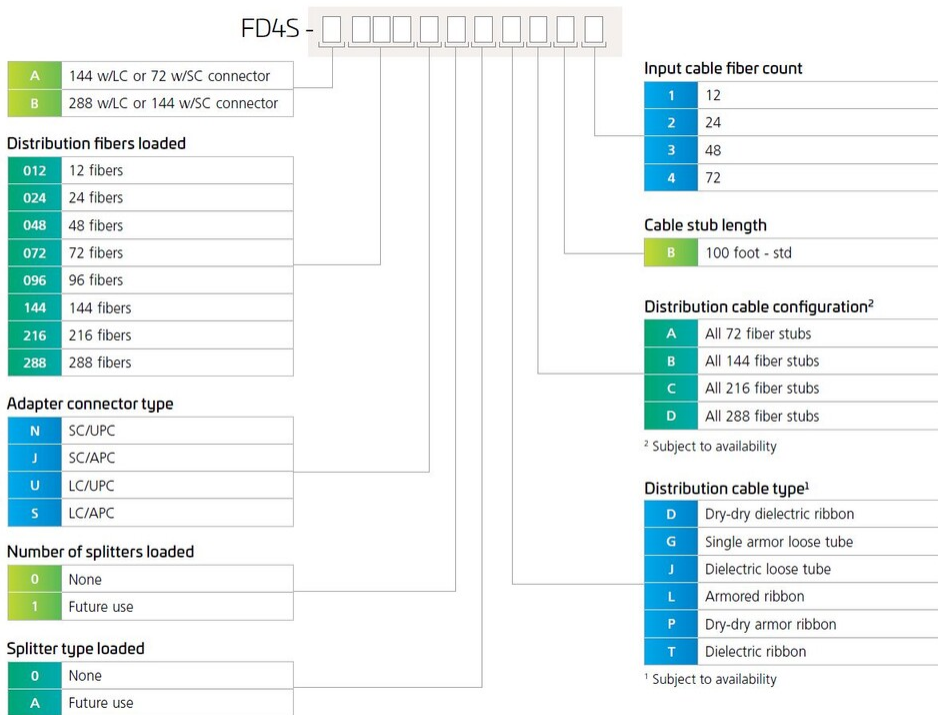
Dimension Drawing

FD4S-B144J00JBB2



Ordering Tree

FD4S-B144J00JBB2



Environmental Specifications

Environmental Space	Above ground Aerial Below ground
Qualification Standards	IEC 60529, IP68 Telcordia GR-3121-CORE Telcordia GR-3125-CORE

Packaging and Weights

Packaging quantity	1
Packaging Type	Pallet
Weight, net	15.876 kg 35 lb

Regulatory Compliance/Certifications

Agency	Classification
CHINA-ROHS	Above maximum concentration value
REACH-SVHC	Compliant as per SVHC revision on www.commscope.com/ProductCompliance
ROHS	Compliant/Exempted
UK-ROHS	Compliant/Exempted

