

# FD4S-B288S00PDB3



FDH 4000, 288 distribution fibers, no splitters loaded, LC/APC, dry-dry armor ribbon, 100 ft stub, distribution cable all 288f stub and input cable 48 fiber

- Thermoplastic construction provides UV stabilization, flame retardancy, and chemical & impact resistance
- Provides air/water tight seal ensuring protection from flooding and fungus
- Unsurpassed reliability makes it ideal for aerial and below grade applications
- Supports diverse Plug-and-Play splitter and xWDM module Configurations

## Product Classification

<b>Regional Availability</b>	Asia   Australia/New Zealand   EMEA   Latin America   North America
<b>Product Type</b>	Fiber distribution closure
<b>Product Series</b>	FDH 4000

## General Specifications

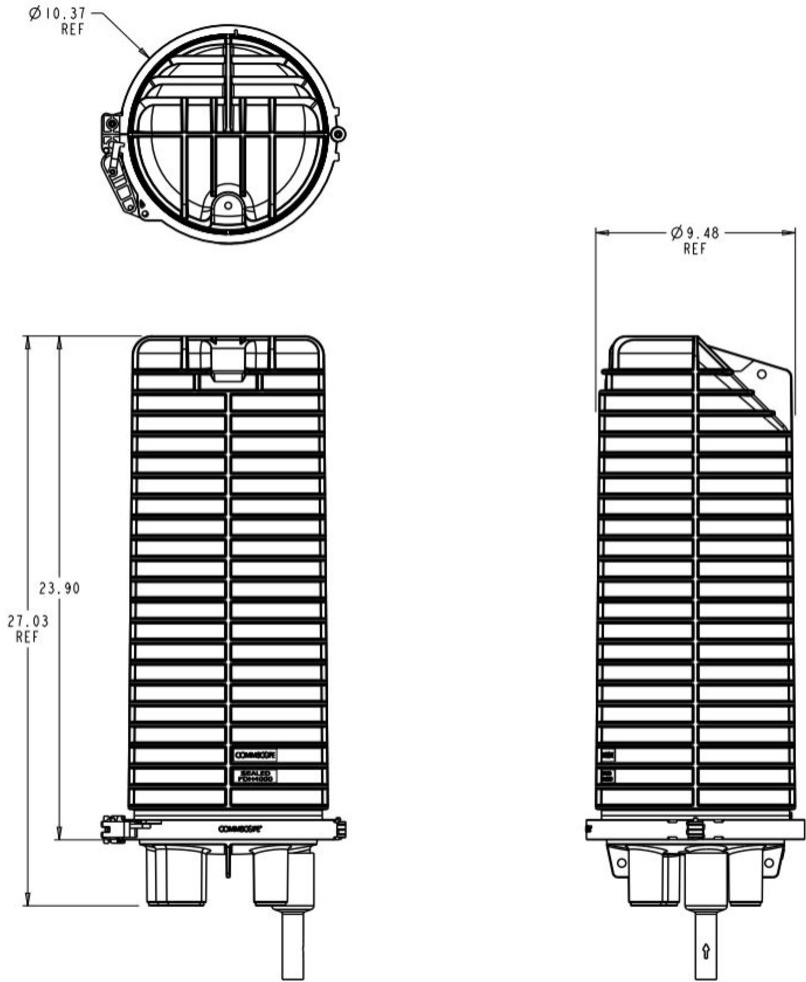
<b>Access</b>	Front
<b>Cable Type</b>	Armored - Ribbon
<b>Color</b>	Black
<b>Distribution Ports, quantity</b>	288
<b>Fibers per Feeder Cable, quantity</b>	48
<b>Interface, Input</b>	LC
<b>Interface Feature, Input</b>	APC
<b>Mounting</b>	Handhole   Pole   Wall
<b>Splitter Slots, quantity</b>	9

## Dimensions

<b>Height</b>	812.8 mm   32 in
<b>Width</b>	241.3 mm   9.5 in
<b>Cable Length</b>	30.48 m   100 ft
<b>Enclosure Size</b>	Small

## Dimension Drawing

# FD4S-B288S00PDB3



## Ordering Tree

