



MFPS Fiber Optic panel, 2RU, 96 fibers/RU, pre-cabled I/O LSZH, 20m, front patch cords orientation to the left, 96 LC/UPC, grade C

- Supplied with connectorized cables from 48F up to 96F, and a stub on the far end (10, 20 or 30m)
- Suitable for cabinets and POP locations
- Supports patch cord diameters of 1.2 to 2.4mm (XD-series require the usage of 1.2mm patch cords)

## Product Classification

|                              |  |
|------------------------------|--|
| <b>Regional Availability</b> | EMEA   |
| <b>Portfolio</b>             | CommScope®                                   |
| <b>Product Type</b>          | Fiber patch panel, with indoor/outdoor cable |
| <b>Product Series</b>        | MFPS   |

## General Specifications

|                                  |                                      |
|----------------------------------|--------------------------------------|
| <b>Functionality</b>             | Patching                             |
| <b>Cable Exit Location</b>       | Side                                 |
| <b>Cable Stub Type</b>           | Indoor/outdoor, stranded             |
| <b>Color</b>                     | Gray                                 |
| <b>Door Type, front</b>          | Compression latch   Hinged           |
| <b>Growth Configuration</b>      | Partially loaded                     |
| <b>Interface, front</b>          | LC/UPC                               |
| <b>Interface, rear</b>           | Stub tail                            |
| <b>Patch Cord Entry Location</b> | Front, left side                     |
| <b>Patch Cord Routing</b>        | Left sided                           |
| <b>Rack Type</b>                 | EIA 19 in   ETSI 600 mm              |
| <b>Rack Units</b>                | 2                                    |
| <b>Shelf Movement</b>            | Hinged                               |
| <b>Total Ports, quantity</b>     | 96                                   |
| <b>Transmission Standards</b>    | ETSI EN 300 019-1-3   IEC 61300-3-34 |

## Dimensions

|               |                  |
|---------------|------------------|
| <b>Height</b> | 88.9 mm   3.5 in |
|---------------|------------------|

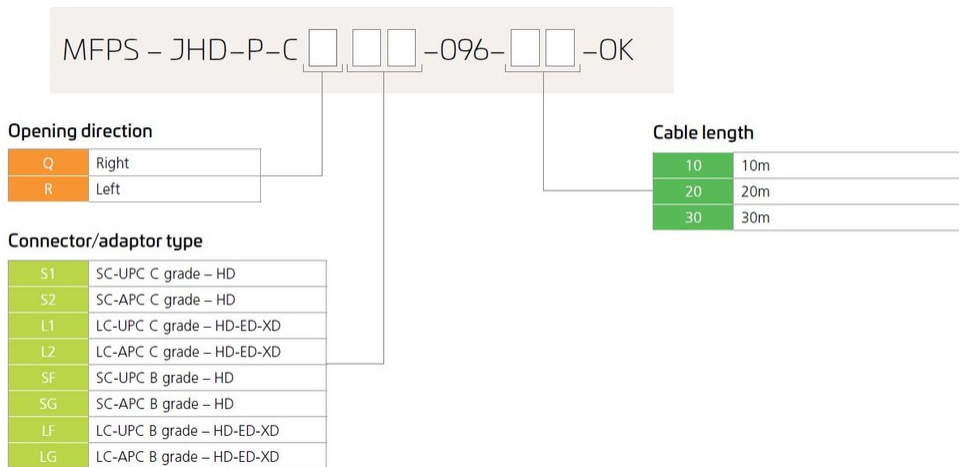
# 760241912 | MFPS-JHD-P-CRL1-096-20-OK

|                     |                      |
|---------------------|----------------------|
| <b>Width</b>        | 482.6 mm   19 in     |
| <b>Depth</b>        | 279.91 mm   11.02 in |
| <b>Cable Length</b> | 20 m   65.617 ft     |

## Port Configuration

| MFPS Capacities |        | 48 |    | 72 | 96              |
|-----------------|--------|----|----|----|-----------------|
| Connector Type  |        | SC | LC | LC | LC Adapter Pack |
| 19 inch         | 1HU    | 48 | 48 | 72 | 96              |
|                 | 2HU    | 96 | 96 |    |                 |
|                 | 2.8 HU |    |    |    |                 |

## Ordering Tree



## Material Specifications

|                      |  |
|----------------------|--|
| <b>Finish</b>        | Powder coated  |
| <b>Material Type</b> | Ethylene-propylene (EP)   Polyethylene terephthalate (PET) |

## Optical Specifications

# 760241912 | MFPS-JHD-P-CRL1-096-20-OK

---

|                          |                  |
|--------------------------|------------------|
| <b>Fiber Mode</b>        | Singlemode       |
| <b>Fiber Type</b>        | G.657.A1         |
| <b>Performance Grade</b> | Standard C grade |

## Environmental Specifications

|   |                                      |
|---|--------------------------------------|
| <b>Operating Temperature</b>                        | -40 °C to +70 °C (-40 °F to +158 °F) |
| <b>Storage Temperature</b>                          | -20 °C to +85 °C (-4 °F to +176 °F)  |
| <b>EN50575 CPR Cable EuroClass Fire Performance</b> | Dca                                  |
| <b>Flammability Rating</b>                          | UL 94 V-0                            |

## Packaging and Weights

|                           |   |
|---------------------------|---|
| <b>Included</b>           | Mounting hardware   One cable termination kit |
| <b>Packaging quantity</b> | 1   |

## Regulatory Compliance/Certifications

| <b>Agency</b> | <b>Classification</b>  |
|---------------|--|
| CHINA-ROHS    | Above maximum concentration value  |
| ISO 9001:2015 | Designed, manufactured and/or distributed under this quality management system   |
| REACH-SVHC    | Compliant as per SVHC revision on <a href="http://www.commscope.com/ProductCompliance">www.commscope.com/ProductCompliance</a> |
| ROHS          | Compliant/Exempted   |
| UK-ROHS       | Compliant/Exempted   |



## \* Footnotes

|                          |   |
|--------------------------|---|
| <b>Performance Grade</b> | Guarantee to meet IEC 61755-1 Random Mating requirement |
|--------------------------|---|