

# NDX-06HGM0U-A0600F



Fiber Indexing Terminal, 1x4 Splitter, 4x3 Port Design, 4 Forward Ports, 1 Reverse Port, Dielectric Flat Loose Tube Cable, 600 Feet

- Fiber Indexing terminals are access terminals using hardened connectivity technology that withstand the rugged outside plant environment
- Fiber Indexing terminals eliminate splicing and use 12-strand fiber cable in a daisy-chain topology, reducing the total required cable length by up to 70%
- Hardened adapters are factory-terminated and environmentally sealed to ensure rapid plug-and-play drop cable installations

## Alternative products available:

HXT-B6HCA0600FN000 NOVUX™ Hardened Indexing Terminal, Full-size Adapter ports, 12F, 1:4 Splitter, 1 Forward port, 1 Reverse port, Dielectric flat loose tube, 600 ft/182 m HMFOC plug (female/no pin) tail

## Product Classification

|                              |  |
|------------------------------|--|
| <b>Regional Availability</b> | North America                          |
| <b>Product Type</b>          | Access terminal, indexed with splitter |
| <b>Product Series</b>        | NDX                                    |

## General Specifications

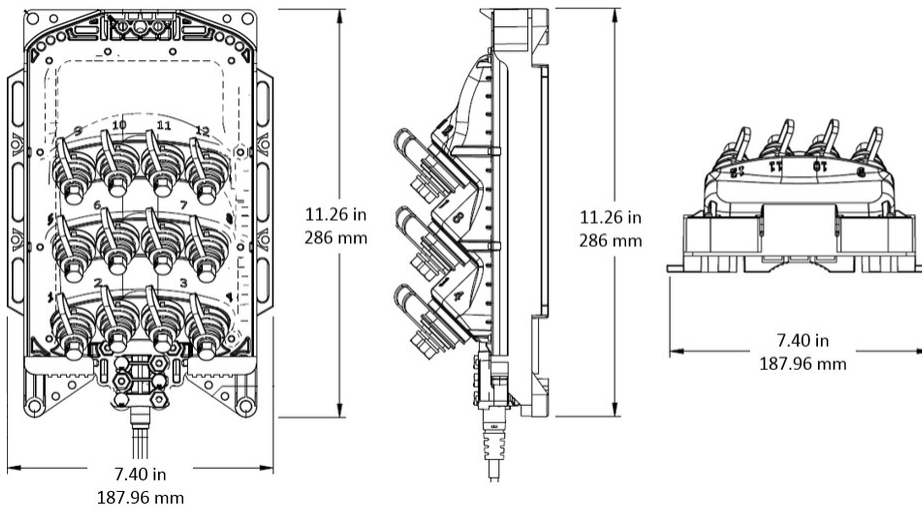
|                               |  |
|-------------------------------|--|
| <b>Cable Type</b>             | Dielectric - Flat - Loose Tube                 |
| <b>Cable, quantity</b>        | 1  |
| <b>Distribution Type</b>      | 1 x 4 splitter                                 |
| <b>Enclosure Color</b>        | Black  |
| <b>Forward Port Type</b>      | Hardened full-size SC/APC adapter              |
| <b>Forward Port, quantity</b> | 4  |
| <b>Mounting</b>               | Handhole   Pedestal   Pole                     |
| <b>Port Type</b>              | Hardened multi-fiber (HMFOC) jack, male/pinned |
| <b>Port, quantity</b>         | 4  |
| <b>Reverse Port Type</b>      | Hardened full-size SC/APC                      |
| <b>Reverse Port, quantity</b> | 1  |
| <b>Splitter, quantity</b>     | 1  |
| <b>Stub Type</b>              | Hardened multi-fiber (HMFOC) plug              |

# NDX-06HGM0U-A0600F

## Dimensions

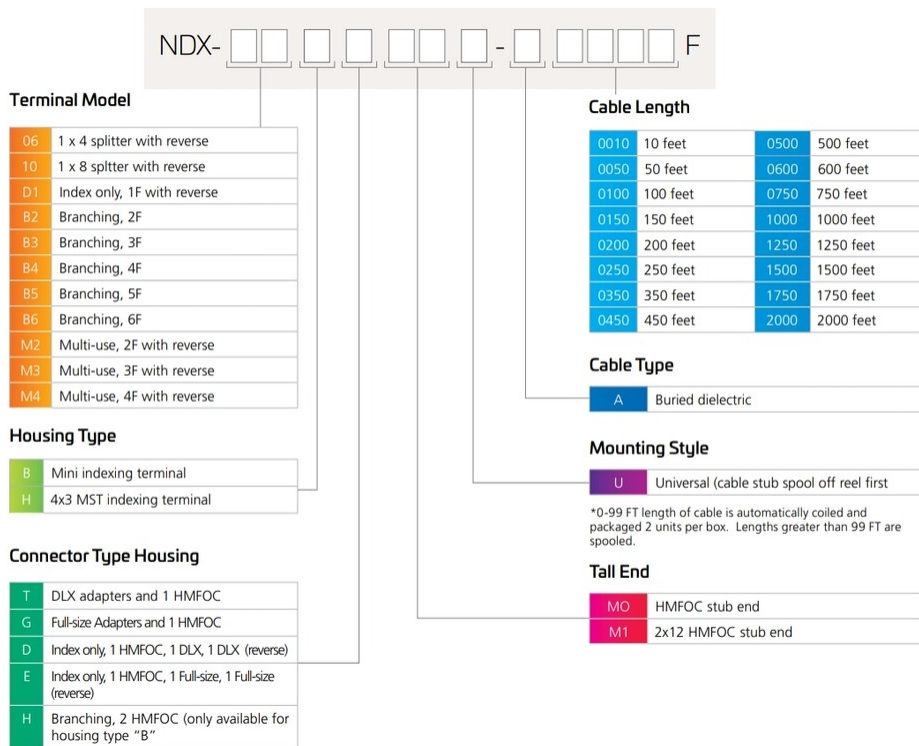
|                             |                               |
|-----------------------------|-------------------------------|
| <b>Height</b>               | 286 mm   11.26 in             |
| <b>Width</b>                | 187.3 mm   7.374 in           |
| <b>Depth</b>                | 95 mm   3.74 in               |
| <b>Cable Length, stub</b>   | 600 ft (182 m)                |
| <b>Cable Outer Diameter</b> | 4.5 x 8.1 mm (0.18 x 0.32 in) |

## Dimension Drawing



## Ordering Tree

# NDX-06HGM0U-A0600F



## Material Specifications

### Enclosure Material Type

Gasketed hardened plastic

## Optical Specifications

### Fiber Type

G.652.D

### Operating Wavelength Range

1260 – 1635 nm

### Attenuation Cable Coefficient, maximum

0.30 dB/km @ 1550 nm | 0.40 dB/km @ 1310 nm

### Attenuation Splitter, maximum

7.1 dB

### Attenuation Terminal Connectors, maximum

0.45 dB

### Directivity, minimum

60 dB

### Uniformity, maximum

0.8 dB

### Insertion Loss, Splitter, typical

6.7 dB

### Insertion Loss, Stub Connector, maximum

0.45 dB

### Insertion Loss, Stub Connector, typical

0.16 dB

### Insertion Loss, Terminal Connector, typical

0.16 dB

### Return Loss, Connector, minimum

65 dB

# NDX-06HGM0U-A0600F

**Return Loss, Single Ports, minimum** 55 dB

## Environmental Specifications

**Operating Temperature** -40 °C to +70 °C (-40 °F to +158 °F)  
**Relative Humidity** 5%–100%, condensing  
**Environmental Space** Above ground | Below ground | Buried  
**Flammability Rating** UL 94 5VA  
**Qualification Standards** IEC 60529, IP68 + 2 m waterhead | NEMA, Type 6 + 10 ft waterhead | Telcordia GR-3120-CORE | Telcordia GR-326-CORE | Telcordia GR-771-CORE  
**UV Resistance** UV stabilized

## Packaging and Weights

**Included** Enclosure (1) | Optical splitter (1) | Universal mounting bracket (1)  
**Packaging quantity** 1  
**Packaging Type** Box | Carton  
**Weight, without cable** 1.36 kg | 2.998 lb

## Regulatory Compliance/Certifications

| Agency        | Classification   |
|---------------|--|
| CHINA-ROHS    | Below maximum concentration value  |
| ISO 9001:2015 | Designed, manufactured and/or distributed under this quality management system   |
| REACH-SVHC    | Compliant as per SVHC revision on <a href="http://www.commscope.com/ProductCompliance">www.commscope.com/ProductCompliance</a> |
| ROHS          | Compliant  |
| UK-ROHS       | Compliant  |



## Included Products

MST-UMB-4312 – Universal MST Mounting Bracket

# MST-UMB-4312

---



## Universal MST Mounting Bracket

### Product Classification

|                              |                                      |
|------------------------------|--------------------------------------|
| <b>Regional Availability</b> | EMEA   Latin America   North America |
| <b>Product Type</b>          | Mounting bracket                     |
| <b>Product Series</b>        | MST   NDX                            |

### General Specifications

|              |       |
|--------------|-------|
| <b>Color</b> | Black |
|--------------|-------|

### Environmental Specifications

|                            |         |
|----------------------------|---------|
| <b>Environmental Space</b> | Outdoor |
|----------------------------|---------|

### Packaging and Weights

|                           |              |
|---------------------------|--------------|
| <b>Packaging quantity</b> | 1            |
| <b>Packaging Type</b>     | Bag   Carton |

### Regulatory Compliance/Certifications

| <b>Agency</b> | <b>Classification</b>   |
|---------------|---|
| CHINA-ROHS    | Below maximum concentration value   |
| REACH-SVHC    | Compliant as per SVHC revision on <a href="https://www.commscope.com/ProductCompliance">www.commscope.com/ProductCompliance</a> |
| ROHS          | Compliant   |
| UK-ROHS       | Compliant   |

