

NDX-B6BHM0U-A1750F



Fiber Indexing Terminal, 6F Branching, Dielectric Loose Tube Cable, 1750 Feet

Product Classification

| | |
|------------------------------|---|
| Regional Availability | North America |
| Product Type | Access terminal, indexed without splitter/tap |
| Product Series | NDX |

General Specifications

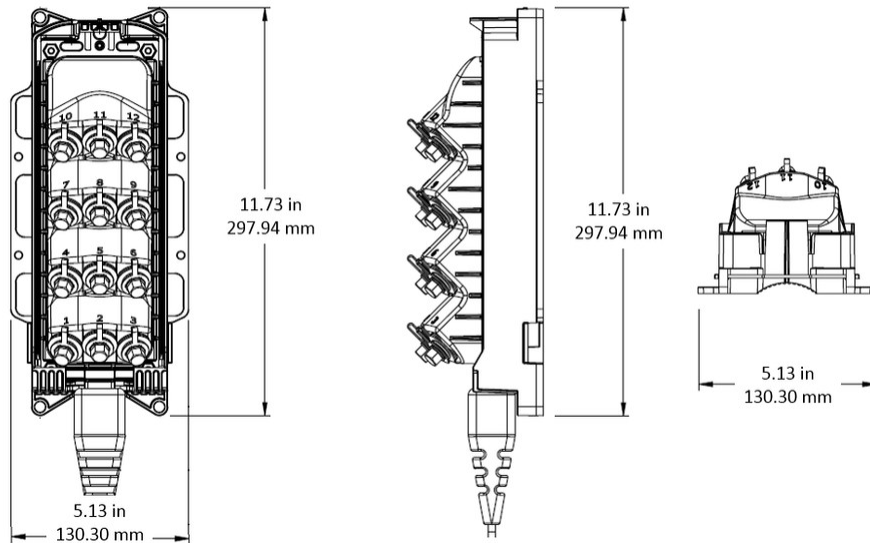
| | |
|---------------------------|-----------------------------------|
| Cable Type | Dielectric - Flat - Loose Tube |
| Cable, quantity | 1 |
| Distribution Type | 6 ports |
| Enclosure Color | Black |
| Mounting | Handhole Pedestal Pole |
| Port Type | Hardened multi-fiber (HMFOC) jack |
| Port, quantity | 6 |
| Splitter, quantity | 0 |
| Stub Type | Hardened multi-fiber (HMFOC) plug |

Dimensions

| | |
|-----------------------------|-------------------------------|
| Height | 297.8 mm 11.724 in |
| Width | 130.3 mm 5.13 in |
| Depth | 90.4 mm 3.559 in |
| Cable Stub Length | 533.4 m 1750 ft |
| Cable Outer Diameter | 4.5 x 8.1 mm (0.18 x 0.32 in) |

Dimension Drawing

NDX-B6BHM0U-A1750F



Ordering Tree

NDX - [] - [] F

Terminal model

| | |
|----|----------------------------|
| 06 | 1 x 4 splitter w/reverse |
| 10 | 1 x 8 splitter w/reverse |
| D1 | Index only, 1F w/reverse |
| B2 | Branching, 2F (DLX only)** |
| B3 | Branching, 3F (DLX only)** |
| B4 | Branching, 4F (DLX only)** |
| B5 | Branching, 5F (DLX only)** |
| B6 | Branching, 6F (DLX only)** |

Housing type

| | |
|---|-----------------------|
| B | DLX indexing terminal |
| H | 4x3 indexing terminal |

Connector type housing

| | |
|---|---|
| T | DLX adapters and 1 HMFOC |
| G | Full-size adapters and 1 HMFOC |
| D | Index only, 1 HMFOC, 1 DLX, 1 DLX (reverse) |
| E | Index only, 1 HMFOC, 1 full-size, 1 full-size (reverse) |
| H | Branching, 2 HMFOC (only available for housing type "B" - DLX) ** |

Cable length

| | | | |
|------|----------|------|------------|
| 0010 | 10 feet | 0500 | 500 feet |
| 0050 | 50 feet | 0600 | 600 feet |
| 0100 | 100 feet | 0750 | 750 feet |
| 0150 | 150 feet | 1000 | 1,000 feet |
| 0200 | 200 feet | 1250 | 1,250 feet |
| 0250 | 250 feet | 1500 | 1,500 feet |
| 0350 | 350 feet | 1750 | 1,750 feet |
| 0450 | 450 feet | 2000 | 2,000 feet |

Cable type

| | |
|---|------------------------|
| A | Buried dielectric—flat |
|---|------------------------|

Mounting style

| | |
|---|---|
| U | Universal (Terminal is on top of the spool; stub deploys first) |
|---|---|

Tail end

| | |
|----|----------------|
| M0 | HMFOC stub end |
|----|----------------|

Material Specifications

Enclosure Material Type

Gasketed hardened plastic

Optical Specifications

NDX-B6BHM0U-A1750F

| | |
|--|---|
| Fiber Type | G.652.D |
| Attenuation, maximum | 0.30 dB/km @ 1550 nm 0.40 dB/km @ 1310 nm |
| Directivity, minimum | 60 dB |
| Wavelength Range | 1260–1635 nm |
| Insertion Loss, Stub Connector, maximum | 0.45 dB |
| Insertion Loss, Stub Connector, typical | 0.16 dB |
| Insertion Loss, Terminal Connector, maximum | 0.45 dB |
| Insertion Loss, Terminal Connector, typical | 0.16 dB |
| Return Loss, Connector, minimum | 65 dB |

Environmental Specifications

| | |
|--------------------------------|---|
| Operating Temperature | -40 °C to +70 °C (-40 °F to +158 °F) |
| Relative Humidity | 5%–100%, condensing |
| Environmental Space | Above ground Below ground Buried |
| Flammability Rating | UL 94 V-0 |
| Qualification Standards | IEC 60529, IP68 + 2 m waterhead NEMA, Type 6 + 10 ft waterhead Telcordia GR-3120-CORE Telcordia GR-326-CORE Telcordia GR-771-CORE |
| UV Resistance | UV stabilized |

Packaging and Weights

| | |
|------------------------------|--|
| Included | Enclosure (1) Universal mounting bracket (1) |
| Packaging quantity | 1 |
| Packaging Type | Box Carton |
| Weight, without cable | 1 kg 2.205 lb |

Regulatory Compliance/Certifications

| Agency | Classification |
|---------------|--|
| CHINA-ROHS | Below maximum concentration value |
| ISO 9001:2015 | Designed, manufactured and/or distributed under this quality management system |
| REACH-SVHC | Compliant as per SVHC revision on www.commscope.com/ProductCompliance |
| ROHS | Compliant |



NDX-B6BHM0U-A1750F

Included Products

MST-UMB-MINI – DLX® Mini-MST, Fiber Optic Universal Mounting Bracket

MST-UMB-MINI



DLX® Mini-MST, Fiber Optic Universal Mounting Bracket

Product Classification

| | |
|------------------------------|--------------------------------------|
| Regional Availability | EMEA Latin America North America |
| Product Type | Mounting bracket |
| Product Brand | DLX® |
| Product Series | Mini-MST |

General Specifications

| | |
|--------------|-------|
| Color | Black |
|--------------|-------|

Environmental Specifications

| | |
|----------------------------|---------|
| Environmental Space | Outdoor |
|----------------------------|---------|

Packaging and Weights

| | |
|---------------------------|--------------|
| Packaging quantity | 1 |
| Packaging Type | Bag Carton |

Regulatory Compliance/Certifications

| Agency | Classification |
|---------------|--|
| CHINA-ROHS | Below maximum concentration value |
| REACH-SVHC | Compliant as per SVHC revision on www.commscope.com/ProductCompliance |
| ROHS | Compliant |

