

# C300-NMNM

---

## Base Product



CNT-300 CNT® Jumper with interface types N Male and N Male, variable length

## Product Classification

<b>Product Type</b>	Braided cable assembly
<b>Product Brand</b>	CNT®
<b>Product Series</b>	CNT-300

## General Specifications

<b>Attachment, Connector A</b>	Factory attached
<b>Attachment, Connector B</b>	Factory attached
<b>Body Style, Connector A</b>	Straight
<b>Body Style, Connector B</b>	Straight
<b>Cable Family</b>	CNT-300
<b>Interface, Connector A</b>	N Male
<b>Interface, Connector B</b>	N Male
<b>Specification Sheet Revision Level</b>	A
<b>Variable Length</b>	For custom lengths contact 828-324-2200 or 1-800-982-1708 (toll free), or your local CommScope representative

## Dimensions

<b>Length</b>	0 m   0 ft
<b>Nominal Size</b>	0.300 in

## VSWR/Return Loss

Frequency Band	VSWR	Return Loss (dB)
700–3000 MHz	1.433	14.99

## Jumper Assembly Sample Label

# C300-NMNM



## Regulatory Compliance/Certifications

Agency	Classification
ISO 9001:2015	Designed, manufactured and/or distributed under this quality management system

## Included Products

- |              |  |
|--------------|--|
| 300APNM-C    | - Type N Male for CNT-300 braided cable  |
| CNT-300      | - CNT-300, CNT® 50 Ohm Braided Coaxial Cable, black PE jacket  |
| CNT-300-SFR  | - CNT-300-SFR, CNT® 50 Ohm Braided Coaxial Cable, black non-halogenated, fire retardant polyolefin jacket, Class B2ca, -s1a, d1, a1  |
| CNT-300A     | - CNT-300, CNT® 50 Ohm Braided Coaxial Cable, black PE jacket  |
| CNT-300A-LB  | - CNT-300, CNT® 50 Ohm Low Braided Coverage Coaxial Cable, black non-halogenated jacket  |
| CNT-300A-SFR | - CNT-300A-SFR, CNT® 50 Ohm Braided Coaxial Cable, black non-halogenated, fire retardant polyolefin jacket, Class B2ca, -s1a, d1, a1 |

# 300APNM-C

---



Type N Male for CNT-300 braided cable

## Product Classification

<b>Product Type</b>	Braided cable connector
<b>Product Brand</b>	CNT®

## General Specifications

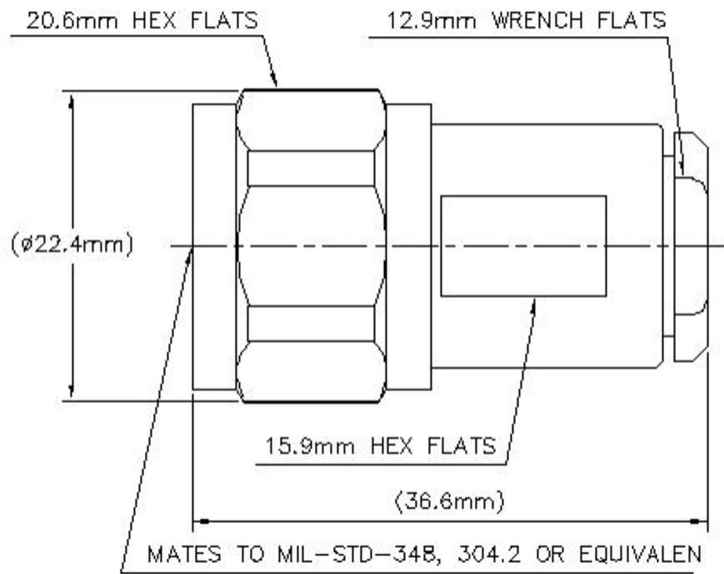
<b>Body Style</b>	Straight
<b>Inner Contact Attachment Method</b>	Captivated
<b>Inner Contact Plating</b>	Gold
<b>Interface</b>	N Male
<b>Outer Contact Attachment Method</b>	Clamp
<b>Outer Contact Plating</b>	Trimetal

## Dimensions

<b>Width</b>	20.62 mm   0.812 in
<b>Length</b>	36.64 mm   1.443 in
<b>Diameter</b>	22.35 mm   0.88 in
<b>Nominal Size</b>	0.300 in

## Outline Drawing

# 300APNM-C



## Electrical Specifications

<b>Insertion Loss, typical</b>	0.05 dB
<b>Average Power at Frequency</b>	360.0 W @ 900 MHz
<b>Cable Impedance</b>	50 ohm
<b>Connector Impedance</b>	50 ohm
<b>dc Test Voltage</b>	2000 V
<b>Inner Contact Resistance, maximum</b>	1 mOhm
<b>Insulation Resistance, minimum</b>	5000 MOhm
<b>Operating Frequency Band</b>	0 – 6000 MHz
<b>Outer Contact Resistance, maximum</b>	0.25 mOhm
<b>Peak Power, maximum</b>	10 kW
<b>RF Operating Voltage, maximum (vrms)</b>	707 V

## VSWR/Return Loss

Frequency Band	VSWR	Return Loss (dB)
0–3000 MHz	1.065	30.04
3000–6000 MHz	1.222	20.01

## Mechanical Specifications

<b>Connector Retention Tensile Force</b>	220 N   49.458 lbf
--	--------------------

# 300APNM-C

---

<b>Connector Retention Torque</b>	0.45 N-m   3.983 in lb
<b>Coupling Nut Proof Torque</b>	1.7 N-m   15.046 in lb
<b>Coupling Nut Proof Torque Method</b>	IEC 61169-16:9.3.6
<b>Coupling Nut Retention Force</b>	450 N   101.164 lbf
<b>Coupling Nut Retention Force Method</b>	IEC 61169-16:9.3.11
<b>Interface Durability</b>	500 cycles
<b>Interface Durability Method</b>	IEC 61169-16:9.5
<b>Mechanical Shock Test Method</b>	IEC 60068-2-27

## Environmental Specifications

<b>Operating Temperature</b>	-40 °C to +85 °C (-40 °F to +185 °F)
<b>Storage Temperature</b>	-65 °C to +125 °C (-85 °F to +257 °F)
<b>Attenuation, Ambient Temperature</b>	20 °C   68 °F
<b>Average Power, Ambient Temperature</b>	40 °C   104 °F
<b>Average Power, Inner Conductor Temperature</b>	100 °C   212 °F
<b>Climatic Sequence Test Method</b>	IEC 60068-1
<b>Corrosion Test Method</b>	IEC 60068-2-11
<b>Damp Heat Steady State Test Method</b>	IEC 60068-2-3
<b>Immersion Depth</b>	1 m
<b>Immersion Test Mating</b>	Mated
<b>Immersion Test Method</b>	IEC 60529:2001, IP68
<b>Thermal Shock Test Method</b>	IEC 60068-2-14
<b>Vibration Test Method</b>	IEC 60068-2-6

## Packaging and Weights

<b>Weight, net</b>	57.62 g   0.127 lb
--------------------	--------------------

## Regulatory Compliance/Certifications

<b>Agency</b>	<b>Classification</b>
ISO 9001:2015	Designed, manufactured and/or distributed under this quality management system

## \* Footnotes

<b>Insertion Loss, typical</b>	0.05√freq (GHz) (not applicable for elliptical waveguide)
--------------------------------	---

# 300APNM-C

---

**Immersion Depth**      Immersion at specified depth for 24 hours

# CNT-300

---

CNT-300, CNT® 50 Ohm Braided Coaxial Cable, black PE jacket



## Product Classification

<b>Product Type</b>	Braided coaxial cable
<b>Product Brand</b>	CNT®
<b>Product Series</b>	CNT-300

## General Specifications

<b>Braid Coverage</b>	87 %
<b>Cable Type</b>	CNT-300
<b>Jacket Color</b>	Black

## Dimensions

<b>Diameter Over Dielectric</b>	4.83 mm   0.19 in
<b>Diameter Over Jacket</b>	7.62 mm   0.3 in
<b>Diameter Over Tape</b>	5.003 mm   0.197 in
<b>Inner Conductor OD</b>	1.78 mm   0.07 in
<b>Outer Conductor OD</b>	5.66 mm   0.223 in
<b>Nominal Size</b>	0.300 in

## Electrical Specifications

<b>Cable Impedance</b>	50 ohm
<b>Capacitance</b>	80.4 pF/m   24.506 pF/ft
<b>dc Resistance, Inner Conductor</b>	6.96 ohms/km   2.121 ohms/kft
<b>dc Resistance, Outer Conductor</b>	8.5 ohms/km   2.591 ohms/kft
<b>dc Test Voltage</b>	2500 V
<b>Jacket Spark Test Voltage (rms)</b>	3500 V

# CNT-300

---

<b>Maximum Frequency</b>	24.5 GHz
<b>Operating Frequency Band</b>	30 – 6000 MHz
<b>Peak Power</b>	10 kW
<b>Shielding Effectiveness</b>	90 dB
<b>Velocity</b>	83 %

## Material Specifications

<b>Braid Material</b>	Tinned copper
<b>Dielectric Material</b>	Foam PE
<b>Jacket Material</b>	PE
<b>Inner Conductor Material</b>	Copper
<b>Shield Tape Material</b>	Aluminum

## Mechanical Specifications

<b>Minimum Bend Radius, single Bend</b>	22.352 mm   0.88 in
<b>Tensile Strength</b>	55 kg   121.254 lb
<b>Bending Moment</b>	0.5 N-m   4.425 in lb
<b>Flat Plate Crush Strength</b>	0.5 kg/mm   27.999 lb/in

## Environmental Specifications

<b>Installation temperature</b>	-40 °C to +85 °C (-40 °F to +185 °F)
<b>Operating Temperature</b>	-40 °C to +85 °C (-40 °F to +185 °F)
<b>Storage Temperature</b>	-70 °C to +85 °C (-94 °F to +185 °F)

## Packaging and Weights

<b>Cable weight</b>	0.06 kg/m   0.04 lb/ft
<b>Packaging Type</b>	Reel

## Regulatory Compliance/Certifications

<b>Agency</b>	<b>Classification</b>
CHINA-ROHS	Below maximum concentration value
ISO 9001:2015	Designed, manufactured and/or distributed under this quality management system
REACH-SVHC	Compliant as per SVHC revision on <a href="http://www.commscope.com/ProductCompliance">www.commscope.com/ProductCompliance</a>
ROHS	Compliant



# CNT-300

---

UK-ROHS

Compliant



# CNT-300-SFR

---



CNT-300-SFR, CNT® 50 Ohm Braided Coaxial Cable, black non-halogenated, fire retardant polyolefin jacket, Class B2ca, -s1a, d1, a1

## Product Classification

<b>Product Type</b>	Braided coaxial cable
<b>Product Brand</b>	CNT®
<b>Product Series</b>	CNT-300

## General Specifications

<b>Braid Coverage</b>	87 %
<b>Cable Type</b>	CNT-300
<b>Jacket Color</b>	Black

## Dimensions

<b>Diameter Over Dielectric</b>	4.83 mm   0.19 in
<b>Diameter Over Jacket</b>	7.62 mm   0.3 in
<b>Diameter Over Tape</b>	5.003 mm   0.197 in
<b>Inner Conductor OD</b>	1.78 mm   0.07 in
<b>Outer Conductor OD</b>	5.66 mm   0.223 in
<b>Nominal Size</b>	0.300 in

## Electrical Specifications

<b>Cable Impedance</b>	50 ohm
<b>Capacitance</b>	80.4 pF/m   24.506 pF/ft
<b>dc Resistance, Inner Conductor</b>	6.96 ohms/km   2.121 ohms/kft
<b>dc Resistance, Outer Conductor</b>	8.5 ohms/km   2.591 ohms/kft
<b>dc Test Voltage</b>	2500 V
<b>Jacket Spark Test Voltage (rms)</b>	3500 V

# CNT-300-SFR

---

<b>Maximum Frequency</b>	24.5 GHz
<b>Operating Frequency Band</b>	30 – 6000 MHz
<b>Peak Power</b>	10 kW
<b>Shielding Effectiveness</b>	90 dB
<b>Velocity</b>	83 %

## Material Specifications

<b>Braid Material</b>	Tinned copper
<b>Dielectric Material</b>	Foam PE
<b>Jacket Material</b>	Non-halogenated, fire retardant polyolefin
<b>Inner Conductor Material</b>	Copper
<b>Shield Tape Material</b>	Aluminum

## Mechanical Specifications

<b>Minimum Bend Radius, single Bend</b>	22.352 mm   0.88 in
<b>Tensile Strength</b>	55 kg   121.254 lb
<b>Bending Moment</b>	0.5 N-m   4.425 in lb
<b>Flat Plate Crush Strength</b>	0.5 kg/mm   27.999 lb/in

## Environmental Specifications

<b>Installation temperature</b>	-40 °C to +60 °C (-40 °F to +140 °F)
<b>Operating Temperature</b>	-40 °C to +60 °C (-40 °F to +140 °F)
<b>Storage Temperature</b>	-40 °C to +60 °C (-40 °F to +140 °F)
<b>EN50575 CPR Cable EuroClass Fire Performance</b>	B2ca
<b>EN50575 CPR Cable EuroClass Smoke Rating</b>	s1a
<b>EN50575 CPR Cable EuroClass Droplets Rating</b>	d0
<b>EN50575 CPR Cable EuroClass Acidity Rating</b>	a1
<b>Smoke Index Test Method</b>	IEC 61034
<b>Toxicity Index Test Method</b>	IEC 60754-2

## Packaging and Weights

<b>Cable weight</b>	0.06 kg/m   0.04 lb/ft
<b>Packaging Type</b>	Reel

# CNT-300-SFR

---

## Regulatory Compliance/Certifications

Agency	Classification
CENELEC	EN 50575 compliant, Declaration of Performance (DoP) available
ISO 9001:2015	Designed, manufactured and/or distributed under this quality management system



# CNT-300A

---

CNT-300, CNT® 50 Ohm Braided Coaxial Cable, black PE jacket



## Product Classification

<b>Product Type</b>	Braided coaxial cable
<b>Product Brand</b>	CNT®
<b>Product Series</b>	CNT-300

## General Specifications

<b>Braid Coverage</b>	87 %
<b>Cable Type</b>	CNT-300
<b>Jacket Color</b>	Black

## Dimensions

<b>Diameter Over Dielectric</b>	4.83 mm   0.19 in
<b>Diameter Over Jacket</b>	7.62 mm   0.3 in
<b>Diameter Over Tape</b>	5.003 mm   0.197 in
<b>Inner Conductor OD</b>	1.78 mm   0.07 in
<b>Outer Conductor OD</b>	5.66 mm   0.223 in
<b>Nominal Size</b>	0.300 in

## Electrical Specifications

<b>Cable Impedance</b>	50 ohm
<b>Capacitance</b>	80.4 pF/m   24.506 pF/ft
<b>dc Resistance, Inner Conductor</b>	11.05 ohms/km   3.368 ohms/kft
<b>dc Resistance, Outer Conductor</b>	8.5 ohms/km   2.591 ohms/kft
<b>dc Test Voltage</b>	2500 V
<b>Jacket Spark Test Voltage (rms)</b>	3500 V

# CNT-300A

---

<b>Maximum Frequency</b>	24.5 GHz
<b>Operating Frequency Band</b>	30 – 6000 MHz
<b>Peak Power</b>	10 kW
<b>Shielding Effectiveness</b>	90 dB
<b>Velocity</b>	83 %

## Material Specifications

<b>Braid Material</b>	Tinned copper
<b>Dielectric Material</b>	Foam PE
<b>Jacket Material</b>	PE
<b>Inner Conductor Material</b>	Copper-clad aluminum wire
<b>Shield Tape Material</b>	Aluminum

## Mechanical Specifications

<b>Minimum Bend Radius, single Bend</b>	22.352 mm   0.88 in
<b>Tensile Strength</b>	23 kg   50.706 lb
<b>Bending Moment</b>	0.5 N-m   4.425 in lb
<b>Flat Plate Crush Strength</b>	0.5 kg/mm   27.999 lb/in

## Environmental Specifications

<b>Installation temperature</b>	-40 °C to +85 °C (-40 °F to +185 °F)
<b>Operating Temperature</b>	-40 °C to +85 °C (-40 °F to +185 °F)
<b>Storage Temperature</b>	-70 °C to +85 °C (-94 °F to +185 °F)

## Packaging and Weights

<b>Cable weight</b>	0.06 kg/m   0.04 lb/ft
<b>Packaging Type</b>	Reel

## Regulatory Compliance/Certifications

<b>Agency</b>	<b>Classification</b>
CHINA-ROHS	Below maximum concentration value
ISO 9001:2015	Designed, manufactured and/or distributed under this quality management system
REACH-SVHC	Compliant as per SVHC revision on <a href="http://www.commscope.com/ProductCompliance">www.commscope.com/ProductCompliance</a>
ROHS	Compliant

# CNT-300A

---

UK-ROHS

Compliant



# CNT-300A-LB

---

CNT-300, CNT® 50 Ohm Low Braided Coverage Coaxial Cable, black non-halogenated jacket



## Product Classification

<b>Product Type</b>	Braided coaxial cable
<b>Product Brand</b>	CNT®
<b>Product Series</b>	CNT-300

## General Specifications

<b>Braid Coverage</b>	60 %
<b>Cable Type</b>	CNT-300
<b>Jacket Color</b>	Black

## Dimensions

<b>Diameter Over Dielectric</b>	4.83 mm   0.19 in
<b>Diameter Over Jacket</b>	7.62 mm   0.3 in
<b>Diameter Over Tape</b>	5.003 mm   0.197 in
<b>Inner Conductor OD</b>	1.78 mm   0.07 in
<b>Nominal Size</b>	0.300 in

## Electrical Specifications

<b>Cable Impedance</b>	50 ohm
<b>Capacitance</b>	80.4 pF/m   24.506 pF/ft
<b>dc Resistance, Inner Conductor</b>	11.05 ohms/km   3.368 ohms/kft
<b>dc Resistance, Outer Conductor</b>	14.95 ohms/km   4.557 ohms/kft
<b>dc Test Voltage</b>	2500 V
<b>Jacket Spark Test Voltage (rms)</b>	3500 V
<b>Maximum Frequency</b>	24.5 GHz



# CNT-300A-LB

---

<b>Operating Frequency Band</b>	30 – 6000 MHz
<b>Peak Power</b>	10 kW
<b>Shielding Effectiveness</b>	85 dB
<b>Velocity</b>	83 %

## Material Specifications

<b>Braid Material</b>	Tinned copper
<b>Dielectric Material</b>	Foam PE
<b>Jacket Material</b>	Non-halogenated PE
<b>Inner Conductor Material</b>	Copper-clad aluminum wire
<b>Shield Tape Material</b>	Aluminum

## Mechanical Specifications

<b>Minimum Bend Radius, single Bend</b>	22.352 mm   0.88 in
<b>Tensile Strength</b>	20 kg   44.092 lb
<b>Bending Moment</b>	0.3 N-m   2.655 in lb
<b>Flat Plate Crush Strength</b>	0.5 kg/mm   27.999 lb/in

## Environmental Specifications

<b>Installation temperature</b>	-40 °C to +85 °C (-40 °F to +185 °F)
<b>Operating Temperature</b>	-40 °C to +85 °C (-40 °F to +185 °F)
<b>Storage Temperature</b>	-70 °C to +85 °C (-94 °F to +185 °F)

## Packaging and Weights

<b>Cable weight</b>	0.05 kg/m   0.034 lb/ft
<b>Packaging Type</b>	Reel

## Regulatory Compliance/Certifications

<b>Agency</b>	<b>Classification</b>
ISO 9001:2015	Designed, manufactured and/or distributed under this quality management system

# CNT-300A-SFR

---

CNT-300A-SFR, CNT® 50 Ohm Braided Coaxial Cable, black non-halogenated, fire retardant polyolefin jacket, Class B2ca, -s1a, d1, a1



## Product Classification

<b>Product Type</b>	Braided coaxial cable
<b>Product Brand</b>	CNT®
<b>Product Series</b>	CNT-300

## General Specifications

<b>Braid Coverage</b>	87 %
<b>Cable Type</b>	CNT-300
<b>Jacket Color</b>	Black

## Dimensions

<b>Diameter Over Dielectric</b>	4.83 mm   0.19 in
<b>Diameter Over Jacket</b>	7.62 mm   0.3 in
<b>Diameter Over Tape</b>	5.003 mm   0.197 in
<b>Inner Conductor OD</b>	1.78 mm   0.07 in
<b>Outer Conductor OD</b>	5.66 mm   0.223 in
<b>Nominal Size</b>	0.300 in

## Electrical Specifications

<b>Cable Impedance</b>	50 ohm
<b>Capacitance</b>	80.4 pF/m   24.506 pF/ft
<b>dc Resistance, Inner Conductor</b>	11.05 ohms/km   3.368 ohms/kft
<b>dc Resistance, Outer Conductor</b>	8.5 ohms/km   2.591 ohms/kft
<b>dc Test Voltage</b>	2500 V
<b>Jacket Spark Test Voltage (rms)</b>	3500 V

# CNT-300A-SFR

---

<b>Maximum Frequency</b>	24.5 GHz
<b>Operating Frequency Band</b>	30 – 6000 MHz
<b>Peak Power</b>	10 kW
<b>Shielding Effectiveness</b>	90 dB
<b>Velocity</b>	83 %

## Material Specifications

<b>Braid Material</b>	Tinned copper
<b>Dielectric Material</b>	Foam PE
<b>Jacket Material</b>	Non-halogenated, fire retardant polyolefin
<b>Inner Conductor Material</b>	Copper-clad aluminum wire
<b>Shield Tape Material</b>	Aluminum

## Mechanical Specifications

<b>Minimum Bend Radius, single Bend</b>	22.352 mm   0.88 in
<b>Tensile Strength</b>	23 kg   50.706 lb
<b>Bending Moment</b>	0.5 N-m   4.425 in lb
<b>Flat Plate Crush Strength</b>	0.5 kg/mm   27.999 lb/in

## Environmental Specifications

<b>Installation temperature</b>	-40 °C to +60 °C (-40 °F to +140 °F)
<b>Operating Temperature</b>	-40 °C to +60 °C (-40 °F to +140 °F)
<b>Storage Temperature</b>	-40 °C to +60 °C (-40 °F to +140 °F)
<b>EN50575 CPR Cable EuroClass Fire Performance</b>	B2ca
<b>EN50575 CPR Cable EuroClass Smoke Rating</b>	s1a
<b>EN50575 CPR Cable EuroClass Droplets Rating</b>	d0
<b>EN50575 CPR Cable EuroClass Acidity Rating</b>	a1
<b>Smoke Index Test Method</b>	IEC 61034
<b>Toxicity Index Test Method</b>	IEC 60754-2

## Packaging and Weights

<b>Cable weight</b>	0.06 kg/m   0.04 lb/ft
<b>Packaging Type</b>	Reel

# CNT-300A-SFR

---

## Regulatory Compliance/Certifications

Agency	Classification
CENELEC	EN 50575 compliant, Declaration of Performance (DoP) available
ISO 9001:2015	Designed, manufactured and/or distributed under this quality management system

