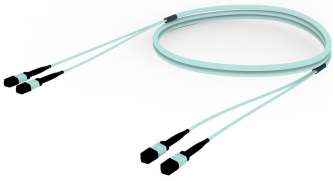


FJXMPMPAF

Base Product



OM4 MPO (Unpinned) to MPO (Unpinned), InstaPATCH® 360 Pre-terminated Trunk Cable, 24-Fiber, Low Smoke Zero Halogen

Product Classification

Regional Availability	Asia Australia/New Zealand China Europe India Latin America Middle East/Africa North America
Portfolio	CommScope®
Product Type	Fiber trunk cable assembly
Product Brand	SYSTIMAX InstaPATCH® 360
Ordering Note	For lengths greater than 999 ft (304 m), orders must be in meters Minimum length may vary based on cable configuration Not available in the United States or Canada

General Specifications

Color, boot A	Black
Color, connector A	Aqua
Color, boot B	Black
Color, connector B	Aqua
Construction Type	Stranded
Furcation Color	Aqua
Interface, Connector A	MPO-12/UPC Female
Interface, Connector B	MPO-12/UPC Female
Jacket Color	Aqua
Polarity	Method B (LL)
Fibers per Subunit, quantity	12
Total Fibers, quantity	24

Dimensions

Breakout Length	33 in
Cable Assembly Length Range (m)	3 – 999
Cable Assembly Length Range (ft)	10 – 999

FJXMPMPAF

Ordering Tree



Mechanical Specifications

Cable Retention Strength, maximum 11.24 lb @ 0 ° | 4.40 lb @ 90 °

Optical Specifications

Fiber Mode Multimode

Fiber Type OM4, LazrSPEED®

Environmental Specifications

Operating Temperature -10 °C to +60 °C (+14 °F to +140 °F)

Environmental Space Dual Rated LSZH/Riser | Indoor

Regulatory Compliance/Certifications

Agency	Classification
ANATEL	Compliant
CHINA-ROHS	Below maximum concentration value
ISO 9001:2015	Designed, manufactured and/or distributed under this quality management system
REACH-SVHC	Compliant as per SVHC revision on www.commscope.com/ProductCompliance
ROHS	Compliant
UK-ROHS	Compliant



Included Products

760067488 – Fiber indoor cable, LazrSPEED®, Low Smoke Zero Halogen Riser MPO Trunk, 24 fiber with 12

FJXMPMPAF

N-024-MP-5K-F12AQ/D		fiber subunits, Gel-free, Multimode OM4, Feet jacket marking, Aqua jacket color, Dca flame rating
760235871	-	LazrSPEED® Low Smoke Zero Halogen Riser MPO Trunk Cable, 24 fiber with 12 fiber subunits
N-024-MP-5K-F12BL/D		
860647054	-	MPO12, LOW LOSS, FEMALE, OM3/4, AQUA, 3mm

760067488 | N-024-MP-5K-F12AQ/D



Fiber indoor cable, LazrSPEED®, Low Smoke Zero Halogen Riser MPO Trunk, 24 fiber with 12 fiber subunits, Gel-free, Multimode OM4, Feet jacket marking, Aqua jacket color, Dca flame rating

Product Classification

Regional Availability	Asia Australia/New Zealand EMEA Latin America North America
Portfolio	CommScope®
Product Type	Fiber indoor cable
Product Series	N-MP

General Specifications

Cable Type	MPO trunk cable
Construction Type	Non-armored
Subunit Type	Gel-free
Jacket Color	Aqua
Jacket Marking	Feet
Subunit, quantity	2
Fibers per Subunit, quantity	12
Total Fiber Count	24

Dimensions

Height Over Jacket	5.2 mm 0.205 in
Width Over Jacket	8.2 mm 0.323 in
Buffer Tube/Subunit Diameter	3 mm 0.118 in

Representative Image



Mechanical Specifications

Minimum Bend Radius, loaded	78 mm 3.071 in
Minimum Bend Radius, unloaded	52 mm 2.047 in
Tensile Load, long term, maximum	200 N 44.962 lbf
Tensile Load, short term, maximum	667 N 149.948 lbf
Compression	10 N/mm 57.101 lb/in
Compression Test Method	FOTP-41 IEC 60794-1 E3
Flex	300 cycles
Flex Test Method	FOTP-104 IEC 60794-1 E6
Impact	5.88 N-m 52.042 in lb
Impact Test Method	FOTP-25 IEC 60794-1 E4
Strain	See long and short term tensile loads
Strain Test Method	FOTP-33 IEC 60794-1 E1
Twist	10 cycles
Twist Test Method	FOTP-85 IEC 60794-1 E7
Vertical Rise, maximum	491 m 1,610.892 ft

Optical Specifications

Fiber Type	OM4, LazrSPEED® 550 OM4, LazrSPEED® 550
-------------------	---

Environmental Specifications

Installation temperature	-20 °C to +60 °C (-4 °F to +140 °F)
---------------------------------	-------------------------------------

760067488 | N-024-MP-5K-F12AQ/D

Operating Temperature	-20 °C to +70 °C (-4 °F to +158 °F)
Storage Temperature	-40 °C to +70 °C (-40 °F to +158 °F)
Cable Qualification Standards	ANSI/ICEA S-83-596 Telcordia GR-409
EN50575 CPR Cable EuroClass Fire Performance	Dca
EN50575 CPR Cable EuroClass Smoke Rating	s1a
EN50575 CPR Cable EuroClass Droplets Rating	d1
EN50575 CPR Cable EuroClass Acidity Rating	a1
Environmental Space	Low Smoke Zero Halogen (LSZH) Riser
Flame Test Listing	NEC OFNR-ST1 (ETL) and c(ETL)
Flame Test Method	IEC 60332-3 IEC 60754-2 IEC 61034-2 UL 1666 UL 1685

Environmental Test Specifications

Heat Age	-20 °C to +85 °C (-4 °F to +185 °F)
Heat Age Test Method	IEC 60794-1 F9
Low High Bend	-20 °C to +70 °C (-4 °F to +158 °F)
Low High Bend Test Method	FOTP-37 IEC 60794-1 E11
Temperature Cycle	-20 °C to +70 °C (-4 °F to +158 °F)
Temperature Cycle Test Method	FOTP-3 IEC 60794-1 F1

Packaging and Weights

Cable weight	42 kg/km 28.223 lb/kft
---------------------	--------------------------

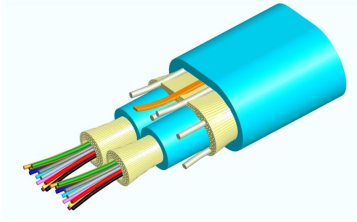
Regulatory Compliance/Certifications

Agency	Classification
CENELEC	EN 50575 compliant, Declaration of Performance (DoP) available
CHINA-ROHS	Below maximum concentration value
ISO 9001:2015	Designed, manufactured and/or distributed under this quality management system
REACH-SVHC	Compliant as per SVHC revision on www.commscope.com/ProductCompliance
ROHS	Compliant
UK-ROHS	Compliant



* Footnotes

Operating Temperature Specification applicable to non-terminated bulk fiber cable



LazrSPEED® Low Smoke Zero Halogen Riser MPO Trunk Cable, 24 fiber with 12 fiber subunits

Product Classification

Regional Availability	Asia Australia/New Zealand EMEA Latin America North America
Portfolio	CommScope®
Product Type	Fiber indoor cable
Product Series	N-MP

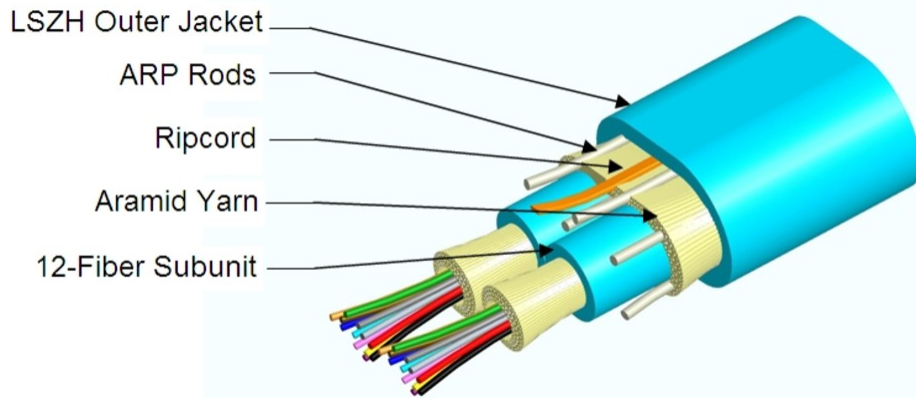
General Specifications

Cable Type	MPO trunk cable
Construction Type	Non-armored
Subunit Type	Gel-free
Jacket Color	Blue
Jacket Marking	Feet
Subunit, quantity	2
Fibers per Subunit, quantity	12
Total Fiber Count	24

Dimensions

Height Over Jacket	5.2 mm 0.205 in
Width Over Jacket	8.2 mm 0.323 in
Buffer Tube/Subunit Diameter	3 mm 0.118 in

Representative Image



Mechanical Specifications

Minimum Bend Radius, loaded	78 mm 3.071 in
Minimum Bend Radius, unloaded	52 mm 2.047 in
Tensile Load, long term, maximum	200 N 44.962 lbf
Tensile Load, short term, maximum	667 N 149.948 lbf
Compression	10 N/mm 57.101 lb/in
Compression Test Method	FOTP-41 IEC 60794-1 E3
Flex	300 cycles
Flex Test Method	FOTP-104 IEC 60794-1 E6
Impact	5.88 N-m 52.042 in lb
Impact Test Method	FOTP-25 IEC 60794-1 E4
Strain	See long and short term tensile loads
Strain Test Method	FOTP-33 IEC 60794-1 E1
Twist	10 cycles
Twist Test Method	FOTP-85 IEC 60794-1 E7
Vertical Rise, maximum	491 m 1,610.892 ft

Optical Specifications

Fiber Type	OM4, LazrSPEED® 550 OM4, LazrSPEED® 550
-------------------	---

Environmental Specifications

Installation temperature	-20 °C to +60 °C (-4 °F to +140 °F)
---------------------------------	-------------------------------------

760235871 | N-024-MP-5K-F12BL/D

Operating Temperature	-20 °C to +70 °C (-4 °F to +158 °F)
Storage Temperature	-40 °C to +70 °C (-40 °F to +158 °F)
Cable Qualification Standards	ANSI/ICEA S-83-596 Telcordia GR-409
EN50575 CPR Cable EuroClass Fire Performance	Dca
EN50575 CPR Cable EuroClass Smoke Rating	s1a
EN50575 CPR Cable EuroClass Droplets Rating	d1
EN50575 CPR Cable EuroClass Acidity Rating	a1
Environmental Space	Low Smoke Zero Halogen (LSZH) Riser
Flame Test Listing	NEC OFNR-ST1 (ETL) and c(ETL)
Flame Test Method	IEC 60332-3 IEC 60754-2 IEC 61034-2 UL 1666 UL 1685

Environmental Test Specifications

Heat Age	-20 °C to +85 °C (-4 °F to +185 °F)
Heat Age Test Method	IEC 60794-1 F9
Low High Bend	-20 °C to +70 °C (-4 °F to +158 °F)
Low High Bend Test Method	FOTP-37 IEC 60794-1 E11
Temperature Cycle	-20 °C to +70 °C (-4 °F to +158 °F)
Temperature Cycle Test Method	FOTP-3 IEC 60794-1 F1

Packaging and Weights

Cable weight	42 kg/km 28.223 lb/kft
---------------------	--------------------------

Regulatory Compliance/Certifications

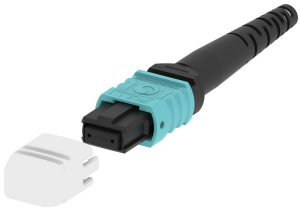
Agency	Classification
CENELEC	EN 50575 compliant, Declaration of Performance (DoP) available
CHINA-ROHS	Below maximum concentration value
ISO 9001:2015	Designed, manufactured and/or distributed under this quality management system
REACH-SVHC	Compliant as per SVHC revision on www.commscope.com/ProductCompliance
ROHS	Compliant
UK-ROHS	Compliant



* Footnotes

Operating Temperature Specification applicable to non-terminated bulk fiber cable

860647054



MPO12, LOW LOSS, FEMALE, OM3/4, AQUA, 3mm

Product Classification

Regional Availability	Asia Australia/New Zealand EMEA Latin America North America
Portfolio	CommScope®
Product Type	Fiber connector

General Specifications

Color	Aqua
Color, boot	Black
Ferrule Geometry	Flat
Interface	MPO/UPC Female
Interface Feature	Unpinned
Total Fiber Count	12

Dimensions

Length	60.1 mm 2.366 in
Compatible Cable Diameter	3 mm 0.118 in

Material Specifications

Ferrule Material	Polymer
-------------------------	---------

Mechanical Specifications

Cable Retention Strength, maximum	11.24 lb @ 0 °
--	----------------

Optical Specifications

Fiber Mode	Multimode
Fiber Type	OM3 OM4
Insertion Loss Change, mating	0.2 dB
Optical Components Standard	ANSI/TIA-568-C.3

860647054

Insertion Loss Change, temperature	0.2 dB
Insertion Loss, maximum	0.27 dB
Return Loss, minimum	27 dB

Packaging and Weights

Packaging quantity	1
---------------------------	---

Regulatory Compliance/Certifications

Agency	Classification
ISO 9001:2015	Designed, manufactured and/or distributed under this quality management system

* Footnotes

Insertion Loss Change, mating	TIA-568: Maximum insertion loss change after 500 matings
Insertion Loss Change, temperature	Maximum insertion loss change from -10 °C to +60 °C (+14 °F to +140 °F)