

243951



Mounting/Grounding Bracket

Product Classification

- Product Type** Surge arrestor accessory
- Ordering Note** CommScope® non-standard product

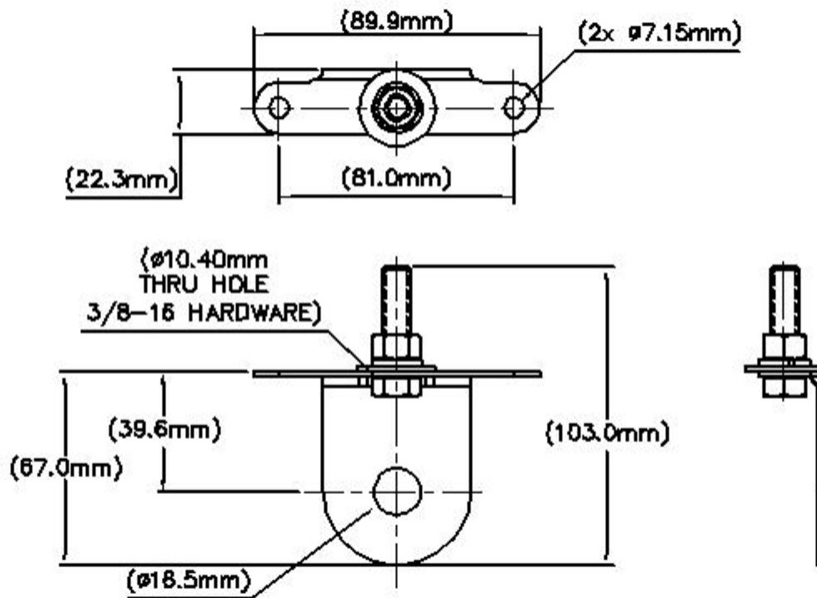
General Specifications

- Interface** N Female Bulkhead

Dimensions

- Height** 67 mm | 2.638 in
- Width** 22.3 mm | 0.878 in
- Length** 89.9 mm | 3.539 in

Outline Drawing



Packaging and Weights

Packaging quantity 1

Weight, net 110 g | 0.243 lb

Regulatory Compliance/Certifications

Agency

ISO 9001:2015

REACH-SVHC

ROHS

Classification

Designed, manufactured and/or distributed under this quality management system

Compliant as per SVHC revision on www.commscope.com/ProductCompliance

Compliant

