

MLOC-F1XM-4



HELIAX® M-LOC Multiport cluster 4 ports SureFlex® cable assembly with interface type M-LOC latching male, size 1/4", variable length

Product Classification

Product Type	HELIAX® MLOC cluster, SureFlex® D-CLASS, dynamic PIM
Product Brand	HELIAX® SureFlex®
Product Series	MLOC

General Specifications

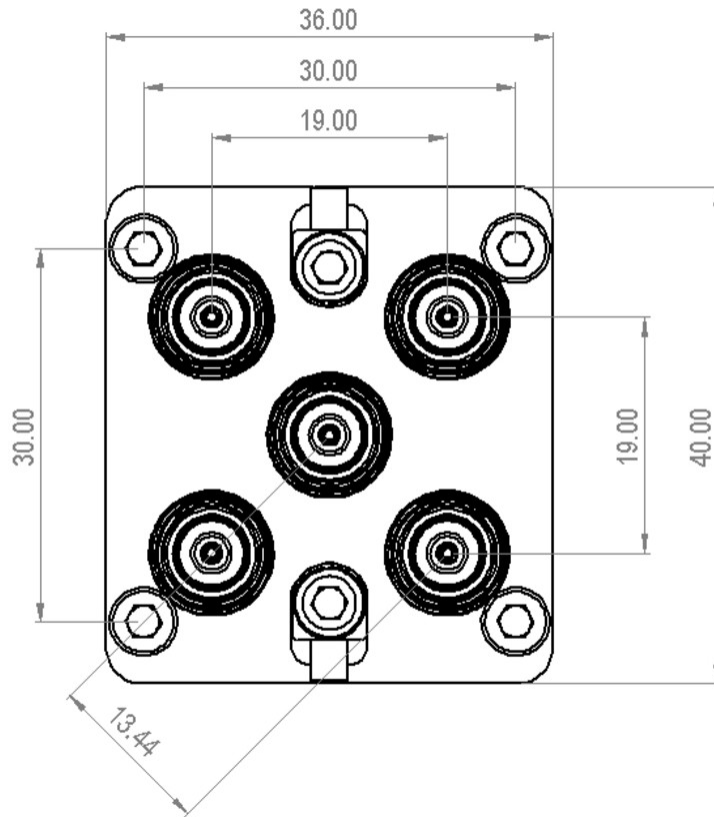
Attachment, Connector A	Factory attached
Body Style, Connector A	Straight
Interface, Connector A	M-LOC Male

Dimensions

Nominal Size	1/4 in
---------------------	--------

Outline Drawing

MLOC-F1XM-4



Electrical Specifications

3rd Order IMD at Frequency	-119 dBm @ 1800 MHz
3rd Order IMD Test Method	Two +43 dBm carriers

VSWR/Return Loss

Frequency Band	Gated VSWR	Gated Return Loss (dB)
1000–3000 MHz	1.07	30
3000–4200 MHz	1.11	26
4200–5000 MHz	1.12	25

Mechanical Specifications

Minimum Bend Radius, multiple Bends	25.4 mm 1 in
Minimum Bend Radius, single Bend	25.4 mm 1 in

MLOC-FIXM-4

Environmental Specifications

Installation temperature	-40 °C to +60 °C (-40 °F to +140 °F)
Operating Temperature	-55 °C to +85 °C (-67 °F to +185 °F)
Storage Temperature	-55 °C to +85 °C (-67 °F to +185 °F)
Immersion Test Method	IEC 60068-2-17

Regulatory Compliance/Certifications

Agency

ISO 9001:2015



Classification

Designed, manufactured and/or distributed under this quality management system