

TFAH-US6B-34



ION®-B Series High Power Remote Unit for LMR 700, LMR 800, Cellular 850, LMR 900, AWS, and PCS 1900

OBSOLETE

Replaced By:

TFAH-US7B-34

ION®-B Series High Power Remote Unit for Cellular 700, LMR 800, Cellular 850, LMR 900, AWS, PCS 1900, and WiMAX

Product Classification

Product Type Remote unit

Product Brand ION®-B

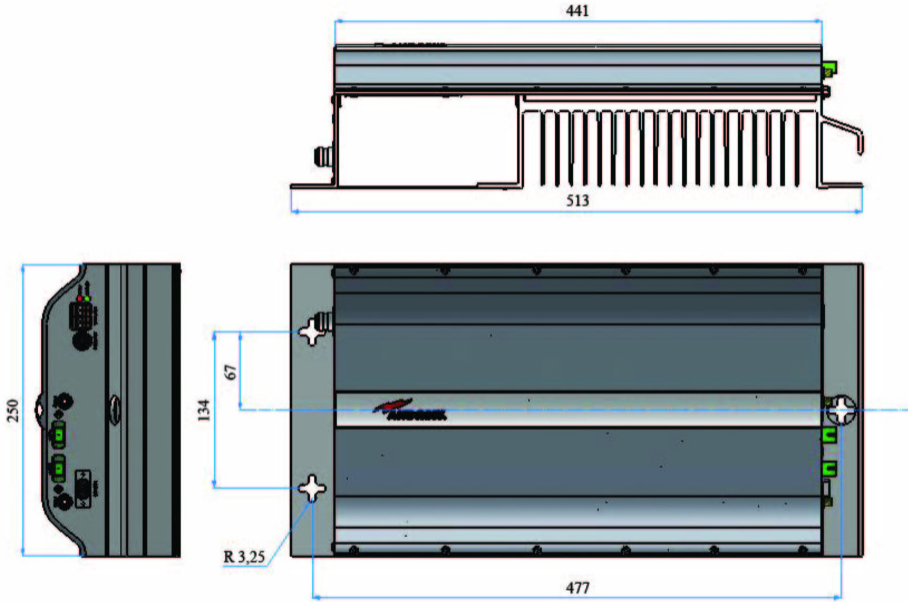
General Specifications

Note Detailed Product Specifications are available. Please contact your local CommScope representative.

Power Type High

Dimension Drawing

TFAH-US6B-34



Electrical Specifications

Impedance

50 ohm

License Band

AWS | CEL 850 | LMR 700 | LMR 800 | LMR 900 | PCS 1900 Extended

Voltage Range

-60 to -38 Vdc

Electrical Specifications, Rx (Uplink)

Operating Frequency Band

1710 – 1755 MHz (AWS 1700) | 1850 – 1915 MHz (PCS 1900 Extended) | 799 – 806 MHz (LMR 700) | 806 – 824 MHz (LMR 800) | 824 – 848.5 MHz (Cellular 850) | 896.5 – 902 MHz (LMR 900)

Electrical Specifications, Tx (Downlink)

Operating Frequency Band

1930 – 1995 MHz (PCS 1900 Extended) | 2110 – 2155 MHz (AWS 1700) | 769 – 775 MHz (LMR 700) | 851.5 – 869 MHz (LMR 900)

TFAH-US6B-34

800) | 869 – 893.5 MHz (Cellular 850) | 935 – 941 MHz (LMR 900)

Regulatory Compliance/Certifications

Agency

ISO 9001:2015

**Classification**

Designed, manufactured and/or distributed under this quality management system

Included Products

TPSN3/28-100 – ION® Power Supply Adapter ION®-B Series Remote Units, 100 W